

Atlas Copco

Oil-free compressors



ZR 55VSD

Serial Number: API797101

Parts List



Atlas Copco

Oil-free compressors

ZR 55VSD

Serial Number: API797101

Parts List

Edition: 2

Copyright, Atlas Copco Airpower n.v., Antwerp, Belgium.
Any unauthorized use or copying of the contents or any part thereof is prohibited. This applies in particular to trademarks, model denominations, part numbers and drawings.

Use only authorized parts. Any damage or malfunction caused by the use of unauthorized parts is not covered by Warranty or Product Liability.

Instructions	2
1 Service Kits	16
2 Element & Drive Arrangement	20
3 Gear set	22
4 Motor Assembly - 380/400/460 V.....	24
5 Mount on Frame	26
6 Mount On Gearcasing	28
7 Breather	30
8 Oil Pump	32
9 Air Filter	34
10 Air system.....	36
10.1 Inlet Throttle Valve - ZR37/55 VSD.....	36
10.2 Air Flow - ZR55 VSD.....	40
10.3 Pulsation damper.....	44
10.4 Air Outlet - ZR37/55 VSD PACK Reduced Ambient Condition.....	46
10.5 Coupling and Valve - ZR/ZT-37/55 VSD -IEC.....	48
12 Cooling system.....	50
12.1 Cooler and mounting - ZR37/55 VSD.....	50
13 Oil system - ZR37/55 VSD.....	54
14 Regulation System.....	56
14.1 Mechanical - ZR37/55 VSD.....	56
14.2 Mechanical & electrical - ZR37/55 VSD.....	58
15 Drain System - ZR37/55 VSD PACK.....	60
16 Electrical.....	62
16.1 Cubicle - ZR/T 37/55 VSD - ID - 380/460V -60Hz, 400V -50Hz.....	62
16.2 Cubicle plugin - PACK - IEC.....	66
16.3 Dryer rail - IEC.....	68
16.4 Connectors.....	70
17 Common bodywork - ZR37/55 VSD.....	72
18 Bodywork - ZR37/55 VSD - PACK.....	74
19 Marking.....	78
19.1 General	78
19.2 Decal - Pack.....	80
20 Standard option.....	82
20.1 Anchor Pad.....	82
20.2 ANSI flange.....	84
20.3 Main Switch.....	86
20.4 Flange Inlet.....	88
20.5 Water Shutt Off Valve.....	90

EN - English

1 ORDERING PARTS

Always specify the part number, the name and quantity of the required items, as well as the type and serial number of the machine.

2 COLUMN INFORMATION

Ref - Reference number: links a specific part from the list to the drawing. Only parts with a reference number are shown in the drawing. Parts in the drawing without a reference number are simply there to illustrate the assembly.

Part number - Part number to be used when ordering spare parts.

When no part number is specified, the component is not available as a spare part.

Parts which are contained in a kit will have the kit number mentioned on the line below. For complete content of the kit see chapter "1 - Service kits".

A part number preceded by a black dot is comprised in the assembly right above.

Remarks: Additional information to the part number right above.

Substituted by: The part number right above has been replaced by another part number due to an update or revision.

Qty - Quantity: Indicates the number of parts in relation to the corresponding reference number. „AR“ means „As required“: quantity or number to be determined.

Name - Part name: Translations of the English names can be found in document "Glossary of part names".

Validity - Defines the timeframe and type/version of the machines the part is valid for. Clarification of the codes used in the validity pattern can be found in the legend at the bottom of the page. A validity pattern mentioned in the chapter title applies to the whole chapter. A plus sign in the pattern is to be interpreted as 'and', a comma as 'or'. Parentheses group the validity codes, similarly to mathematical parentheses, see following example:

'PRESS:8BAR + (FREQ:50HZ+MOVOL:500V , FREQ:60HZ+MOVOL:575V)' is valid for machines with 8 bar working pressure and 50Hz frequency and 500V supply voltage, or 8 bar working pressure and 60Hz frequency and 575V supply voltage.

EL – Reference to the drawing or the component inside the electric cubicle.

R. – Remarks: Extra information about the part. Explanation can be found at the bottom of the page.

BG - български

1 ПОРЪЧКА НА ЧАСТИ

Винаги цитирайте номера на частта, наименованието и количеството на необходимите изделия, както и типа и серийния номер на машината.

2 ИНФОРМАЦИЯ В КОЛОНИТЕ

Ref - Референтен номер: свързва дадена част от списъка с чертежа. На чертежа са показани само части с референтен номер.

Частите на чертежа без референтен номер са там, единствено за да се покаже възелът.

Part number - Номер на частта, който да се използва при поръчката на резервни части.

Ако не е посочен номер на частта, компонентът не се предлага като резервна част.

Частите, които се съдържат в даден комплект, ще включват номер на комплекта на долния ред. За пълното съдържание на комплекта вижте глава „1 – Service kits“.

Номер на част, пред който има черна точка, се съдържа във възела непосредствено по-горе.

Remarks: Допълнителна информация за частта – непосредствено по-горе.

Substituted by: Номерът на частта непосредствено по-горе е заменен от друг номер на частта поради актуализация или ревизия.

Qty - Количество: Посочва броя на частите във връзка със съответния референтен номер. „AR“ означава „Според нуждата“: количеството или броят ще бъдат определени допълнително.

Name - Име на частта: превод на английските имена можете да откриете в документа „Glossary of part names“.

Validity - Определя периода и типа/версията на машините, за които частта е валидна. Обяснение на елементите от кода, използвани в кода за валидността, можете да откриете в легендата в долната част на страницата. Кодът за валидността, посочен в заглавието на главата, се отнася за цялата глава. Знакът плюс в кода се приема за „и“, а запетаята – за „или“. Скобите групират елементите на кодовете за валидност подобно на математическите скоби, вижте следния пример:

„PRESS:8BAR + (FREQ:50HZ+MOVOL:500V , FREQ:60HZ+MOVOL:575V)“ е валидно за машини с работно налягане 8 bar, честота 50 Hz и захранващо напрежение 500 V или работно налягане 8 bar, честота 60 Hz и захранващо напрежение 575 V.

EL – Референция към чертежа или компонента в електрическата кутия.

R.. – Забележки: допълнителна информация относно частта. Обяснения можете да намерите в долната част на страницата.

RO - român

1 COMANDAREA PIESELOR

Indicați întotdeauna numărul de catalog, numele și cantitatea articolelor solicitate, precum și tipul și numărul de serie al mașinii.

2 INFORMAȚIILE DIN COLOANE

Ref. - Numărul de referință: face legătura între o piesă din listă și una din schemă. Numai piesele care au un număr de referință apar în schemă. Piesele din schemă care nu au un număr de referință sunt incluse doar pentru a clarifica modul de asamblare.

Part number - Numărul de catalog este utilizat pentru comandarea pieselor de schimb.

Atunci când nu este specificat un număr de catalog, componenta nu este disponibilă ca piesă de schimb.

Pentru piesele incluse în kituri, numărul kitului este menționat pe rândul următor. Pentru conținutul complet al kitului, consultați capitolul „1 – Service kits”.

Un număr de catalog precedat de un punct negru este inclus în ansamblul aflat chiar deasupra acestuia.

Remarks: Informații suplimentare privind numărul de catalog de mai sus.

Substituted by: Numărul de catalog de mai sus a fost înlocuit de un alt număr de catalog din cauza unei actualizări sau a unei revizuirii.

Qty - Cantitate: indică numărul de piese care au numărul de referință corespunzător. „AR” este abrevierea pentru „As required”: cantitatea și numărul vor fi determinate conform necesităților.

Name - Numele piesei: traduceri numelor din engleză se află în documentul „Glossary of part names”.

Validity - Definește perioada de valabilitate și tipul/versiunea utilajelor cu care piesa este compatibilă. Clarificarea codurilor utilizate în modelul de valabilitate poate fi găsită în legenda din partea de jos a paginii. Un model de valabilitate menționat în titlul unui capitol se aplică întregului capitol. Un semn plus care apare într-un model va fi interpretat drept „și”, virgulă ori „sau”.

Codurile de valabilitate sunt grupate cu ajutorul unor paranteze având o funcție similară parantezelor matematice, a se vedea exemplul de mai jos:

„PRESS:8BAR + (FREQ:50HZ+MOVOL:500V , FREQ:60HZ+MOVOL:575V)” indică valabilitatea pentru utilajele cu presiune de lucru de 8 bari, frecvență de 50 Hz și tensiune de alimentare de 500 V sau presiune de lucru de 8 bari, frecvență de 60 Hz și tensiune de alimentare de 575 V.

EL – Referire la schemă sau la componenta din cofretul electric.

R. – Observații: informații suplimentare privind piesa. Explicațiile pot fi găsite în partea de jos a paginii.

RU - русский

1 ЗАКАЗ ДЕТАЛЕЙ

Всегда указывайте номер по каталогу, наименование и количество требуемых позиций, а также тип и серийный номер машины.

2 ИНФОРМАЦИЯ

Ref - Ссылочный номер: соотносит деталь из списка со схемой. На схеме показаны только детали со ссылочным номером. Детали без ссылочного номера приведены на схемах только для демонстрации всего узла в сборе.

Part number - Номер детали, указываемый при заказе запасных частей.

Если номер детали не указан, то компонент недоступен в качестве отдельной запасной части.

Для деталей, входящих в состав комплекта, будут приведены номера этих комплектов, упомянутых строчкой ниже.

Чтобы узнать полный состав комплекта см. раздел “1 – Service kits”.

Деталь, перед номером которой стоит черная точка, входит в состав изображенного выше узла.

Remarks: дополнительная информация о номере приведенной выше детали.

Substituted by: номер изображенной выше детали был заменен другим номером по причине обновления или переработки.

Qty - Количество: указывает количество деталей относительно соответствующего ссылочного номера. „AR“ значит „As required”: количество или номер будут определены.

Name - Наименование детали: перевод англоязычных наименований можно найти в документе “Glossary of part names”(Словарь наименований деталей).

Validity - Определяет временные рамки и тип/версию машины, в которой используется деталь. Пояснение кодов, используемых в данной графе, можно найти в списке обозначений внизу страницы. Информация о совместимости, упомянутая в данной главе, актуальна для всей главы. Знак плюса в примечании о совместимости следует принимать за ‘и’, запятые — за ‘или’. Скобки группируют коды совместимости по принципу, схожему с математическим. См. пример: ‘PRESS:8BAR + (FREQ:50HZ+MOVOL:500V , FREQ:60HZ+MOVOL:575V)’ применима в машинах с рабочим давлением 8 бар, частотой 50 Гц и напряжением источника питания 500 В или рабочим давлением 8 бар, частотой 60 Гц и напряжением источника питания 575 В.

EL – Ссылка на схему или компонент электрического шкафа.

R. – Примечания: дополнительная информация о детали. Пояснения приведены внизу страницы.

2901 1105 00 - AIR/OIL F.KIT

Qty	Name
• 1	SEAL
• 1	OIL FILTER
• 1	ELEMENT(AIRFILTER)
• 1	WASHER M20
• 1	INSTRUCTION

2901 1102 00 - INLET VALVE OVERHAUL KIT

Qty	Name
• 1	PIN ROLL 3MM X
• 1	EXT.CIRCLIP
• 1	BUSHING
• 1	BEARING
• 5	WASHER M10
• 1	SPRING
• 1	VALVES
• 1	WASHER M26
• 1	LOCK NUT M10
• 1	INSTRUCTION

2901 1101 00 - INLET VALVE OVERHAUL KIT

Qty	Name
• 1	MEMBRANE
• 1	DIAPHRAGM
• 1	O-RING
• 1	MUFFLER
• 1	WASHER M26
• 1	INSTRUCTION
• 1	SHAFT VALVE
• 1	EXT.CIRCLIP

2901 1864 00 - CHECK VALVE KIT(Z2008)

Qty	Name
• 2	O-RING
• 2	O-RING 76X3
• 1	CHECK VALVE
• 1	SPRING
• 1	BUSHING

2901 1115 00 - BREATHER KIT ZT15-22

Qty	Name
• 1	PD 6 FILTER KIT
• 1	FILTER ELEMENT
• 1	O-RING
• 2	O-RING
• 1	SERVICE DIAGRAM

2901 1108 00 - OIL PUMP KIT

Qty	Name
• 1	PIN
• 1	WASHER M26
• 1	O-RING

continues on next page ...

... continued from previous page

2901 1108 00 - OIL PUMP KIT

Qty	Name
• 1	O-RING 35.2X3
• 1	ECCENTRIC RING
• 1	OIL PUMP
• 2	DISC SPRING
• 1	PARALLEL KEY
• 1	O-RING 36.2X3
• 1	RING
• 1	SERVICE DIAGRAM
• 1	

2901 1865 00 - HP EL EXCHANGE KIT(Z2008)

Qty	Name
• 1	O-RING 260.2X5
• 1	O-RING 10.11X2.4
• 1	O-RING 57.2 X 3
• 1	O-RING
• 2	SEAL
• 1	O-RING
• 1	O-RING
• 1	HEX SOCK. SCREW
• 1	O-RING
• 1	SEAL
• 2	RING SPRING
• 1	WASHER
• 1	O-RING
• 1	INSTR.
• 1	INSTRUCTION

2901 1866 00 - LP EXCHANGE KIT(Z2008)

Qty	Name
• 1	O-RING 315X4
• 1	WASHER M16
• 1	O-RING
• 1	HEX SOCK. SCREW
• 1	O-RING
• 1	SEAL
• 1	O-RING
• 1	WASHER
• 1	SEAL
• 1	INSTR.
• 1	INSTRUCTION

2901 1112 00 - DRIVE SHAFT BEAR. KIT

Qty	Name
• 2	BALL BEARING
• 1	O-RING
• 1	O-RING
• 1	O-RING 35.2X3
• 1	RADIAL LIP SEAL
• 1	BUSHING
• 1	O-RING

continues on next page ...

... continued from previous page

2901 1112 00 - DRIVE SHAFT BEAR. KIT

Qty	Name
• 1	O-RING 36.2X3
• 1	INSTRUCTION

3001 1503 20 - KIT COOLER ZR

Qty	Name
• 1	PLUG 1/8 A A
• 2	PLUG 1/4 A A
• 2	WASHER
• 4	O-RING COOLER
• 1	DIVISION RIB
• 1	RIB JOINT
• 2	O-RING
• 0	KIT COOLER

2901 1867 00 - COOLER KIT ZT(Z2008)

Qty	Name
• 4	VIBRATION DAMPER
• 2	VIBRATION DAMPER
• 1	SEAL
• 2	O-RING
• 1	O-RING 57.2 X 3
• 1	INSTRUCTION

2901 0633 20 - Wearing parts EWD 330 - For Pack (Qty = 2) / For Full Feature ID (Qty = 3) / For Full Feature IMD (Qty = 4)

Qty	Name
• 0	OVERVIEW SERVICE KITS

2901 1874 00 - PM KIT B Pack(Z2008)

Qty	Name
• 1	PM KIT (A)
• 1	INLET VALVE OVERHAUL KIT

2901 1122 00 - PM KIT (A)

Qty	Name
• 1	KIT FILTER AIR+OIL
• 1	BREATHER KIT ZT15-22

2901 9176 00 - PM KIT C

Qty	Name
• 1	PM KIT B Pack(Z2008)
• 1	CHECK VALVE KIT(Z2008)
• 1	INLET VALVE OVERHAUL KIT
• 8	COUPLING ELEMENT

2901 1601 00 - SERV.KIT 8000HRS

Qty	Name
• 1	STRAINER MD50/100A
• 1	DEMISTER-MD50-100/AIQ
• 1	RING SEAL
• 1	O-RING

continues on next page ...

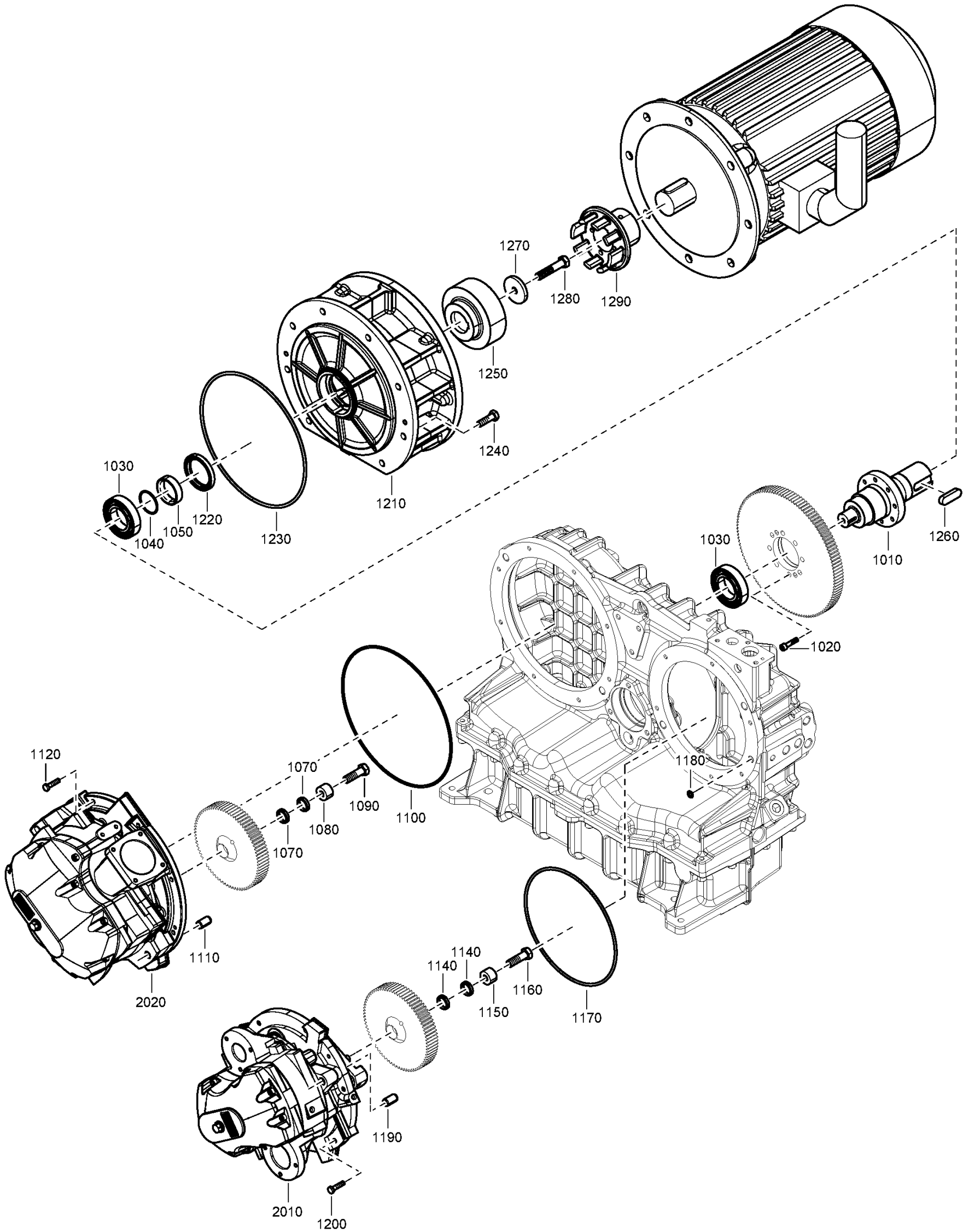
... continued from previous page

2901 1601 00 - SERV.KIT 8000HRS
















	Qty	Name
•	1	O-RING 67X3
•	2	WASHER M12
•	1	O-RING
•	1	SEALING RING MD50/100
•	1	SERVICE DIAGRAM
•	2	O-RING
•	1	O-RING
•	2	O-RING
•	1	SEAL

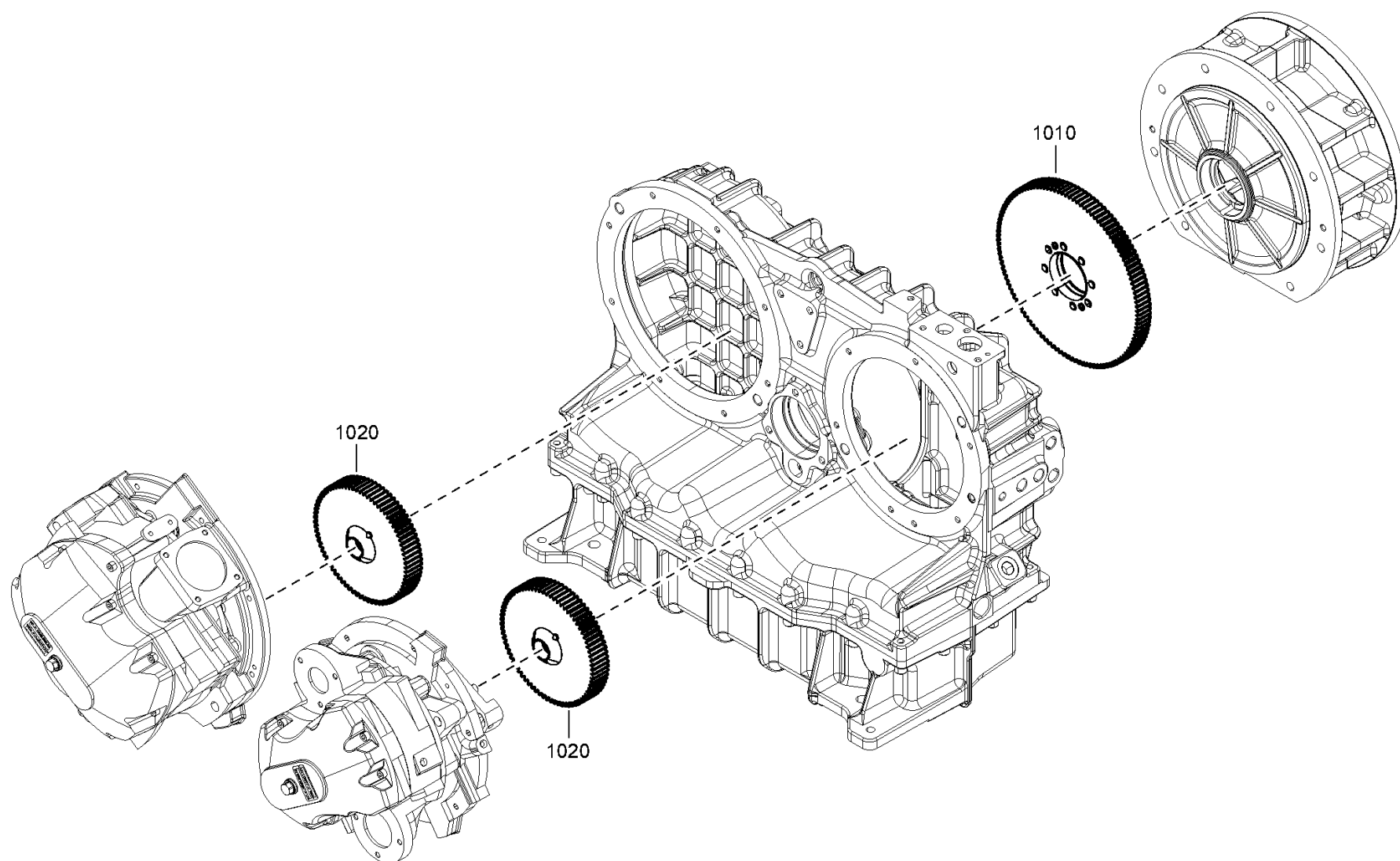
2901 9177 00 - PM KIT D

	Qty	Name
•	1	PM KIT C
•	1	OIL PUMP KIT
•	1	HP EL EXCHANGE KIT(Z2008)
•	1	LP EXCHANGE KIT(Z2008)
•	2	ANTIVIBR.PAD
•	1	VIBR. DAMPER
•	1	DRIVE SHAFT BEAR. KIT



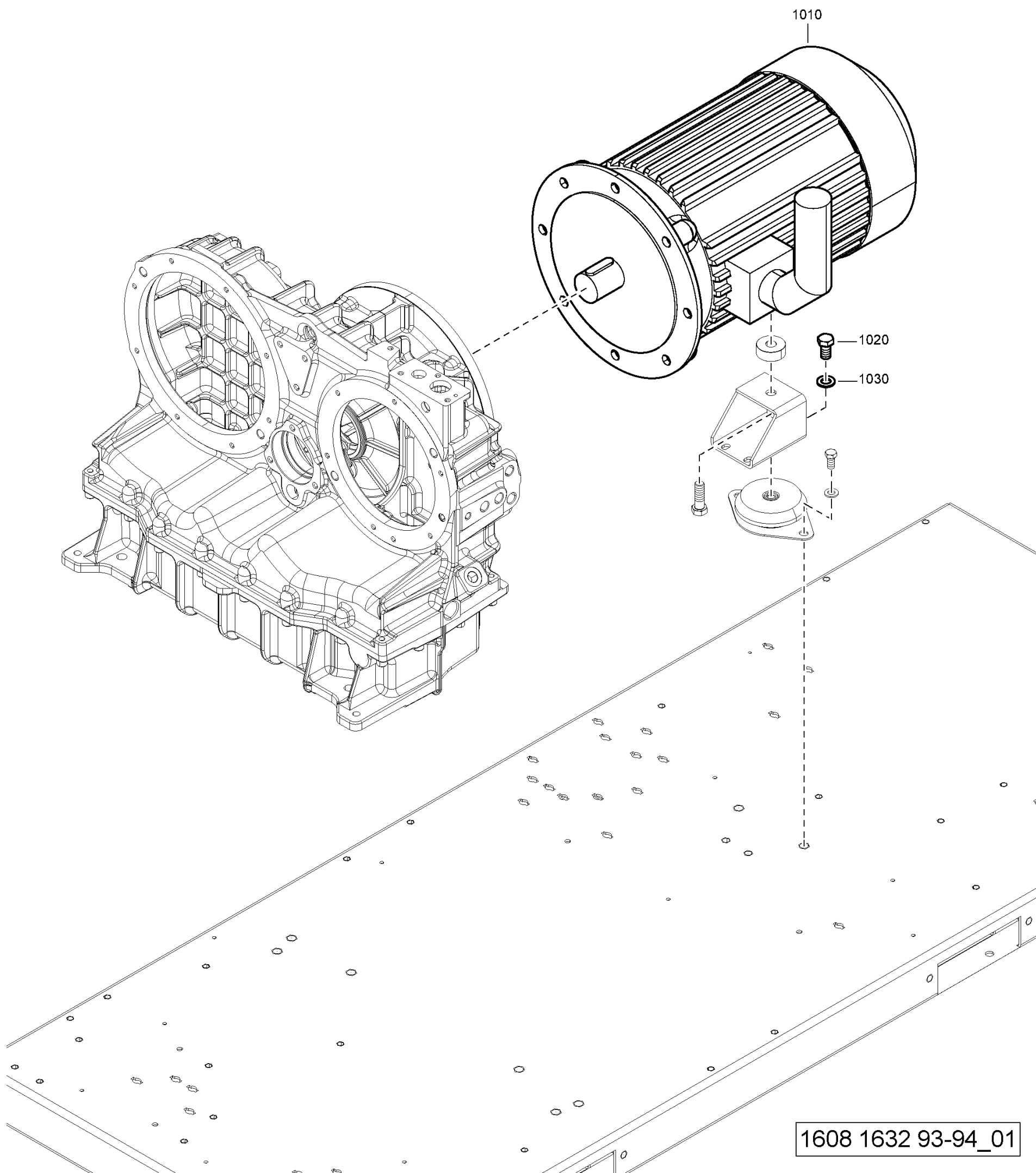
1608 0901 51-52-1608 0903 01_01

Ref	Part Number	Qty	Name
1010	1622 1140 00	1	DRIVE SHAFT Z30-50VSD
1020	0211 1327 00	8	HEX. SOCK M8X35X12.9
1030		2	BALL BEARING
	 Service kits:		2901 9177 00 - PM KIT D 2901 1112 00 - DRIVE SHAFT BEAR. KIT
1040		1	O-RING 47.3X2.62
	 Service kits:		2901 1112 00 - DRIVE SHAFT BEAR. KIT 2901 9177 00 - PM KIT D
1050		1	BUSHING
	 Service kits:		2901 1112 00 - DRIVE SHAFT BEAR. KIT 2901 9177 00 - PM KIT D
1070		2	RING SPRING
	 Service kits:		2901 1865 00 - HP EL EXCHANGE KIT(Z2008) 2901 9177 00 - PM KIT D
1080		1	WASHER
	 Service kits:		2901 1865 00 - HP EL EXCHANGE KIT(Z2008) 2901 1866 00 - LP EXCHANGE KIT(Z2008) 2901 9177 00 - PM KIT D
1090		1	HEX. SOCK M12X60X12.9
	 Service kits:		2901 1865 00 - HP EL EXCHANGE KIT(Z2008) 2901 1866 00 - LP EXCHANGE KIT(Z2008) 2901 9177 00 - PM KIT D
1100		1	O-RING 315X4
	 Service kits:		2901 1866 00 - LP EXCHANGE KIT(Z2008) 2901 9177 00 - PM KIT D
1110	0101 1621 00	2	PIN
1120	0147 1326 03	8	HEX. BOLT M8X30X8.8
1140		2	RING SPRING
	 Service kits:		2901 1865 00 - HP EL EXCHANGE KIT(Z2008) 2901 9177 00 - PM KIT D
1150		1	WASHER
	 Service kits:		2901 1865 00 - HP EL EXCHANGE KIT(Z2008) 2901 1866 00 - LP EXCHANGE KIT(Z2008) 2901 9177 00 - PM KIT D
1160		1	HEX. SOCK M12X60X12.9
	 Service kits:		2901 1865 00 - HP EL EXCHANGE KIT(Z2008) 2901 1866 00 - LP EXCHANGE KIT(Z2008) 2901 9177 00 - PM KIT D
1170		1	O-RING 260.2X5
	 Service kits:		2901 1865 00 - HP EL EXCHANGE KIT(Z2008) 2901 9177 00 - PM KIT D
1180		1	O-RING 10.11X2.4
	 Service kits:		2901 1865 00 - HP EL EXCHANGE KIT(Z2008) 2901 9177 00 - PM KIT D
1190	0101 1621 00	2	PIN
1200	0147 1326 03	6	HEX. BOLT M8X30X8.8
1210	1622-5994-00	1	HOUSING COUPL.
	 Substituted by:		1622 2675 00 - COUPLING HOUSING (quantity: 1)
1220		1	RADIAL LIP SEAL
	 Service kits:		2901 1112 00 - DRIVE SHAFT BEAR. KIT 2901 9177 00 - PM KIT D
1230		1	O-RING 299.3X5.7
	 Service kits:		2901 1112 00 - DRIVE SHAFT BEAR. KIT 2901 9177 00 - PM KIT D
1240	0147 1403 03	8	HEX. BOLT M12X40X8.8
1250	1622 1136 00	1	COUPLING HALF (COMP) Z30-50VSD
1260	0337 8229 00	1	PARALLEL KEY
1270	1613 4128 00	1	WASHER 14
1280	0147 1407 03	1	HEX. BOLT M12X60X8.8
1290	1622 1135 00	1	COUPLING HALF (MOTOR)Z30-50VSD
2010	1616 7271 81	1	ELEMENT HP T2
2020	1616 7275 81	1	ELEMENT LP T3

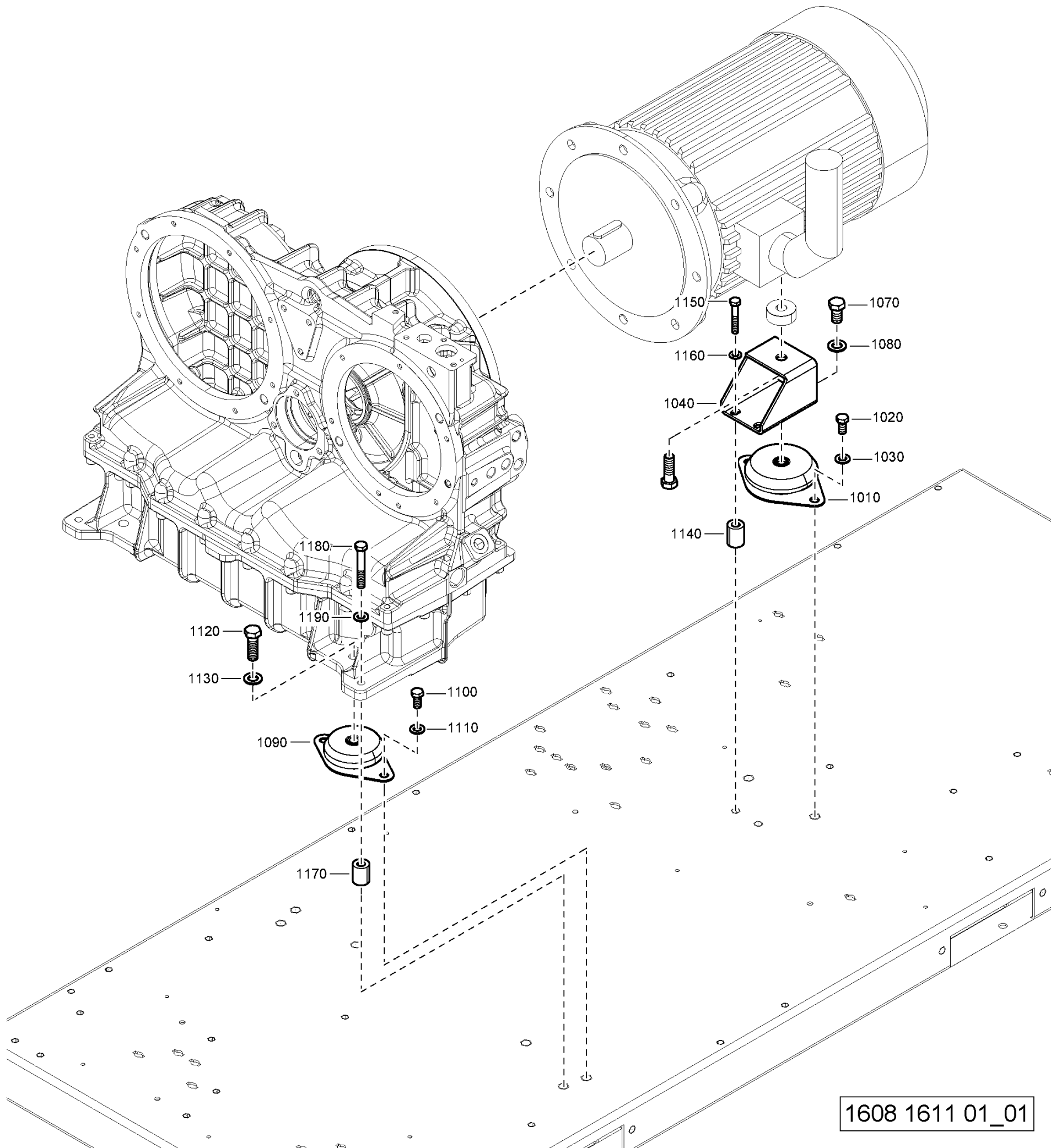


1608 0902 21-35_01

Ref	Part Number	Qty	Name
1010	1622 1182 14	1	GEAR WHEEL
1020	1616 6489 34	2	GEAR WHEEL

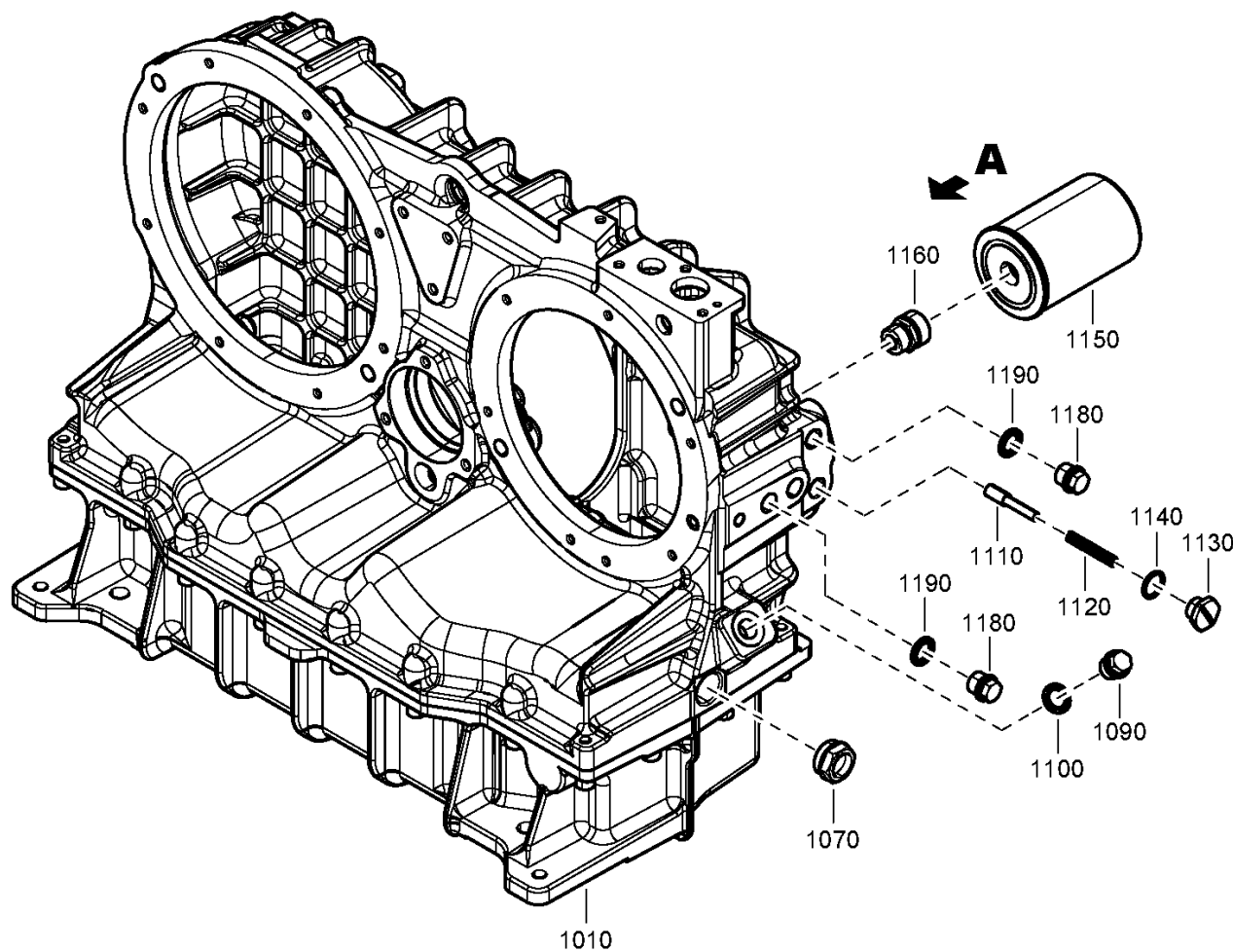
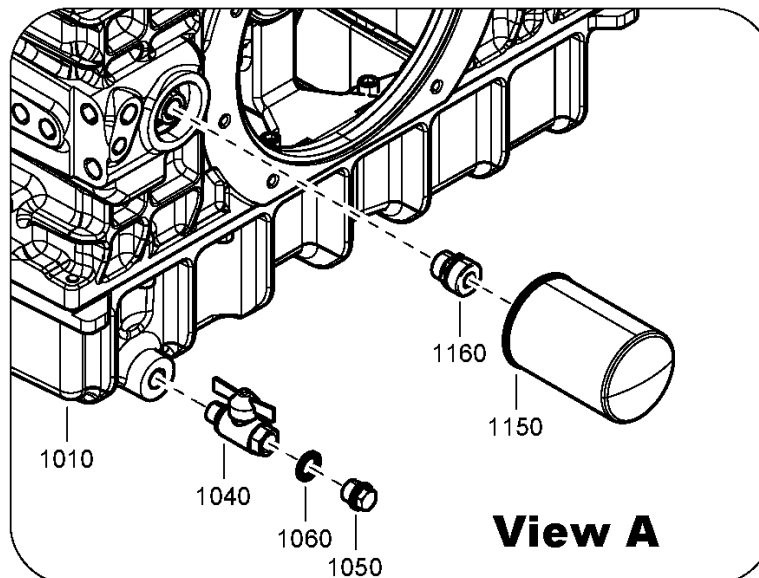


Ref	Part Number	Qty	Name
1010	1625 8610 21	1	MOTOR
1010	1625 8610 24	1	MOTOR
1020	0147 1475 03	1	HEX. BOLT M16X30X8.8
1030	0301 2378 00	2	WASHER M16



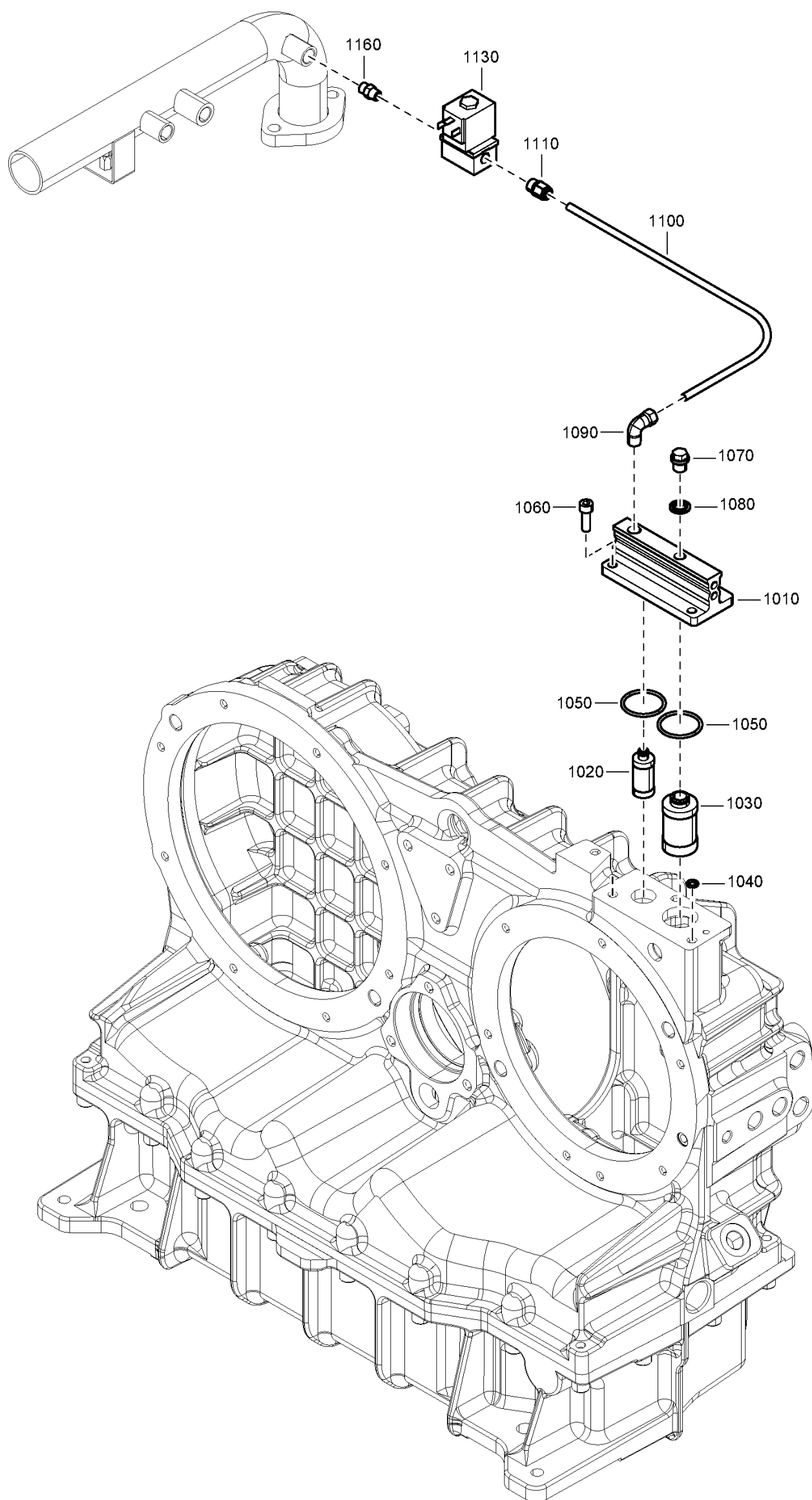
Ref	Part Number	Qty	Name
1010	1619 5189 01	1	BUFFER
1010	1625 8800 38	1	VIBRATION DAMPER
1020	0147 1400 03	2	HEX. BOLT M12X25X8.8
1030	0301 2358 00	2	WASHER M12
1040	1625 8891 00	1	SUPPORT
1070	0147 1475 03	1	HEX. BOLT M16X30X8.8
1080	0301 2378 00	1	WASHER M16
1090	5112 2165 00	2	ABSORBER
	↻ Substituted by:		1613 6752 04 - ANTIVIBR.PAD (quantity: 1)
1090	1625 8800 40	2	VIBRATION DAMPER
1100	0147 1400 03	4	HEX. BOLT M12X25X8.8
1110	0301 2358 00	4	WASHER M12
1120	0147 1479 03	2	HEX. BOLT M16X50X8.8
1130	0301 2378 00	2	WASHER M16
1140	1625 8854 02	2	SPACER - TRANSPORT
1150	0147 1964 33	2	HEX. BOLT M10X60X8.8
1160	0301 2344 00	2	WASHER M10
1170	1625 8854 03	2	SPACER - TRANSPORT
1180	0147 1964 35	2	HEX. BOLT M12X80X8.8
1190	0301 2358 00	2	WASHER M12

Not Illustrated			
Ref	Part Number	Designation	Qty
1075	1625 8542 00	Label	1








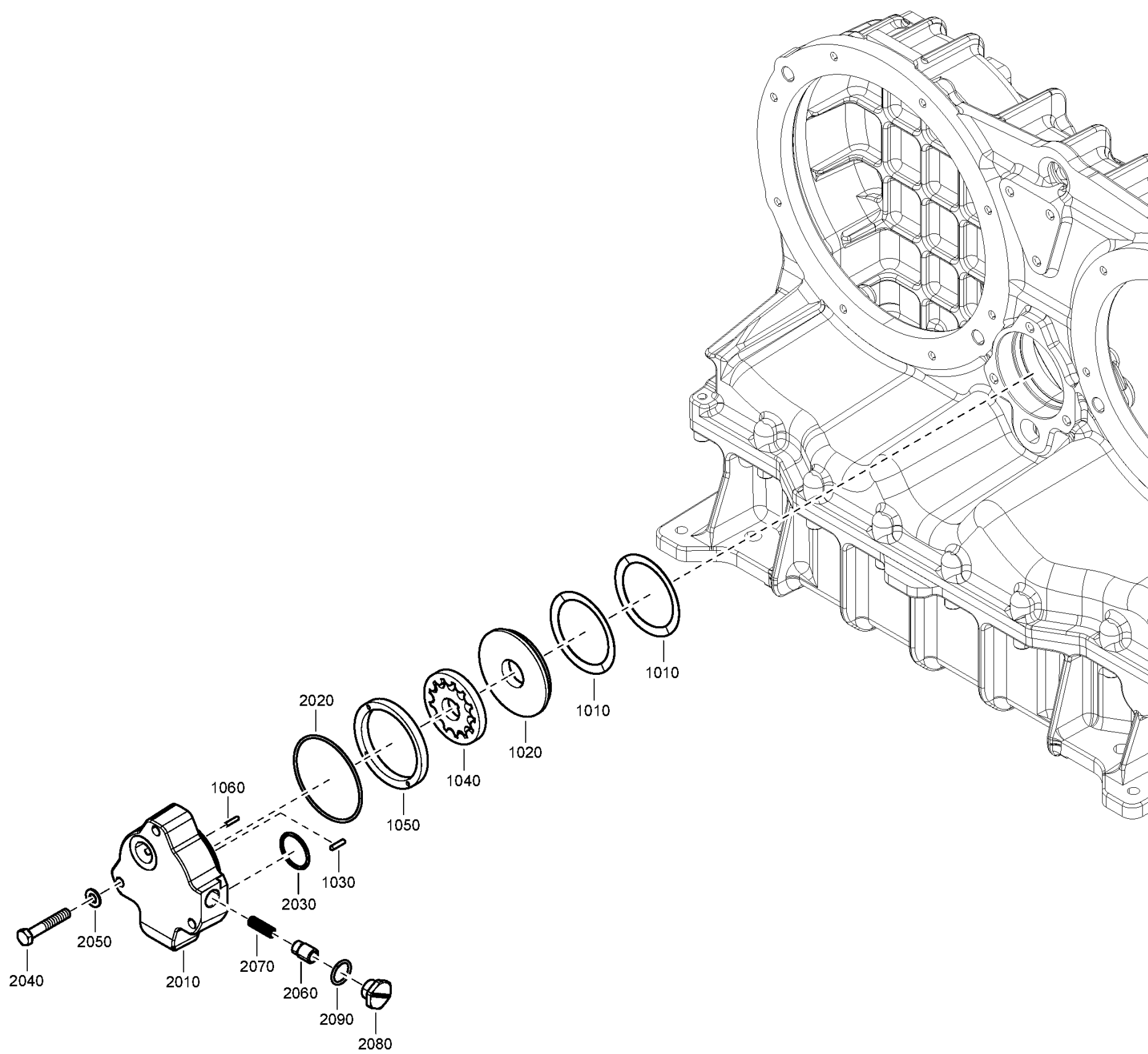
1608 0904 02_01

Ref	Part Number	Qty	Name
1010	1622 5997 80	1	ASSEMBLY "Z" GEARBOX
1040	0852 0010 26	1	DRAIN VALVE
1050	0686 3716 02	1	PLUG G 1/2
1060		1	WASHER M20
	 Service kits:	2901	1105 00 - AIR/OIL F.KIT
1070	1503 0202 00	1	OIL SIGHT GLASS
1075	1625 8542 00	1	LABEL
1090	0686 3716 02	1	PLUG G 1/2
1100		1	WASHER M20
	 Service kits:	2901	1105 00 - AIR/OIL F.KIT
1110	1622 5810 00	1	VALVE
1120	1621 7254 00	1	SPRING
1130	1622 5806 02	1	PLUG G 1/2
1140	0663 2102 63	1	O-RING 22.2X3
1150		1	OIL FILTER
	 Substituted by:	1614	8747 99 - OIL FILTER ELEMENT (quantity: 1)
	 Service kits:	2901	1105 00 - AIR/OIL F.KIT
1160	1622 1146 00	1	NIPPLE
1180	0686 3716 02	2	PLUG G 1/2
1190		2	WASHER M20
	 Service kits:	2901	1105 00 - AIR/OIL F.KIT







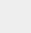



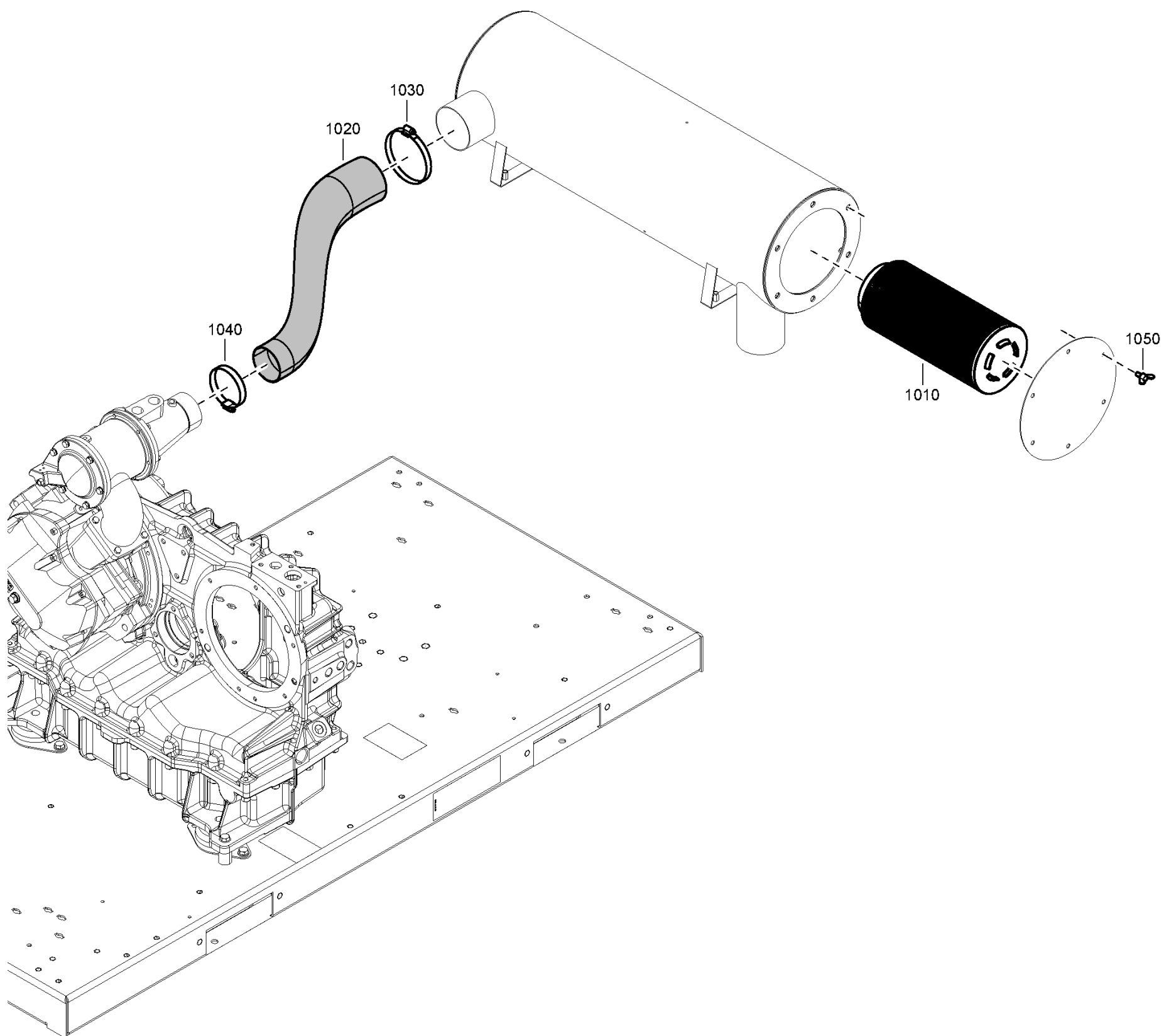
1608 1605 00_01

Ref	Part Number	Qty	Name
1010	1622 1147 00	1	COVER WITH EJECTOR
1020		1	PD 6 FILTER KIT
	 Service kits:		2901 1115 00 - BREATHER KIT ZT15-22 2901 1122 00 - PM KIT (A)
1030		1	FILTER ELEMENT
	 Service kits:		2901 1115 00 - BREATHER KIT ZT15-22 2901 1122 00 - PM KIT (A)
1040		1	O-RING 7.3X2.4
	 Service kits:		2901 1115 00 - BREATHER KIT ZT15-22 2901 1122 00 - PM KIT (A)
1050		2	O-RING 39.2X3
	 Service kits:		2901 1115 00 - BREATHER KIT ZT15-22 2901 1122 00 - PM KIT (A)
1060	0211 1325 03	3	HEX. SOCK M8X25X8.8
1070	0686 3716 01	1	PLUG G 1/4
1080	0661 1000 38	1	WASHER M12
1090	0583 8120 74	1	ELBOW G1/4 X 8
1100	0070 6002 03	AR	TUBE ID6 OD8 BLACK
1100	0070 6002 03	AR	TUBE ID6 OD8 BLACK
1110	0583 8100 69	1	FITTING PIPE
1130	1089 0640 43	1	SOLENOID VALVE
1160	1503 2564 02	1	NIPPLE ISO 7-R 1/4XISO 7-R 1/4
	 Substituted by:		2235 3539 00 - RACCORD 1/4 (quantity: 1)





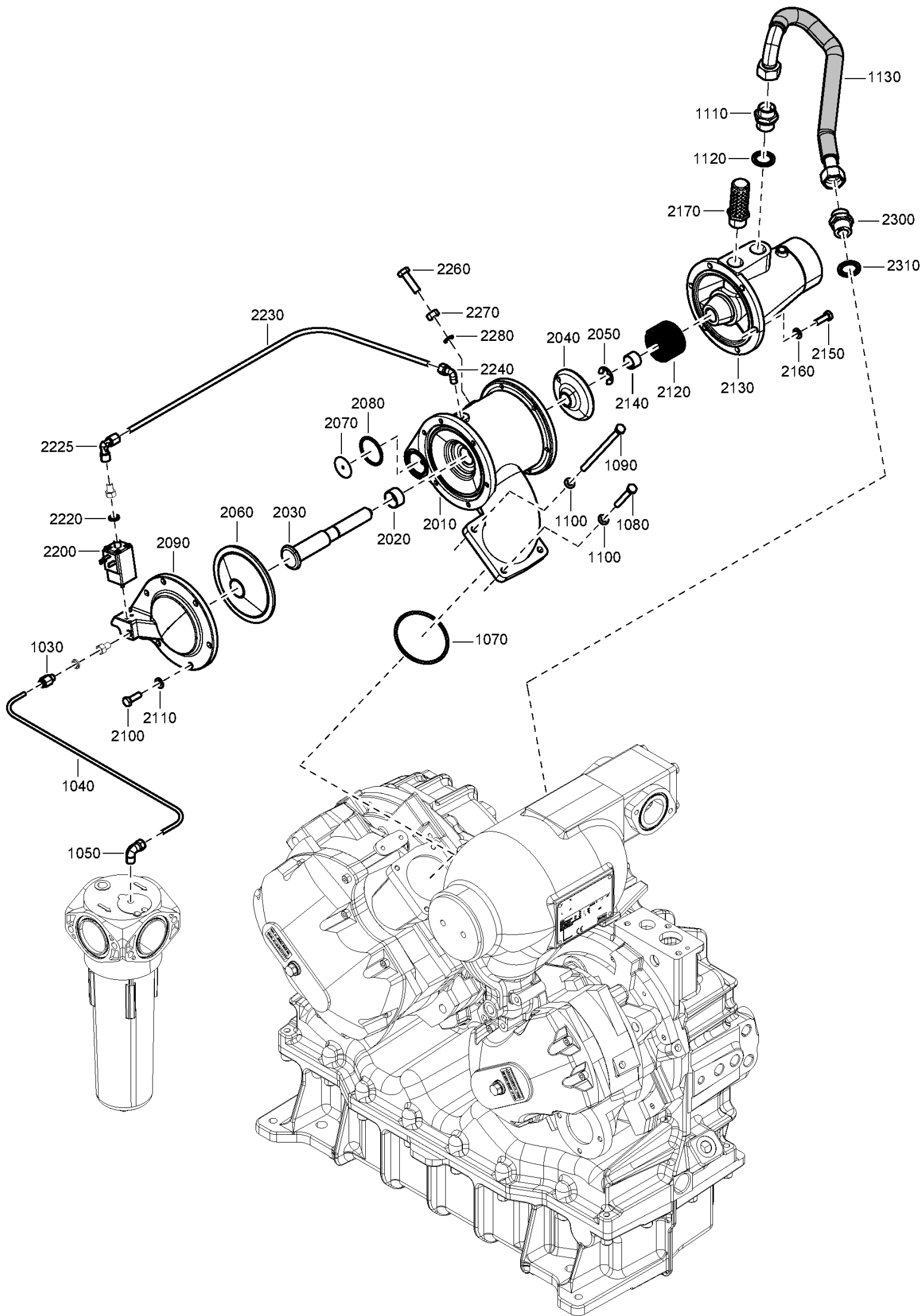
1608 0906 00-1608 0907 01_01

Ref	Part Number	Qty	Name
1010		2	DISC SPRING
	 Service kits:	2901 1108 00 - OIL PUMP KIT	
1020		1	RING
	 Service kits:	2901 1108 00 - OIL PUMP KIT	
1030		1	PARALLEL KEY
	 Service kits:	2901 1108 00 - OIL PUMP KIT	
1040		1	OIL PUMP
	 Service kits:	2901 1108 00 - OIL PUMP KIT	
1050		1	ECCENTRIC RING
	 Service kits:	2901 1108 00 - OIL PUMP KIT	
1060		1	PIN
	 Service kits:	2901 1108 00 - OIL PUMP KIT	
2010	1622 5814 00	1	COVER
2020		1	O-RING 94.5X3
	 Service kits:	2901 1108 00 - OIL PUMP KIT	
2030		1	O-RING 36.2X3
	 Service kits:	2901 1108 00 - OIL PUMP KIT	
2040	0147 1369 03	3	HEX. BOLT M10X60X8.8
2050	0301 2344 00	3	WASHER M10
2060	1622 5805 00	1	PISTON
2070	1622 1422 00	1	SPRING
2080	1622 5806 00	1	PLUG G 1/2
2090	0663 2102 63	1	O-RING 22.2X3



1608 1610 00_01

Ref	Part Number	Qty	Name
1010		1	ELEMENT(AIRFILTER)
	<ul style="list-style-type: none">  Substituted by: 2903 7407 00 - (=1613 7407 00) AIR FILTER EL. (quantity: 1)  Service kits: 2901 1105 00 - AIR/OIL F.KIT 		
1020	1622 5834 00	1	HOSE 850
1030	0347 6115 00	1	HOSE CLIP 105-120
1040	0347 6116 00	1	HOSE CLIP 77-89
1050	0223 1322 02	4	WING SCREW M8X16




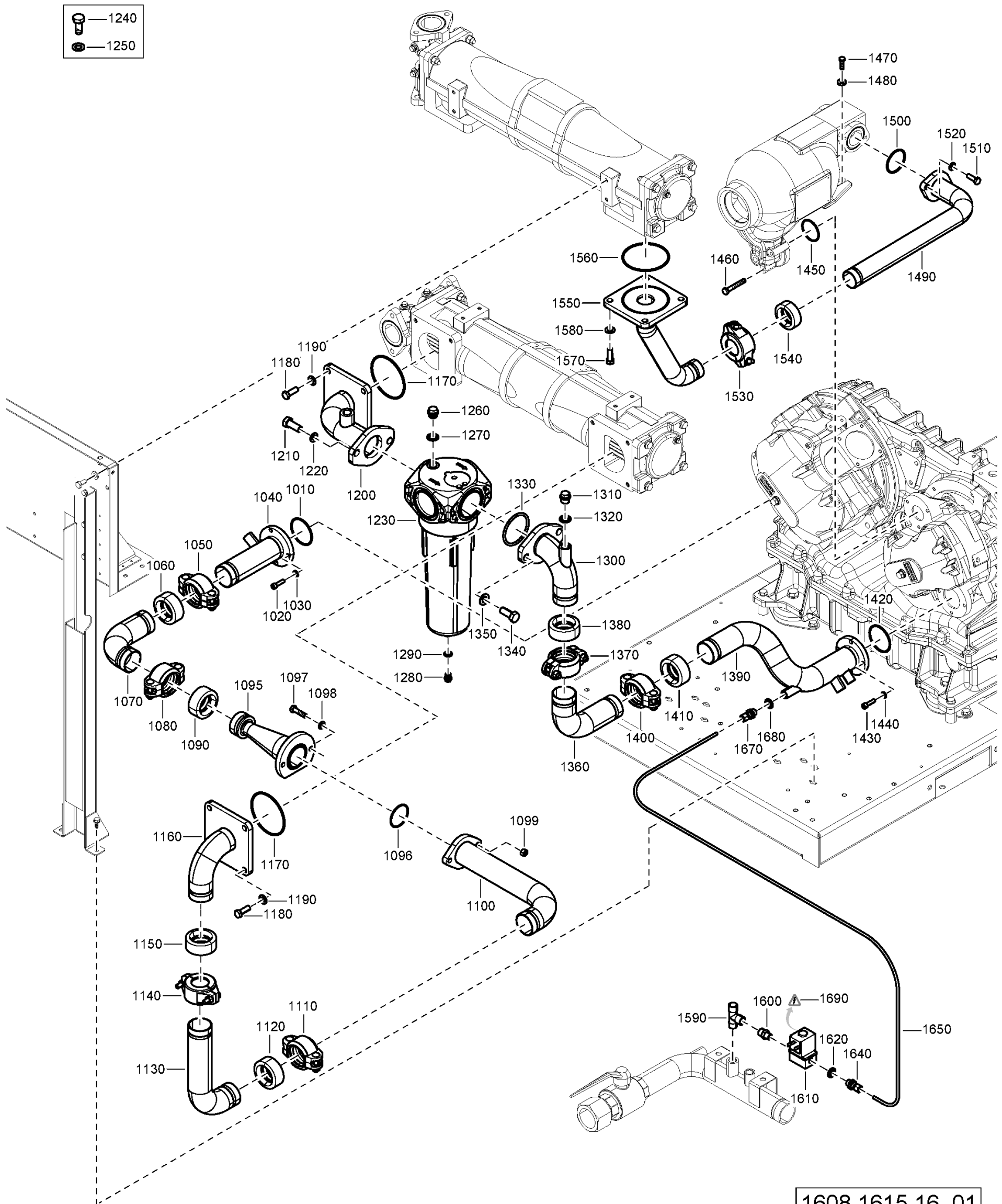
1608 1609 05_01

10.1 - Inlet Throttle Valve - ZR37/55 VSD

Ref	Part Number	Qty	Name
1030	0583 8100 76	1	COUPLING STR
1040	0070 6002 03	AR	TUBE ID6 OD8 BLACK
1050	0583 8120 74	1	ELBOW G1/4 X 8
1070	0663 2104 26	1	O-RING 84.1X3.56
1080	0147 1331 03	2	HEX. BOLT M8X55X8.8
1090	0147 1345 03	2	HEX. BOLT M8X140X8.8
1100	0301 2335 00	4	WASHER M8
1110	0571 0035 75	1	NIPPLE M26X1,5 X G3/4 A
1120		1	WASHER M26
	🛠 Service kits:		2901 1102 00 - INLET VALVE OVERHAUL KIT 2901 1101 00 - INLET VALVE OVERHAUL KIT 2901 1874 00 - PM KIT B Pack(Z2008)
1130	1622 2664 00	1	PIPE
	1622 1111 83	1	INLET THROTTLE VALVE
2010	• 1622 1111 01	1	HOUSING
2020	•	1	BEARING
	🛠 Service kits:		2901 1102 00 - INLET VALVE OVERHAUL KIT
2030	•	1	SHAFT VALVE
	🛠 Service kits:		2901 1101 00 - INLET VALVE OVERHAUL KIT 2901 1874 00 - PM KIT B Pack(Z2008)
2040	•	1	VALVES
	🛠 Service kits:		2901 1102 00 - INLET VALVE OVERHAUL KIT
2050	•	1	EXT.CIRCLIP
	🛠 Service kits:		2901 1102 00 - INLET VALVE OVERHAUL KIT
2060	•	1	DIAPHRAGM
	🛠 Service kits:		2901 1101 00 - INLET VALVE OVERHAUL KIT 2901 1874 00 - PM KIT B Pack(Z2008)
2070	•	1	MEMBRANE
	🛠 Service kits:		2901 1101 00 - INLET VALVE OVERHAUL KIT 2901 1874 00 - PM KIT B Pack(Z2008)
2080	•	1	O-RING 42.2X3
	🛠 Service kits:		2901 1101 00 - INLET VALVE OVERHAUL KIT 2901 1874 00 - PM KIT B Pack(Z2008)
2090	• 1622 1112 01	1	COVER
2100	• 0147 1325 03	6	HEX. BOLT M8X25X8.8
2110	• 0301 2335 00	6	WASHER M8
2120	•	1	SPRING
	🛠 Service kits:		2901 1102 00 - INLET VALVE OVERHAUL KIT
2130	• 1622 1671 01	1	THROTTLE
2140	•	1	BUSHING
	🛠 Service kits:		2901 1102 00 - INLET VALVE OVERHAUL KIT
2150	• 0147 1325 03	6	HEX. BOLT M8X25X8.8
2160	• 0301 2335 00	6	WASHER M8
2170	•	1	MUFFLER
	🛠 Service kits:		2901 1101 00 - INLET VALVE OVERHAUL KIT 2901 1874 00 - PM KIT B Pack(Z2008)
2200	• 1089 0428 13	1	SOLENOID VALVE
2220	•	1	WASHER M10
	🛠 Service kits:		2901 1102 00 - INLET VALVE OVERHAUL KIT
2225	• 0583 8121 23	1	ELBOW G1/8 X 8
2230	• 0070 6002 03	AR	TUBE ID6 OD8 BLACK
2240	• 0583 8120 75	1	FITTING TUBE
2260	• 0147 1364 03	1	HEX. BOLT M10X35X8.8
2270	• 0266 2111 00	1	NUT M10
2280	•	1	WASHER M10
	🛠 Service kits:		2901 1102 00 - INLET VALVE OVERHAUL KIT
2300	• 0571 0035 75	1	NIPPLE M26X1,5 X G3/4 A
2310	•	1	WASHER M26

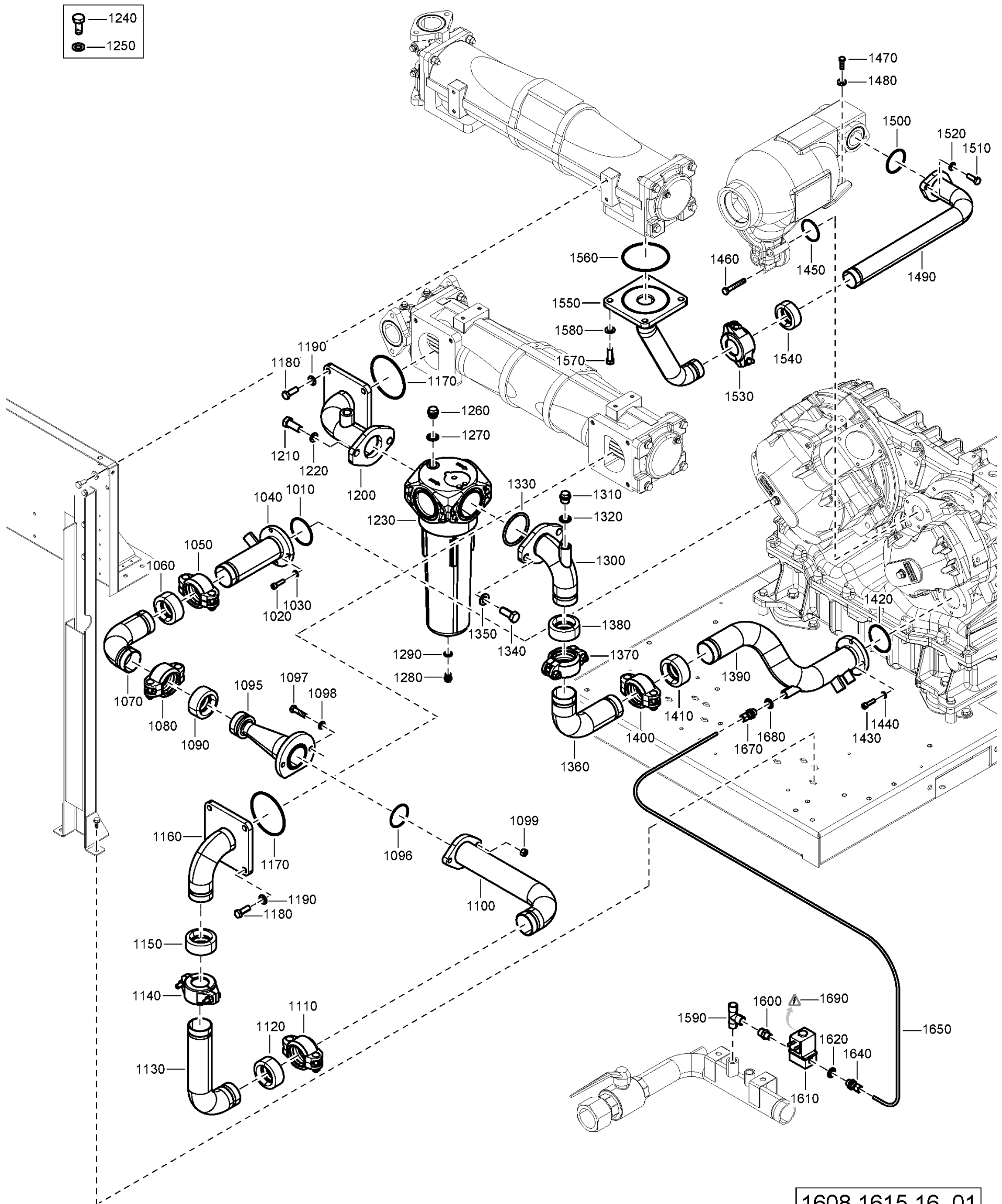
Ref	Part Number	Qty	Name
-----	-------------	-----	------

 Service kits:	2901 1101 00 - INLET VALVE OVERHAUL KIT		
	2901 1102 00 - INLET VALVE OVERHAUL KIT		
	2901 1874 00 - PM KIT B Pack(Z2008)		



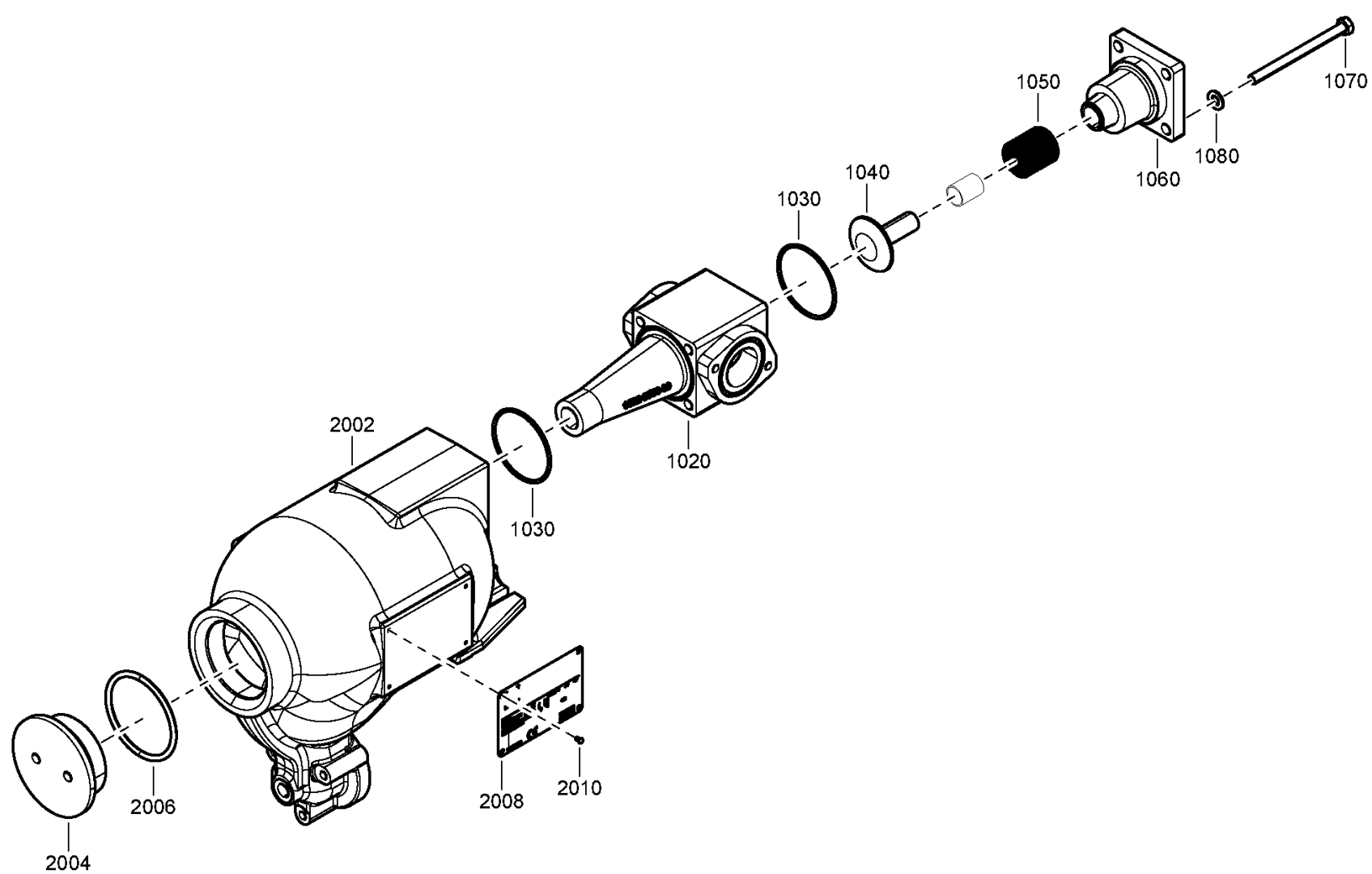
1608 1615 16_01

Ref	Part Number	Qty	Name
1010	0663 2106 12	1	O-RING 69.5X3
1020	0211 1326 03	4	HEX. SOCK M8X30X8.8
1030	0301 2335 00	4	WASHER M8
1040	1622 8135 10	1	PIPE G3/8X197XF
1050	0634 1000 23	1	PIPE COUPLING
1060	0634 1000 80	1	SEAL
1070	1625 8591 00	1	PIPE 250
1080	0634 1000 23	1	PIPE COUPLING
1090	0634 1000 80	1	SEAL
1095	1622 8942 00	1	NOZZLE
1096	0663 2102 89	1	O-RING 64.5X3
1097	0147 1365 03	2	HEX. BOLT M10X40X8.8
1098	0301 2344 00	2	WASHER M10
1099	0266 2110 00	2	NUT M8
1100	1625 8801 10	1	PIPE FX465
1110	0634 1000 23	1	PIPE COUPLING
1120	0634 1000 80	1	SEAL
1130	1625 8828 00	1	PIPE 390
1140	0634 1000 27	1	PIPE COUPLING
1150	0634 1000 83	1	SEAL
1160	1625 8802 00	1	PIPE FX240
1170	0663 2106 51	2	O-RING 113X3.5
1180	0147 1402 03	8	HEX. BOLT M12X35X8.8
1190	0301 2358 00	8	WASHER M12
1200	1625 8586 00	1	PIPE FX295XF
1210	0147 1476 03	2	HEX. BOLT M16X35X8.8
1220	0301 2378 00	2	WASHER M16
1230	1613 9370 83	1	WSD 250 (16 BAR) SF B 2S 1L
1240	0147 1475 03	2	HEX. BOLT M16X30X8.8
1250	0301 2378 00	2	WASHER M16
1260	0686 3716 02	1	PLUG G 1/2
1270	0661 1000 39	1	WASHER M20
1280	0686 3716 01	1	PLUG G 1/4
1290	0661 1000 38	1	WASHER M12
1300	1625 8587 00	1	PIPE FX230
1310	0686 3716 02	1	PLUG G 1/2
1320	0661 1000 39	1	WASHER M20
1330	0663 2107 94	1	O-RING 79.2X5.7
1340	0147 1476 03	2	HEX. BOLT M16X35X8.8
1350	0301 2378 00	2	WASHER M16
1360	1625 8588 00	1	PIPE 315
1370	0634 1000 23	1	PIPE COUPLING
1380	0634 1000 80	1	SEAL
1390	1625 8589 00	1	PIPE FX600
1400	0634 1000 23	1	PIPE COUPLING
1410	0634 1000 80	1	SEAL
1420	0663 2106 12	1	O-RING 69.5X3
1430	0211 1326 03	4	HEX. SOCK M8X30X8.8
1440	0301 2335 00	4	WASHER M8
1450	0663 2108 00	1	O-RING 54.5X3
1460	0147 1333 03	3	HEX. BOLT M8X65X8.8
1470	0147 1325 03	1	HEX. BOLT M8X25X8.8





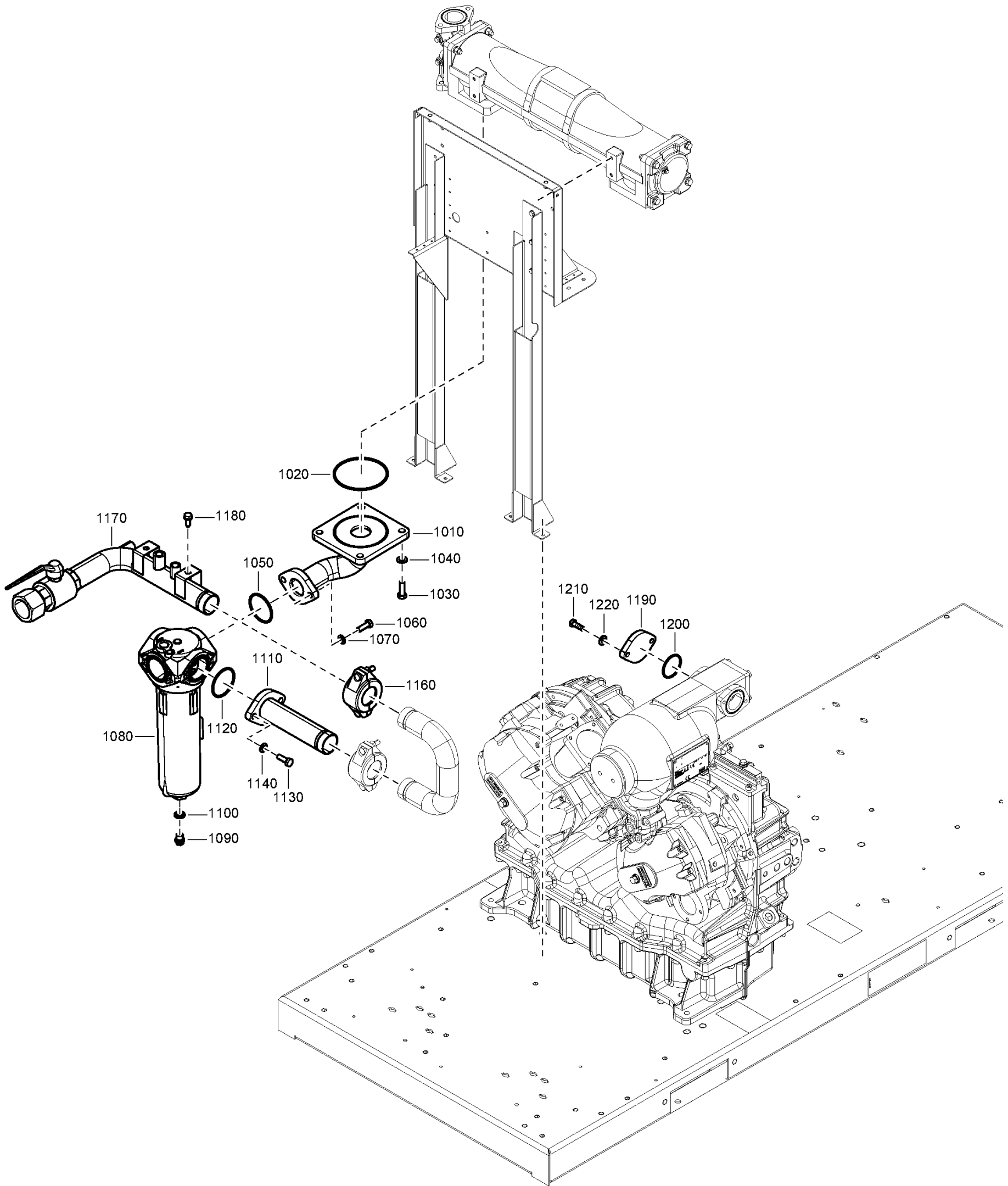
1608 1615 16_01

Ref	Part Number	Qty	Name
1480	0300 0275 01	1	WASHER M8
	↻ Substituted by:	0300 0276 21 - WASHER M8 (quantity: 1)	
1490	1625 8585 00	1	PIPE FX560
1500	0663 2107 77	1	O-RING 59.5X3
1510	0147 1363 03	2	HEX. BOLT M10X30X8.8
1520	0301 2344 00	2	WASHER M10
1530	0634 1000 27	1	PIPE COUPLING
1540	0634 1000 83	1	SEAL
1550	1625 8584 00	1	PIPE FX460
1560	0663 2106 51	1	O-RING 113X3.5
1570	0147 1402 03	1	HEX. BOLT M12X35X8.8
1580	0300 0275 01	1	WASHER M8
	↻ Substituted by:	0300 0276 21 - WASHER M8 (quantity: 1)	
1590	1503 2566 12	1	TEE
1600	1503 2564 11	1	NIPPLE ISO 7-R 3/8XISO 7-R 1/4
1610	1089 0640 43	1	SOLENOID VALVE
1620	0661 1000 38	1	WASHER M12
1640	0583 8100 69	1	FITTING PIPE
1650	0070 6002 03	10	TUBE ID6 OD8 BLACK
1670	0583 8100 69	1	FITTING PIPE
1680	0661 1000 38	1	WASHER M12
1690	1088 1001 01	1	WARNING MARK



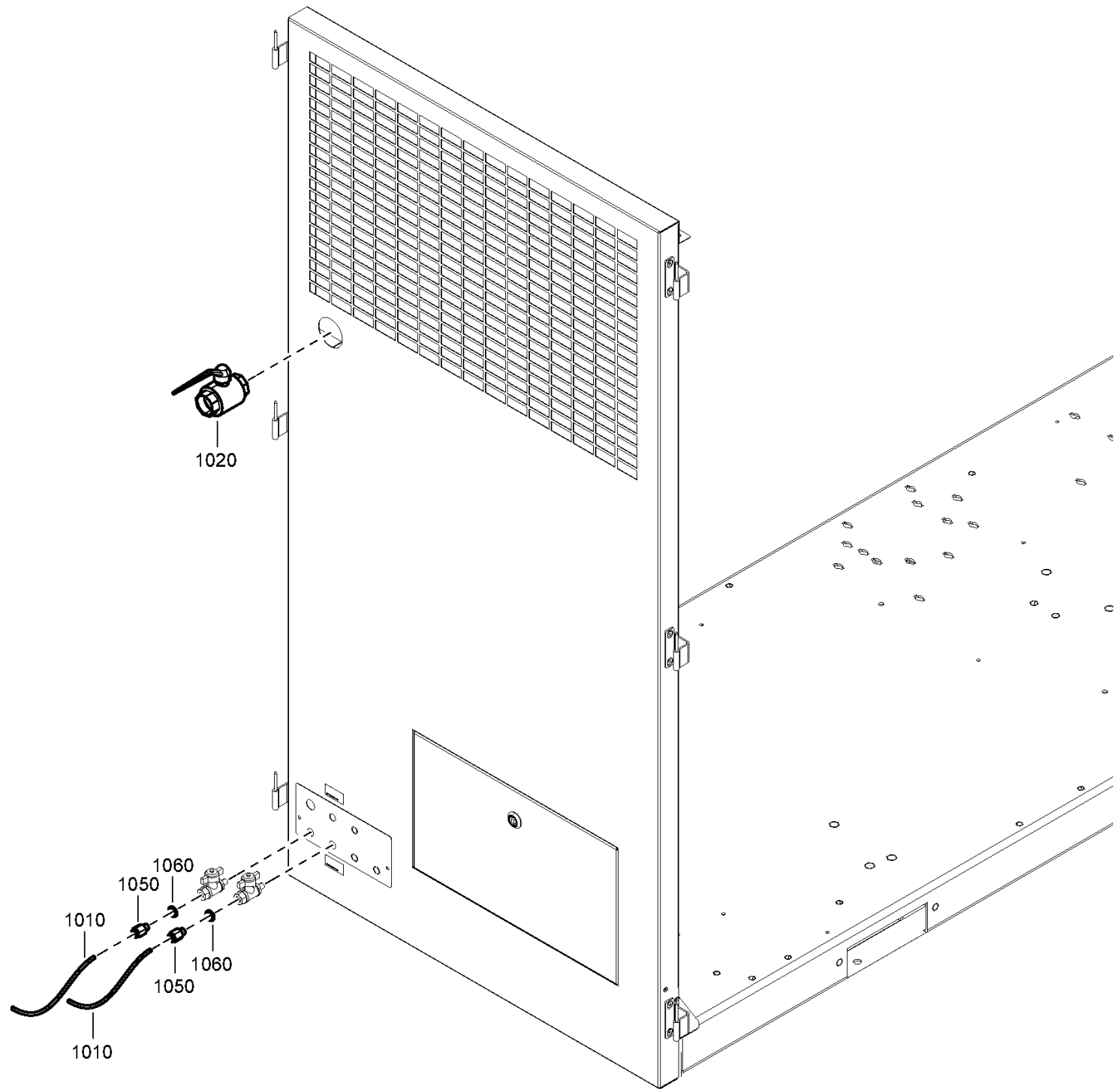
1608 1633 03_01

Ref	Part Number	Qty	Name
1020	1622 0588 00	1	HOUSING VALVE
1030		2	O-RING 76X3
	 Service kits:		2901 9176 00 - PM KIT C 2901 1864 00 - CHECK VALVE KIT(Z2008)
1040		1	CHECK VALVE
	 Service kits:		2901 1864 00 - CHECK VALVE KIT(Z2008) 2901 9176 00 - PM KIT C
1050		1	SPRING
	 Service kits:		2901 1864 00 - CHECK VALVE KIT(Z2008) 2901 9176 00 - PM KIT C
1060	1622 5836 80	1	HOUSING
	•	1	BUSHING
	 Service kits:		2901 1864 00 - CHECK VALVE KIT(Z2008) 2901 9176 00 - PM KIT C
1070	0147 1381 03	4	HEX. BOLT M10X130X8.8
1080	0301 2344 00	4	WASHER M10
2002	1622 1675 00	1	PULSATION DAMPER
2004	1613 9348 00	1	PLUG
2006	0663 2111 98	1	O-RING 87.2X5.7
2008	1622 6560 00	1	PLATE DATA
2010	0244 4184 00	4	DRIVE SCREW 6X6XSteel



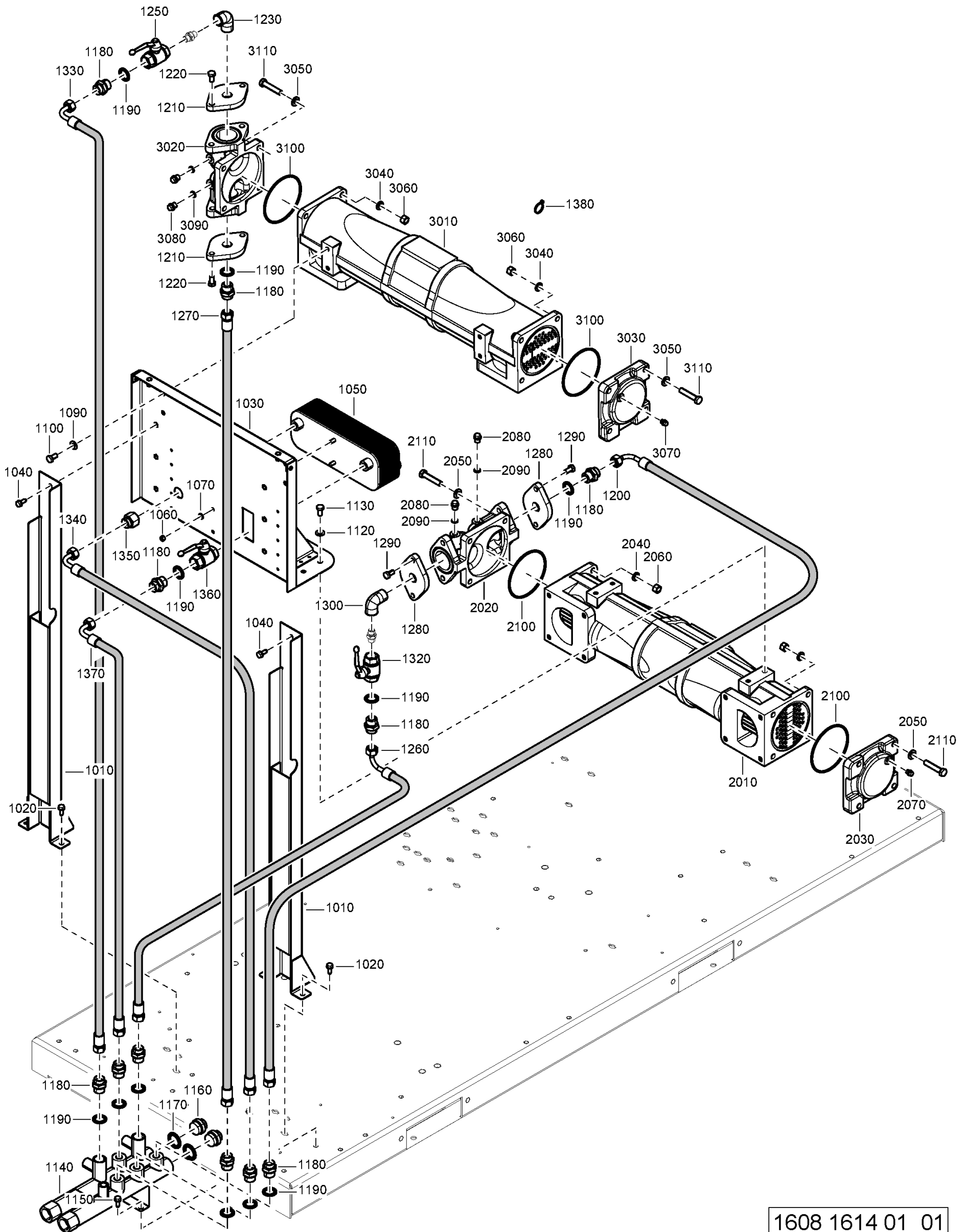
1608 1616 16_01

Ref	Part Number	Qty	Name
1010	1625 8578 00	1	PIPE FX250XF
1020	0663 2106 51	1	O-RING 113X3.5
1030	0147 1402 03	4	HEX. BOLT M12X35X8.8
1040	0301 2358 00	4	WASHER M12
1050	0663 2106 11	1	O-RING 57.2X3
1060	0147 1363 03	2	HEX. BOLT M10X30X8.8
1070	0301 2344 00	2	WASHER M10
1080	1613 8763 80	1	WSD 80 (16 BAR) FF B 1S 1L
1090	0686 3716 01	1	PLUG G 1/4
1100	0661 1000 38	1	WASHER M12
1110	1625 8583 10	1	PIPE FX530
1120	0663 2106 11	1	O-RING 57.2X3
1130	0147 1363 03	2	HEX. BOLT M10X30X8.8
1140	0301 2344 00	2	WASHER M10
1160	0634 1000 27	1	PIPE COUPLING
1170	1622 8129 10	1	PIPE ISO7-R 1 1/2X445
1180	0147 1963 08	2	HEX. BOLT M8X25X8.8
1190	1613 7000 21	1	FLANGE
1200	0663 2107 77	1	O-RING 59.5X3
1210	0147 1363 03	2	HEX. BOLT M10X30X8.8
1220	0301 2344 00	2	WASHER M10



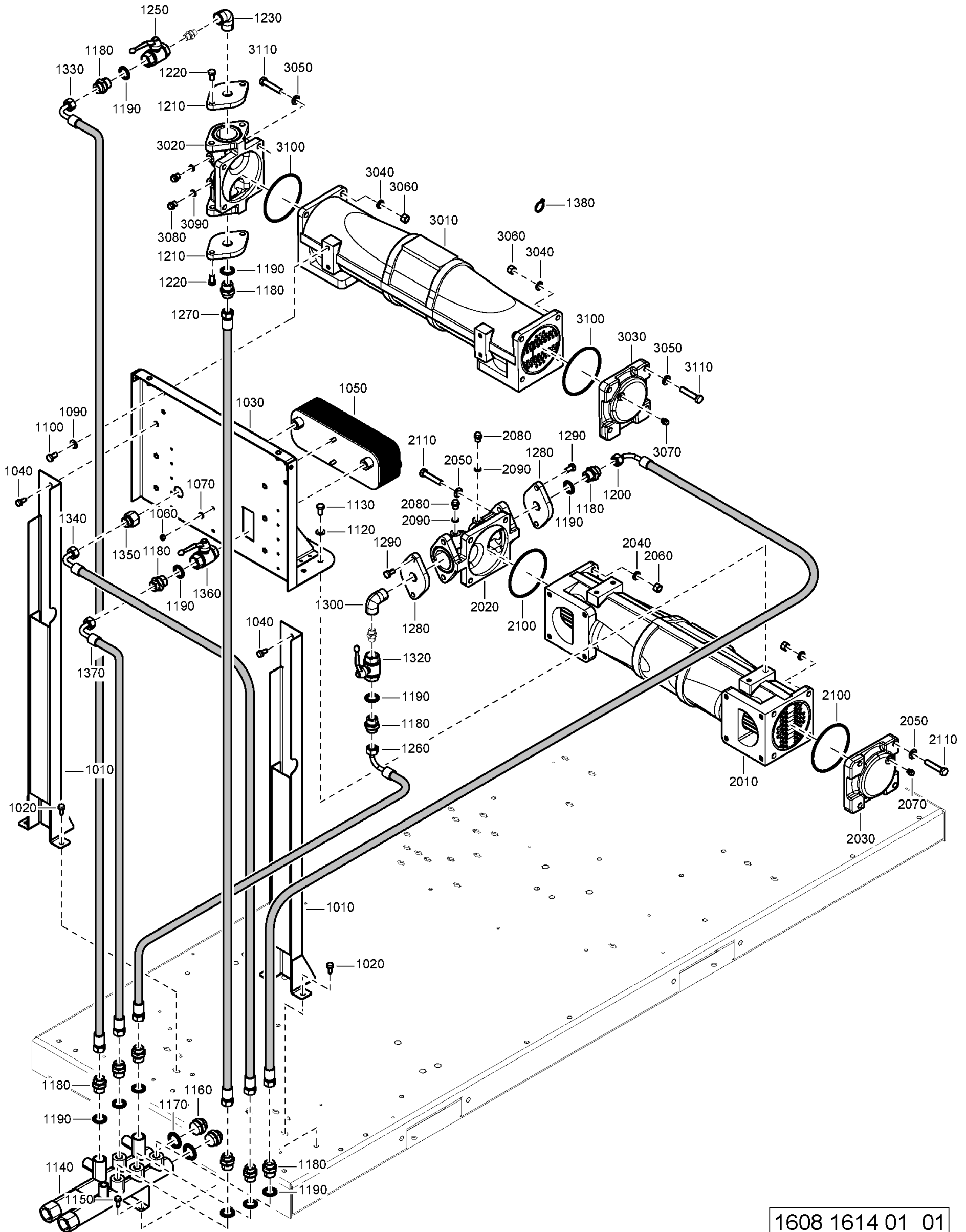
1608 1622 00-01-02_01

Ref	Part Number	Qty	Name
1010	0070 6002 03	AR	TUBE ID6 OD8 BLACK
1020	0852 0011 04	1	VALVE BALL
1050	0583 8100 76	2	COUPLING STR
1060	0661 1000 42	2	WASHER M10



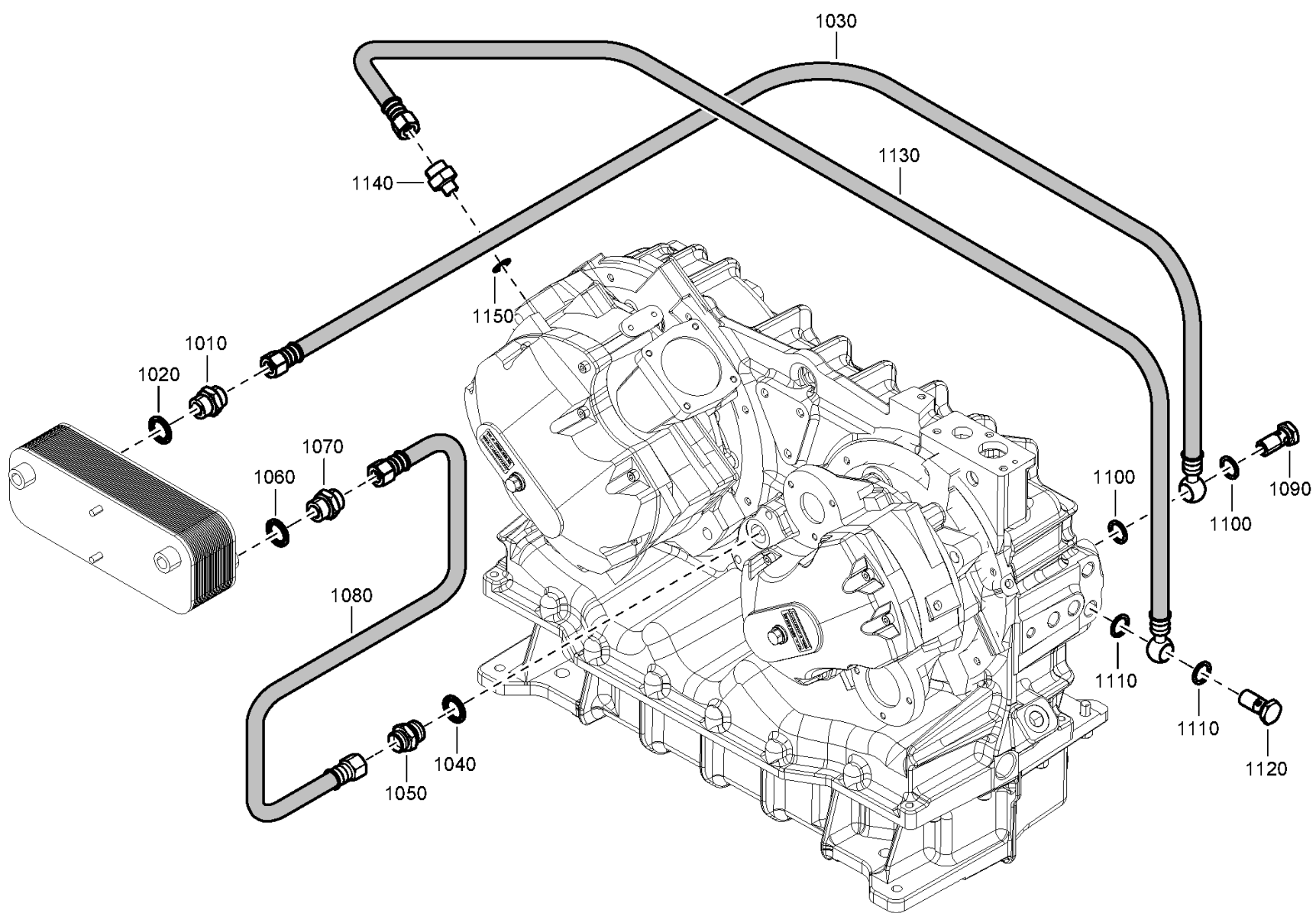
1608 1614 01_01

Ref	Part Number	Qty	Name
1010	1625 8595 00	2	SUPPORT
1020	0147 1963 08	8	HEX. BOLT M8X25X8.8
1030	1625 8827 00	1	SUPPORT COOLERS
1040	0147 1963 08	6	HEX. BOLT M8X25X8.8
1050	1625 8574 00	1	COOLER oil
1060	0266 2110 00	2	NUT M8
	0017 5300 11	AR	CONSUMABLES OIL
1070	0301 2335 00	2	WASHER M8
1090	0300-0274-38	4	WASHER M10
	🔄 Substituted by:		0301 2344 00 - WASHER M10 (quantity: 1)
1100	0147 1360 03	4	HEX. BOLT M10X20X8.8
1120	0300-0274-38	4	WASHER M10
	🔄 Substituted by:		0301 2344 00 - WASHER M10 (quantity: 1)
1130	0147 1360 03	4	HEX. BOLT M10X20X8.8
1140	1622 4997 10	1	PIPE 339
1150	0147 1963 08	1	HEX. BOLT M8X25X8.8
1160	0686-4208-00	2	PLUG G 1
	🔄 Substituted by:		1305 5051 02 - HEXAGON PLUG 1" (quantity: 1)
1170	0661 1000 60	2	SEAL
1180	1619 5509 00	10	NIPPLE M26X1,5 X G3/4
1190	0661 1000 43	10	WASHER M26
1200	0574 8235 37	1	HOSE M26X1,5 X 1100 X M26X1,5
1210	1625 8803 00	2	FLANGE
1220	0147 1360 03	4	HEX. BOLT M10X20X8.8
1230	0560 1306 03	1	ELBOW RP 3/4 X ISO7-R 3/4
1250	0852 0010 99	1	VALVE BALL
1260	0574 8845 43	1	HOSE M26X1,5 X 1400 X M26X1,5
1270	0574 8235 45	1	HOSE M26X1,5 X 1500 X M26X1,5
1280	1625 8803 00	2	FLANGE
1290	0147 1360 03	4	HEX. BOLT M10X20X8.8
1300	0560 1306 03	1	ELBOW RP 3/4 X ISO7-R 3/4
1320	0852 0010 34	1	BALL VALVE G3/4
1330	0574 8235 51	1	HOSE M26X1,5 X 1800 X M26X1,5
1340	0574 8845 36	1	HOSE M26X1,5 X 1050 X M26X1,5
1350	0571 0035 37	1	NIPPLE M26X1,5 X G3/4
1360	1619 6153 05	1	VLV BALL 3/4R BRS
1370	0574 8845 36	1	HOSE M26X1,5 X 1050 X M26X1,5
1380	0348 0102 12	3	CABLE TIE
	1625 8581 80	1	COOLER WATER
	🔄 Substituted by:		1625 8581 81 - COOLER WATER (quantity: 1)
2010	• 1614 7861 00	1	RETURN BOX
2020	• 1614 6666 00	1	WATERBOX
2030	• 1625 8581 00	1	COOLER WATER
2040	• 0333 2236 00	4	LKWASH M12 STL
2050	• 0301 2358 00	8	WASHER M12
2060	• 0266 2112 00	4	NUT M12
2070	•	1	PLUG G 1/8
	🧰 Service kits:		3001 1503 20 - KIT COOLER ZR
2080	•	2	PLUG G 1/4
	🧰 Service kits:		3001 1503 20 - KIT COOLER ZR
2090	•	2	WASHER M10
	🔄 Substituted by:		0661 1000 42 - WASHER M10 (quantity: 1)
	🧰 Service kits:		3001 1503 20 - KIT COOLER ZR
2100	•	2	O-RING
	🧰 Service kits:		3001 1503 20 - KIT COOLER ZR



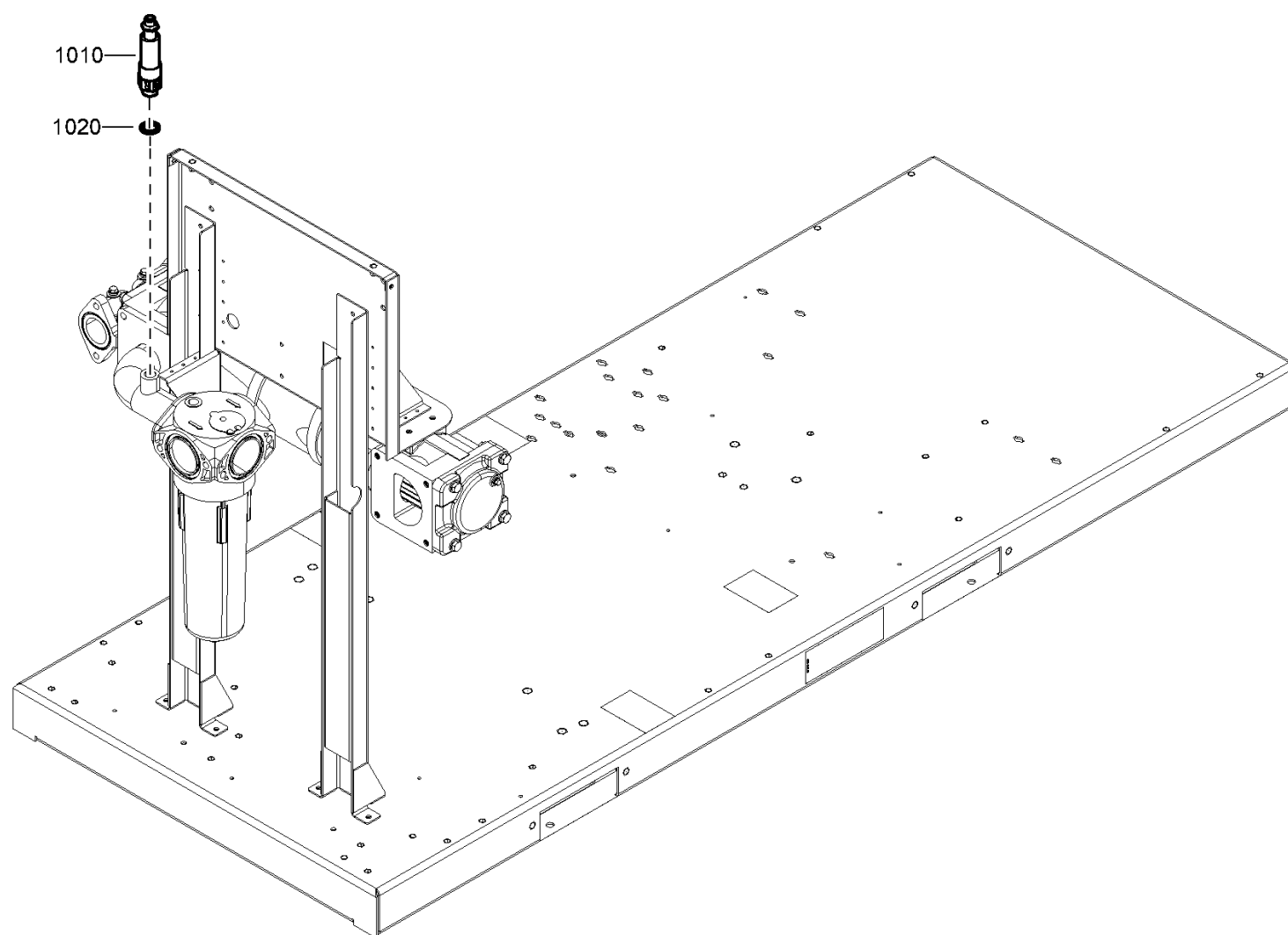
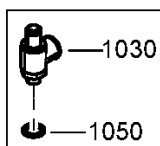
1608 1614 01_01

Ref	Part Number	Qty	Name
2110	• 0147 1963 89	8	HEX. BOLT M12X60X10.9
	1625 8581 80	1	COOLER WATER
	🔄 Substituted by:	1625 8581 81	COOLER WATER (quantity: 1)
3010	• 1614 7861 00	1	RETURN BOX
3020	• 1614 6666 00	1	WATERBOX
3030	• 1625 8581 00	1	COOLER WATER
3040	• 0333 2236 00	4	LKWASH M12 STL
3050	• 0301 2358 00	8	WASHER M12
3060	• 0266 2112 00	4	NUT M12
3070	•	1	PLUG G 1/8
	🧰 Service kits:	3001 1503 20	KIT COOLER ZR
3080	•	2	PLUG G 1/4
	🧰 Service kits:	3001 1503 20	KIT COOLER ZR
3090	•	2	WASHER M10
	🔄 Substituted by:	0661 1000 42	WASHER M10 (quantity: 1)
	🧰 Service kits:	3001 1503 20	KIT COOLER ZR
3100	•	2	O-RING
	🧰 Service kits:	3001 1503 20	KIT COOLER ZR
3110	• 0147 1963 89	8	HEX. BOLT M12X60X10.9



1608 1608 02_01

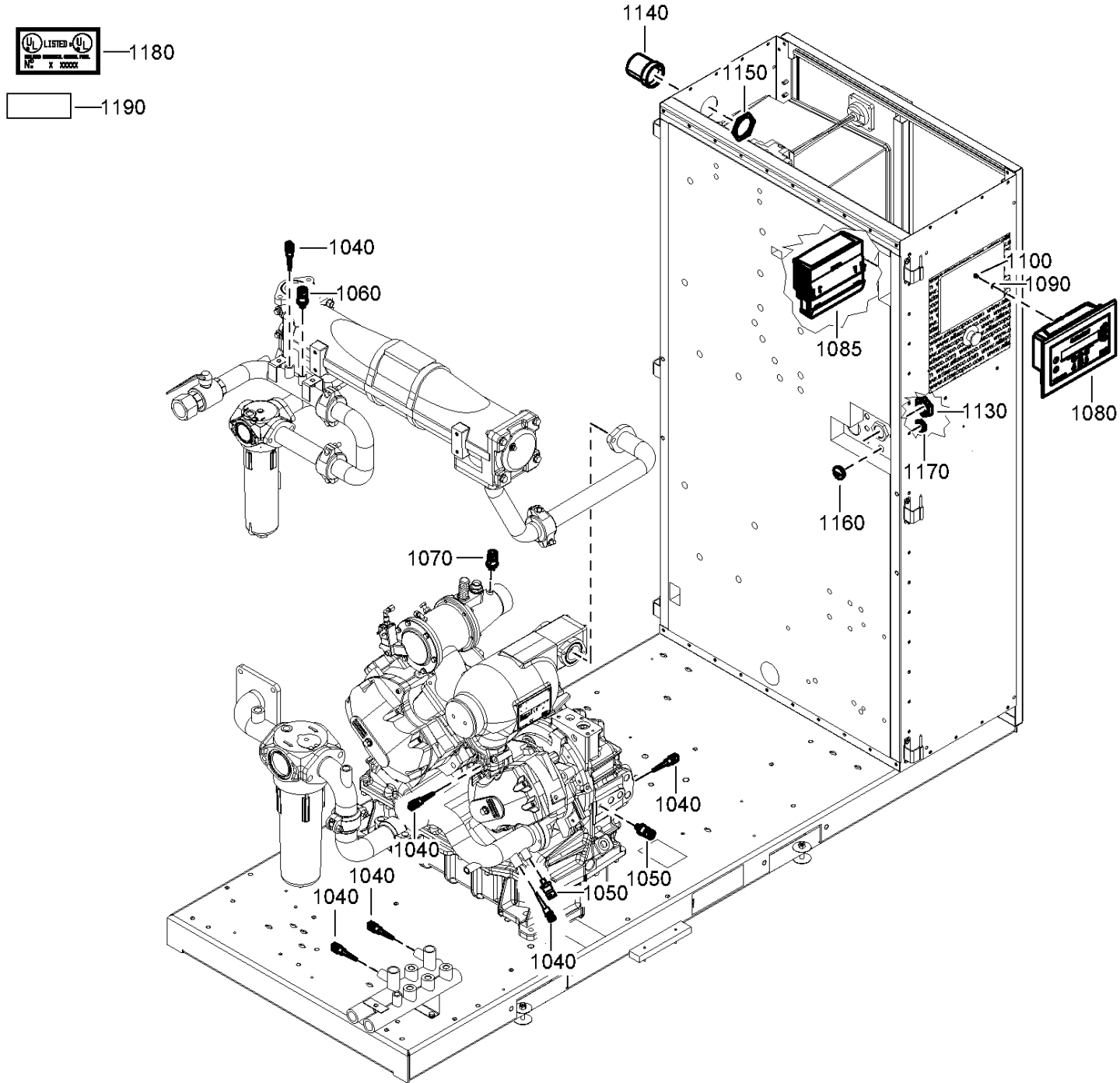
Ref	Part Number	Qty	Name
1010	1619 5509 00	1	NIPPLE M26X1,5 X G3/4
1020	0661 1000 43	1	WASHER M26
1030	0574 9885 01	1	HOSE 22 X 1450 X M26X1,5
1040	0661 1000 43	1	WASHER M26
1050	1619 5509 00	1	NIPPLE M26X1,5 X G3/4
1060	0661 1000 43	1	WASHER M26
1070	1619 5509 00	1	NIPPLE M26X1,5 X G3/4
1080	0574 9911 09	1	HOSE M26X1,5 X 950 X M26X1,5
	↻ Substituted by:		0574 8002 62 - HOSE ASSEMBLY (quantity: 1)
1090	0627 5100 05	1	PRESSURE SCREW G1/2X42
1100	0300 0276 44	2	WASHER M20
1110	0300 0276 44	2	WASHER M20
1120	0627 5100 05	1	PRESSURE SCREW G1/2X42
1130	0574 9885 01	1	HOSE 22 X 1450 X M26X1,5
1140	0571 0035 45	1	NIPPLE M26X1,5 X G3/8 A
1150	0661 1000 40	1	WASHER M16



1608 1618 05-07_01

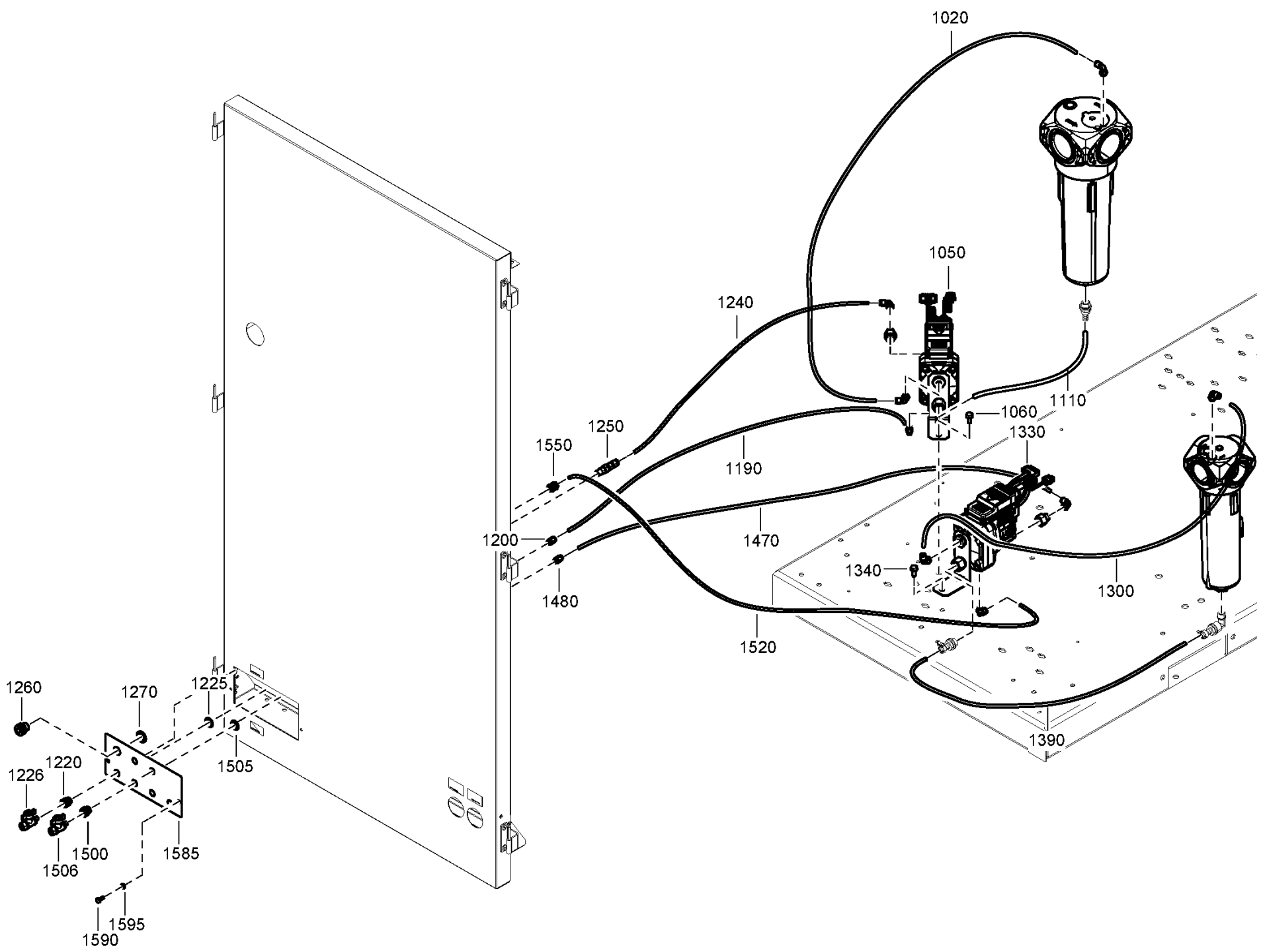
Ref	Part Number	Qty	Name
1010	0830 1008 32	1	SAFETY VALVE
1020	0661 1000 43	1	WASHER M26
1030	0832 1000 85	1	SAFETY VALVE

Not Illustrated			
Ref	Part Number	Designation	Qty
1105	1622 5099 01	DI chane cable	1
1120	1622 8982 50	Wire harness	1
1205	1625 5704 00	UL Label	1



1608 1621 97-98_01

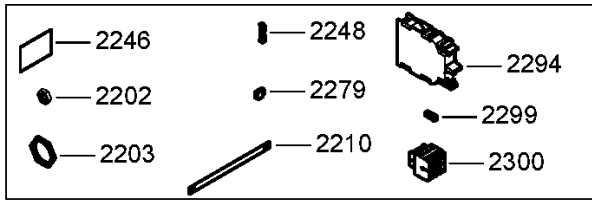
Ref	Part Number	Qty	Name
1040	1089 0574 70	8	TEMP.SENSOR
1050	1089 0575 55	2	PRESS.TRANSDUCER
1060	1089 0575 54	1	PRESS.TRANSDUCER
1070	1089 0575 56	1	PRESS.TRANSDUCER
1080	1900 5204 40	1	MK5S TOUCH - NO I/O
1085	1900 5200 33	1	ELEKTRONIKON MK5 I/O2
1090	0301 2315 00	4	WASHER M4
1100	0147 1169 03	4	HEX.BOLT M4X8X8.8
1105	1622 5099 01	1	DI CHANE CABLE (600MM)
1120	1622 8982 50	1	WIRE HARNESS ZR
1130	0697 9809 23	1	LOCK NUT M32X1,5
1140	1622 2817 01	1	ADAPTER
1150	0697 9809 19	1	LOCK NUT M63
1160	0697 9810 26	1	PLUG M20
1170	0697 9809 21	1	LOCK NUT M20



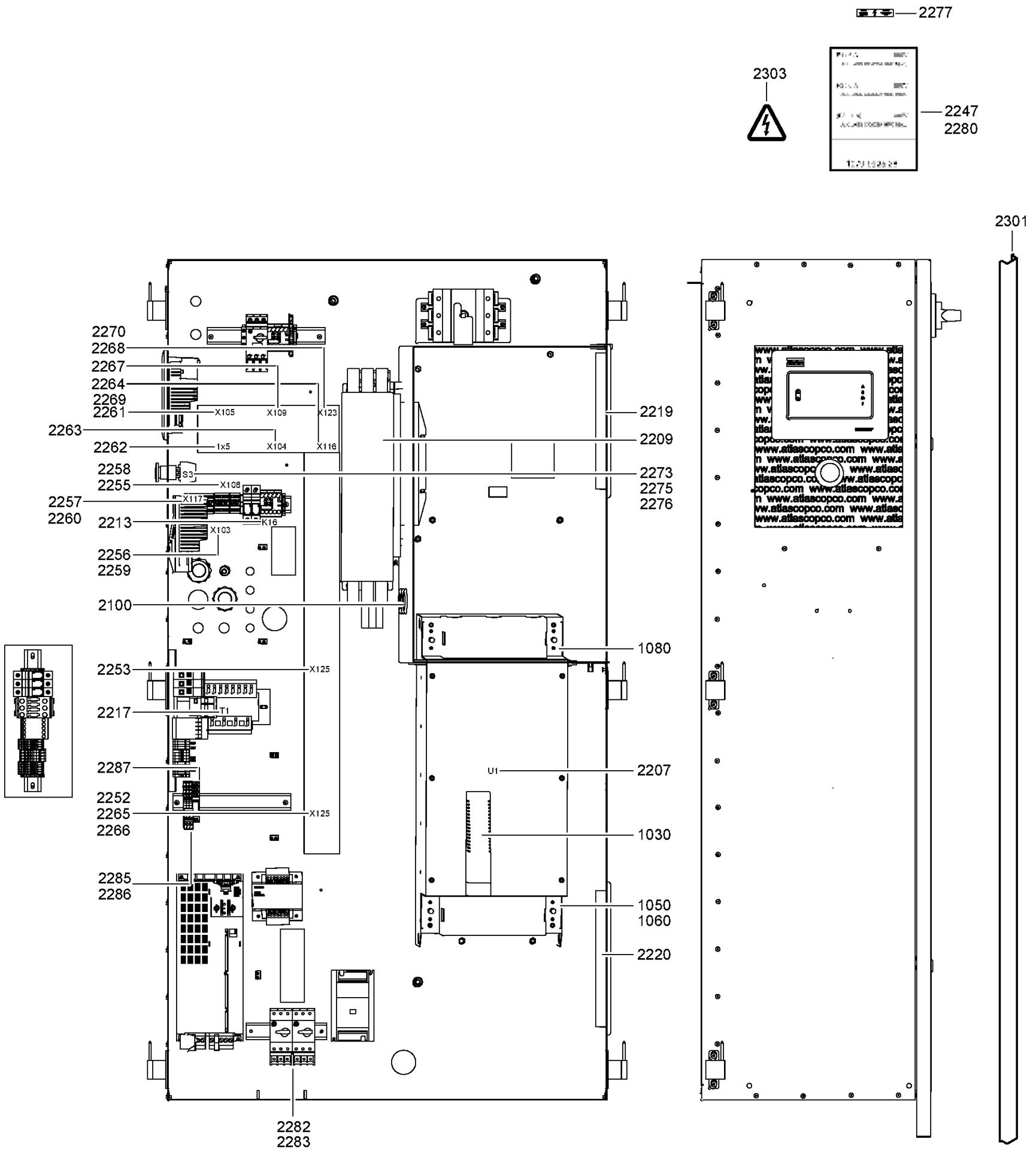
1608 1619 09_02

Ref	Part Number	Qty	Name
1020	0070 6002 03	AR	TUBE ID6 OD8 BLACK
1050	1622 8551 43	1	EWD
1060	0147 1963 08	1	HEX. BOLT M8X25X8.8
1110	0070 6002 76	AR	TUBE ID9 OD12 BLACK
1190	0070 6002 68	AR	TUBE ID4 OD6 BLACK
	↻ Substituted by:		0070 7250 04 - TUBE ID4 OD6 BLACK (quantity: 1)
1200	0583 8100 66	1	FITTING
1220	0581 0000 43	1	BULKHEAD 1/8-M16
1220	0570 7017 28	1	BULKHEAD UNION G1/8
1225	0661 1000 40	1	WASHER M16
1226	0852 0010 55	1	BALL VALVE ISO7-R1/8 F-G1/8 M
1240	0070 6002 03	AR	TUBE ID6 OD8 BLACK
1250	1619 6510 00	1	NON RETURN VALVE
1260	0581 0000 87	1	BULKHEAD 1/4-M20
1260	0570 7017 29	1	FITTING PIPE
1270	0661 1000 39	1	WASHER M20
1300	0070 6002 03	AR	TUBE ID6 OD8 BLACK
1330	1622 8551 41	1	EWD
1340	0147 1963 08	1	HEX. BOLT M8X25X8.8
1390	0070 6002 76	AR	TUBE ID9 OD12 BLACK
1470	0070 6002 68	AR	TUBE ID4 OD6 BLACK
	↻ Substituted by:		0070 7250 04 - TUBE ID4 OD6 BLACK (quantity: 1)
1480	0583 8100 66	1	FITTING
1500	0581 0000 43	1	BULKHEAD 1/8-M16
1500	0570 7017 28	1	BULKHEAD UNION G1/8
1505	0661 1000 40	1	WASHER M16
1506	0852 0010 55	1	BALL VALVE ISO7-R1/8 F-G1/8 M
1520	0070 6002 03	AR	TUBE ID6 OD8 BLACK
1550	0583 8100 70	1	FITTING PIPE
1585	1625 7452 10	1	PLATE
1585	1625 7452 12	1	PLATE
1590	0147 1246 03	2	HEX. BOLT M6X16X8.8
1595	0301 2321 00	2	WASHER M6

Ref	Part Number	Qty	Name	EL
1030	1900 5352 00	1	CONTROL BOARD COVER	
1050	0266 2111 00	1	NUT M10	
1050	0266 2111 00	4	NUT M10	
1060	0333 2174 51	1	WASHER M10	
1060	0333 3232 00	4	WASHER M10	
1080	0301 2344 00	1	WASHER M10	
1080	0301 2344 00	4	WASHER M10	
	1900 2193 02	1	CUBICLE Z37VSD-P-ID	
	• 1089 0506 52	204	TERMINAL SWITCH	
2100	• 1625 8610 02	1	DUCT	
2100	• 1625 8610 10	1	CUBICLE 37-55KW	
2105	• 1625 7412 00	1	WIRE HARNESS ZT37-55VSD	
2105	• 1625 8800 28	1	WIRE HARNESS Z37-55VSD	
	• 9820 3748 16	0	SERVICE DIAGRAM	
2116	• 1622 3798 70	1	WIRE HARNESS COMM CABLE	
2202	• 0697 9809 20	1	LOCK NUT M16X1,5	
2203	• 0697 9809 24	2	LOCK NUT M40	
	• 1089 0577 58	2	END RETAINER CLIF FIX35	
	• 1088 0031 81	5	END STOP BRACKET 6MM	
	☞ Substituted by:	1089 0577 82	END RETAINER (quantity: 1)	
2207	• 1900 5350 03	1	Drive 98 kVA Neos	U1
2209	• 1089 9572 08	1	EMC FILTER	L1+Z1
2210	• 1089 9345 02	3	HF-SCREEN	
2213	• 1089 9438 42	1	CONTACTOR	K16
2217	• 1089 9514 61	1	TRANSFORMER	T1
2219	• 1089 9556 04	1	AIR INLET WITH FILTER 325X33	
	•• 1089 9556 22	1	FILTER ELEMENT	
	☞ Substituted by:	1630 0589 04	FILTER AIR (quantity: 1)	
2220	• 1089 9556 04	1	AIR INLET WITH FILTER 325X33	
	•• 1089 9556 22	1	FILTER ELEMENT	
	☞ Substituted by:	1630 0589 04	FILTER AIR (quantity: 1)	
2246	• 1079 9901 61	1	DECAL	
2247	• 1079 9925 28	1	LABEL FUSE VALUES	
2248	• 1088 0031 18	6	ADAPTOR FOR CONNECTOR ON RAIL	
	Electrical legend:	X103-X108-X117		
	• 1088 0031 32	1	CONNECTOR	3X30
	• 1088 0031 43	1	CONNECTOR 3-POLE FEMALE	
	• 1088 0031 46	1	CONNECTOR	3X31
2252	• 1088 0031 64	2	CONNECTOR 4-POLE	X125
2253	• 1088 0031 75	1	CONNECTOR 2-POLE	X126
	• 1088 0031 82	1	CONNECTOR 2-POLE	X107
2255	• 1088 0031 86	1	CONNECTOR 6-POLE	X108
2256	• 1088 0031 90	1	CONNECTOR	X103
2257	• 1088 0031 90	1	CONNECTOR	X117
2258	• 1088 0037 06	1	CONNECTOR 6-POLE	X108
2259	• 1088 0037 10	1	CONNECTOR	X103
2260	• 1088 0037 10	1	CONNECTOR	X117
2261	• 1088 0037 30	1	CONNECTOR 2-POLE	X105
2262	• 1088 0037 30	1	CONNECTOR 2-POLE	1X5
2263	• 1088 0037 31	1	CONNECTOR 3-POLE	X104
2263	• 1088 0037 16	6	TERMINAL	
2264	• 1088 0037 31	1	CONNECTOR 3-POLE	X116
2264	• 1088 0037 17	5	PLATE	




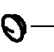





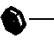
Not Illustrated			
Ref	Part Number	Designation	Qty
2105	1625 8800 28	WIRE HARNESS	1
2116	1622 3798 70	WIRE HARNESS	1
2278	1625 3906 31	CUBICLE DATALABEL	1

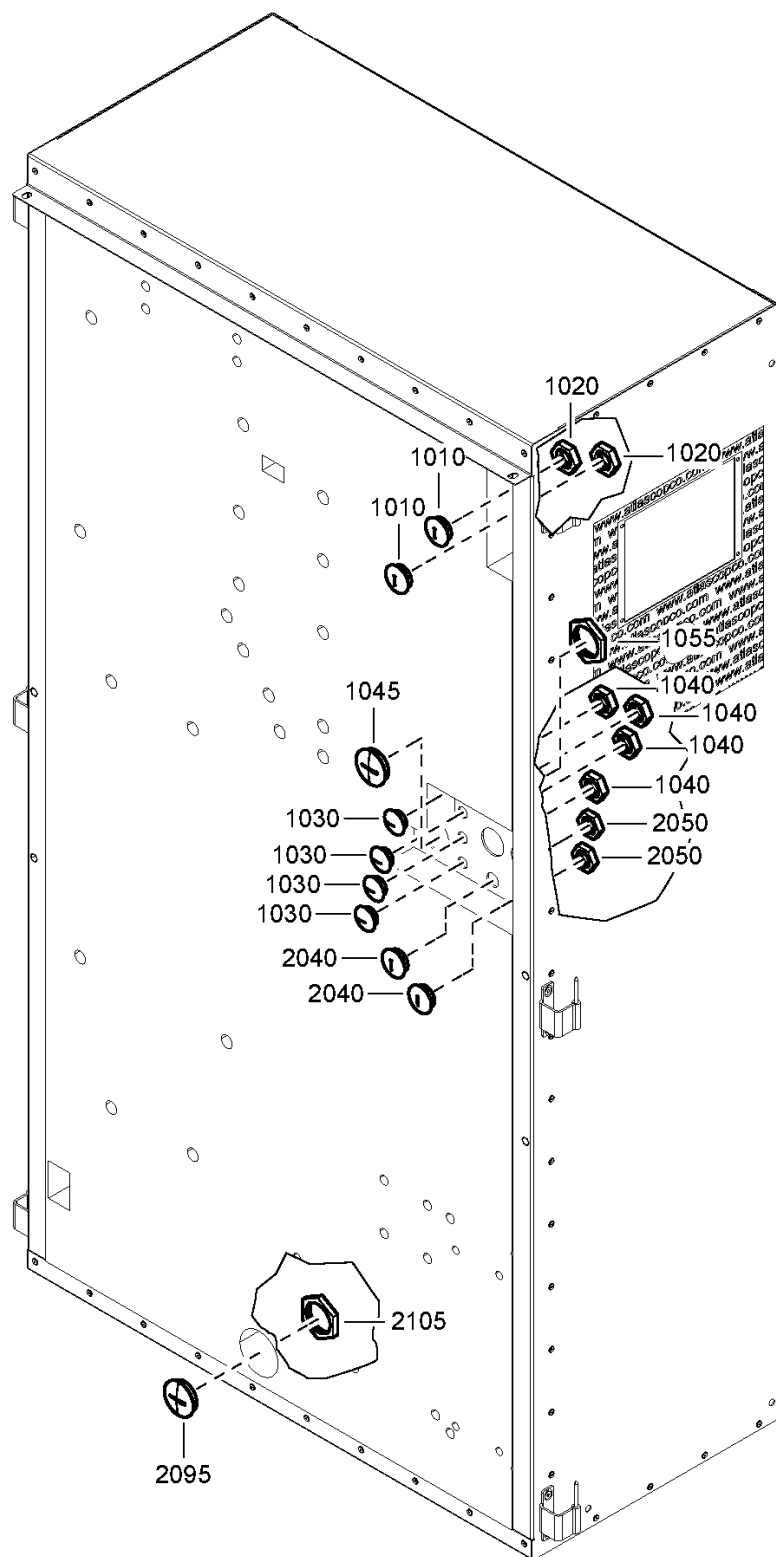


1608 1637 21-22_02

Ref	Part Number	Qty	Name	EL
2265	• 1088 0037 32	1	CONNECTOR 4-POLE	X125
2265	• 1088 0037 18	10	TERMINAL	
2266	• 1088 0037 32	1	CONNECTOR 4-POLE	X125
2266	• 1088 0037 15	5	TERMINAL	
2267	• 1088 0037 33	1	CONNECTOR 5-POLE	X109
2267	• 1088 0037 99	16	PIN	
2268	• 1088 0037 34	1	CONNECTOR 6-POLE	X123
2268	• 1088 0039 93	2	TERMINAL	
2269	• 1088 0037 62	1	CONNECTOR 2-POLE COMBI	X105 to X116
	Electrical legend:	X105 to X116		
2269	• 1088 0039 95	1	PLATE	
2270	• 1088 0037 66	2	CONNECTOR 6-POLE COMBI	X123
	• 1088 0037 81	1	CONNECTOR	2X27
	• 1088 0037 83	1	CONNECTOR	3X33
2273	• 1089 9513 98	1	Emergency stop button	S3
2273	• 1089 9513 89	1	BUTTON EMERGENCY STOP	
	• 1089 0691 01	1	SUB-D MALE CONNECTOR METAL	
2275	• 1089 9482 92	4	CONTACT BLOCK	S3
2276	• 1089 9482 95	1	Holder	S3
2277	• 1613 3431 00	1	DECAL CSA/UL WARNING VOLTAGE	
2278	• 1625 3906 31	1	CUBICLE DATALABEL UL/CUL	
2279	• 1088 0031 02	1	CONNECTOR 2-POLE	
2280	• 1079 9925 28	1	LABEL FUSE VALUES	
2282	• 1089 0612 01	2	FUSE HOLDER 3NW7013	F1-F2
2283	• 1089 9168 34	2	FUSE LINK 6A	F1-F2
2285	• 1089 9427 06	3	TERMINAL	X152
2286	• 1089 9427 07	1	TERMINAL	X152
2287	• 1088 0032 17	1	RELAY 115 VAC	K20
	• 1088 0039 04	3	TERMINAL	X104A
	• 1088 0039 02	1	PLATE	X104A
	• 1088 0037 99	1	PIN	X104A
2294	• 1089 0649 27	2	CONTACT MODULE	
2299	• 1089 9427 15	2	KEY	
2300	• 1088 0032 09	1	CONNECTOR	
2301	• 0090 1400 02	1	MOUNTING RAIL 35 X 15	
2303	• 1088 1001 01	2	WARNING MARK	

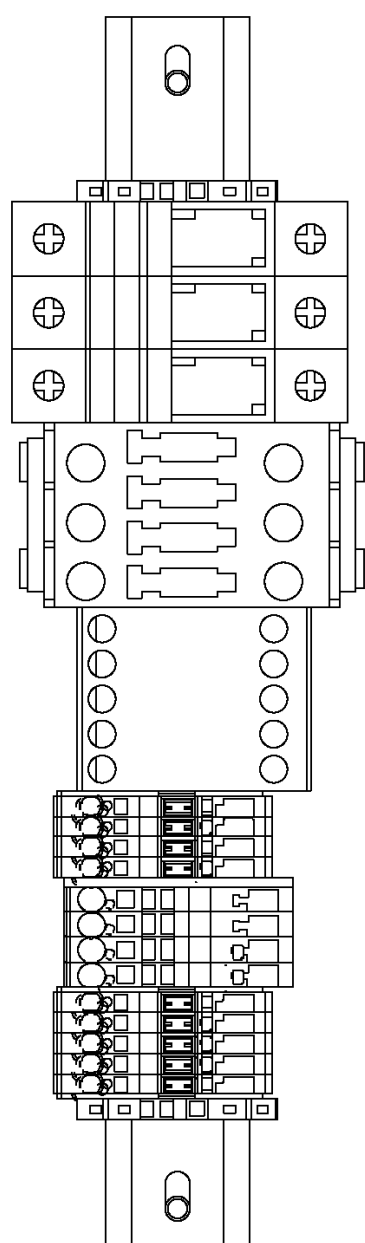
Not Illustrated			
Ref	Part Number	Designation	Qty
2030	1622 0663 08	CABLE TEMP.SENSOR	1

	1100		2060
	1110		2070
	2010		2080
	2020		2090



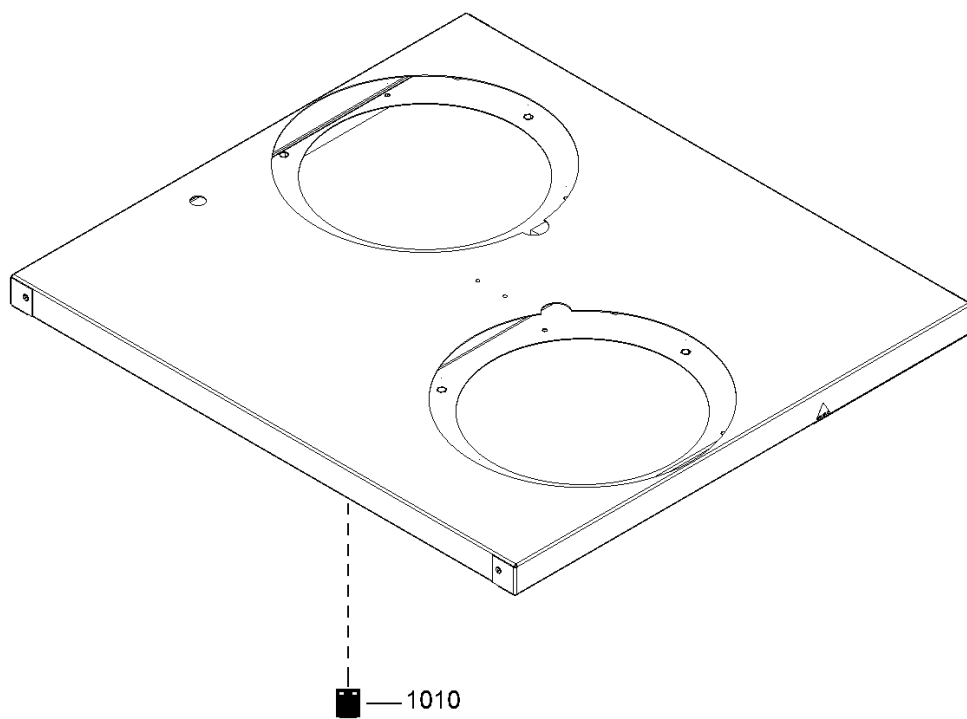
1608 1626 10-1608 1627 10_01

Ref	Part Number	Qty	Name
1010	0697 9810 26	3	PLUG M20
1020	0697 9809 21	3	LOCK NUT M20
1030	0697 9810 25	4	PLUG M16
1040	0697 9809 20	4	LOCK NUT M16X1,5
1045	0697 9810 30	1	PLUG M50
1055	0697 9809 25	1	NUT M50
1100	1088 1301 04	18	CABLE STRIP
1110	0348 0102 12	11	CABLE TIE
2010	1089 0574 12	1	TEMP.SENSOR (AMBIENT)
2020	0989 4220 15	1	GROMMET
2030	1622 0663 08	1	CABLE TEMP.SENSOR
2040	0697 9810 26	3	PLUG M20
2050	0697 9809 21	3	LOCK NUT M20
2060	0697 9810 25	3	PLUG M16
2070	0697 9809 20	3	LOCK NUT M16X1,5
2080	0698 5140 71	1	CABLE GLAND M16
2090	0697 9809 20	1	LOCK NUT M16X1,5
2095	0697 9810 30	1	PLUG M50
2105	0697 9809 25	1	NUT M50



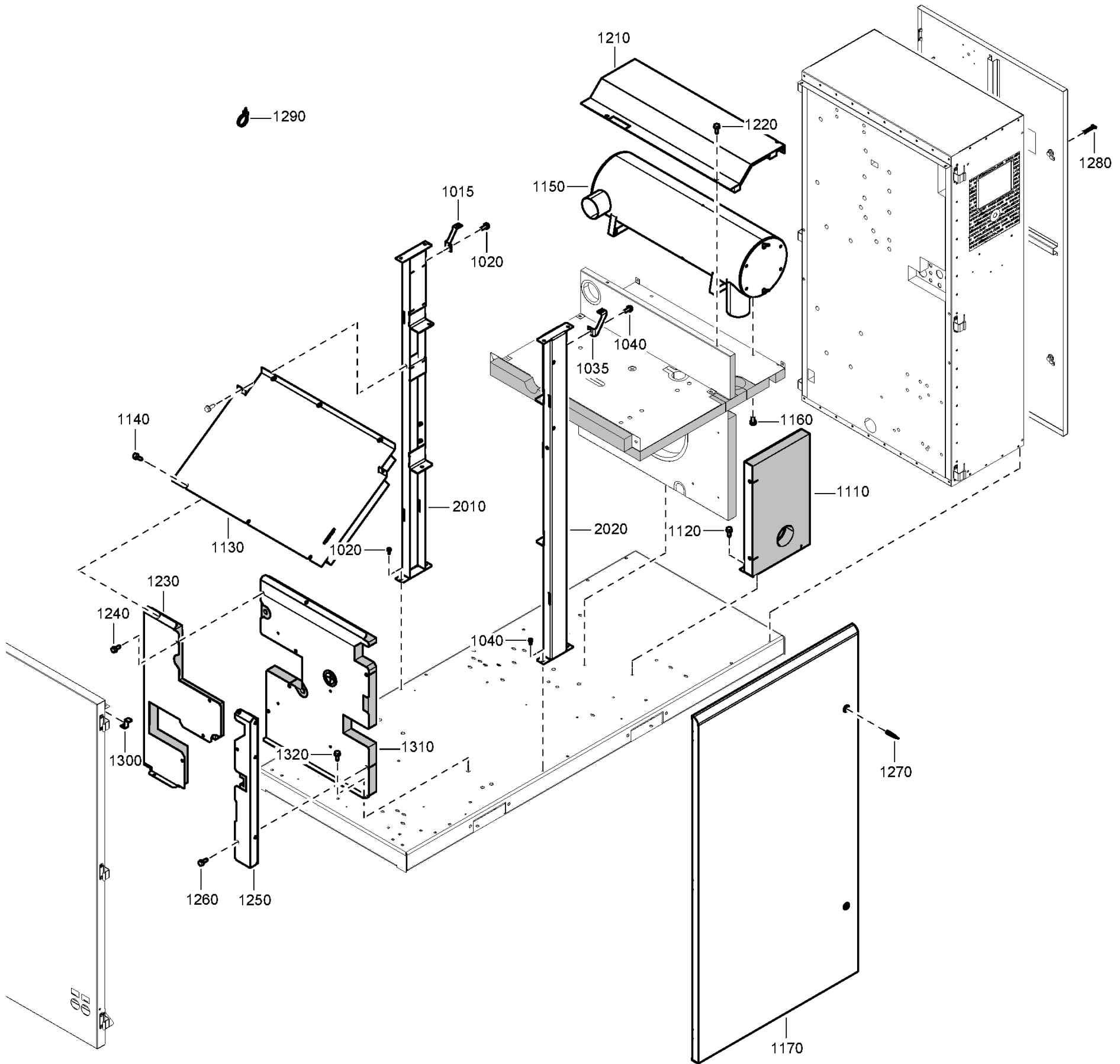
1608 1633 17-19_02

Ref	Part Number	Qty	Name
	1900 2195 35	1	DRYER RAIL IEC
	• 9820 3748 26	0	SD ID100-286 3PH
1050	• 0090 1400 02	1	MOUNTING RAIL 35 X 15
1065	• 1079 9930 87	1	LABEL
1080	• 1088 0039 04	10	TERMINAL
1100	• 1088 0039 03	3	TERMINAL
1120	• 1088 0039 02	3	PLATE
1140	• 1088 0037 99	7	PIN
1190	• 1088 0039 26	1	CONNECTOR
1200	• 1089 0577 58	2	END RETAINER CLIF FIX35
1220	• 1089 0612 01	3	FUSE HOLDER 3NW7013
1260	• 1089 0612 61	3	FUSE 12A
1290	• 1089 9438 42	1	CONTACTOR
1300	• 1089 9438 68	1	CONTACTOR -
1330	• 1089 9427 12	1	CONNECTOR
	1900 2661 02	1	DRYER RAIL IEC



1608 1631 50-51-52-53_01

Ref	Part Number	Qty	Name
------------	--------------------	------------	-------------

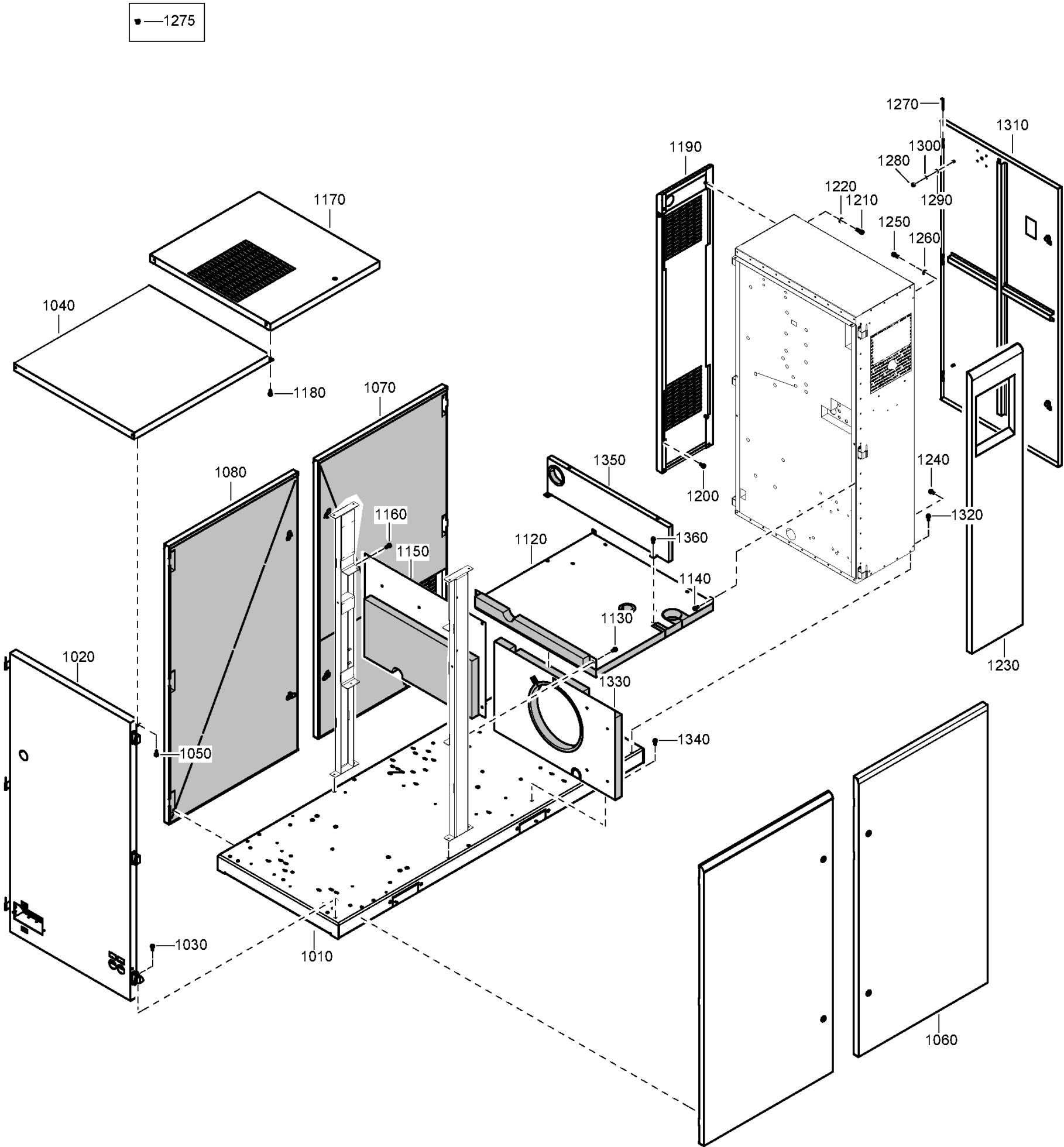


1608 1620 53_01

Ref	Part Number	Qty	Name	R.
1015	1622 8119 00	1	SUPPORT	
1020	0147 1963 08	3	HEX. BOLT M8X25X8.8	
1035	1622 8118 00	1	SUPPORT	
1040	0147 1963 08	3	HEX. BOLT M8X25X8.8	
1110	1625 7446 81	1	BAFFLE	
	• 1625 7446 80	1	BAFFLE	
	••	1	INSULATION	1)
1120	0147 1963 08	3	HEX. BOLT M8X25X8.8	
1130	1622 4967 80	1	BAFFLE	
	•	1	SILENCING FOAM	1)
1140	0147 1963 08	6	HEX. BOLT M8X25X8.8	
1150	1625 8561 80	1	SILENCER	
	• 0147 1963 08	6	HEX. BOLT M8X25X8.8	
	• 1622 7043 00	1	SEAL	
	• 1622 7044 00	1	COVER	
	• 1622 5824 00	1	COVER	
	• 0223 1322 02	2	WING SCREW M8X16	
1160	0147 1963 08	4	HEX. BOLT M8X25X8.8	
1170	1625 8810 71	1	DOOR	
	•	1	INSULATION SILENCING FOAM	2)
	• 1622 7537 80	2	LOCK	
1210	1625 8834 80	1	BAFFLE	
	•	1	INSULATION	3)
	•	1	SILENCING FOAM	4)
	•	1	SILENCING FOAM	4)
	•	1	SILENCING FOAM	4)
1220	0147 1963 08	4	HEX. BOLT M8X25X8.8	
1230	1622 7549 80	1	BAFFLE	
	•	1	INSULATION SILENCING FOAM	1)
1240	0147 1963 08	4	HEX. BOLT M8X25X8.8	
1250	1622 7547 80	1	BAFFLE	
	•	1	INSULATION SILENCING FOAM	1)
1260	0147 1963 08	2	HEX. BOLT M8X25X8.8	
1270	1089 9068 01	2	KEY	
1280	1089 9154 02	1	KEY	
1290	1088 1301 03	1	TIE	
	↻ Substituted by:	0348 0101 05	- CABLE TIE (quantity: 1)	
1300	1622 7287 80	4	PLATE	
	• 1619 5188 00	AR	SEAL	
1310	1622 7552 80	1	BAFFLE	
	•	1	INSULATION SILENCING FOAM	1)
	• 1088 0803 27	1	GROMMET D=64MM	
1320	0147 1963 08	2	HEX. BOLT M8X25X8.8	
2010	1622 4916 80	1	STAY	
	•	1	SILENCING FOAM	1)
	•	1	SILENCING FOAM	1)
2020	1622 6061 80	1	STAY	
	•	1	SILENCING FOAM	1)
	•	1	SILENCING FOAM	1)

Remarks:

1) Foam: 0395 6001 69 (AR) 50 x 2040 x 1650 (self-adhesive) 2) Foam: 0395 6001 68 (AR) 40 x 2040 x 1650 (self-adhesive) 3) Foam: 0395 6001 66 (AR) 25 x 2040 x 1650 (self-adhesive) 4) Foam: 0395 6001 67 (AR) 30 x 2040 x 1650 (self-adhesive)

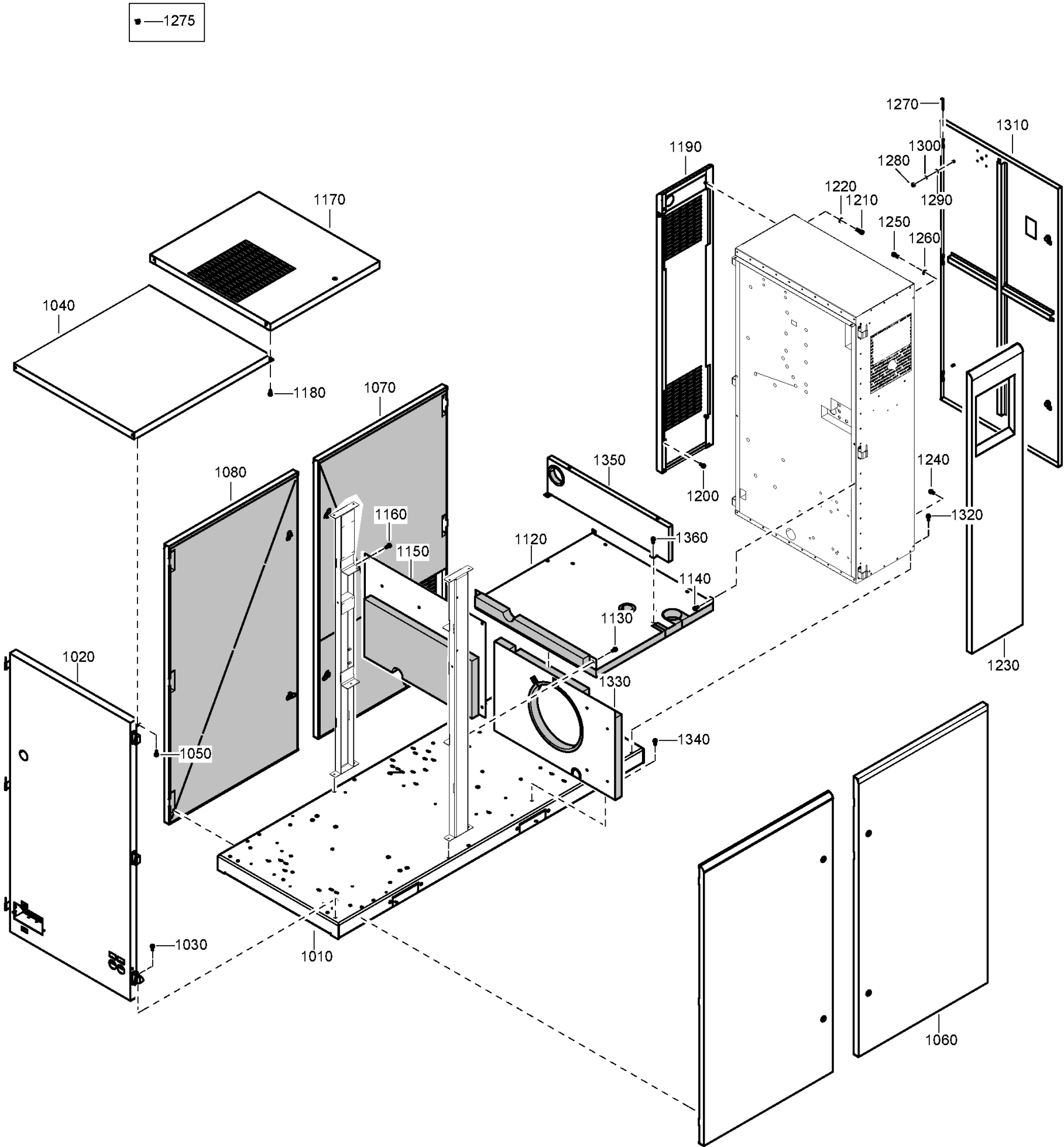


1608 1628 54_01

Ref	Part Number	Qty	Name	R.
1010	1625 8887 80	1	FRAME	
1020	1622 8992 82	1	PANEL	
	•	1	SILENCING FOAM	1)
	•	1	SILENCING FOAM	1)
1030	0147 1963 08	4	HEX. BOLT M8X25X8.8	
1040	1622 6043 81	1	BAFFLE	
	•	1	SILENCING FOAM	
1050	0147 1963 08	6	HEX. BOLT M8X25X8.8	
1060	1625 8810 41	1	DOOR	
	•	1	INSULATION SILENCING FOAM	2)
	• 1622 7537 80	2	LOCK	
1070	1622 7099 81	1	DOOR	
	• 1622 7099 80	1	DOOR	
	☞ Substituted by:	1622 7099 81 - DOOR (quantity: 1)		
	••	1	INSULATION SILENCING FOAM	2)
	••	1	INSULATION SILENCING FOAM	2)
	•• 1622 7537 80	2	LOCK	
1080	1622 7093 81	1	DOOR -	
	• 1622 7093 80	1	DOOR	
	☞ Substituted by:	1622 7093 81 - DOOR - (quantity: 1)		
	••	1	INSULATION SILENCING FOAM	2)
	•• 1622 7537 80	2	LOCK	
1120	1622 6009 80	1	BAFFLE	
	•	1	SILENCING FOAM	1)
	•	1	SILENCING FOAM	1)
1130	0147 1963 08	2	HEX. BOLT M8X25X8.8	
1140	0147 1963 08	2	HEX. BOLT M8X25X8.8	
1150	1622 4945 81	1	BAFFLE	
	• 1622 4945 80	1	BAFFLE	
	☞ Substituted by:	1622 4945 81 - BAFFLE (quantity: 1)		
	••	1	SILENCING FOAM	1)
1160	0147 1963 08	4	HEX. BOLT M8X25X8.8	
1170	1622 8108 80	1	ROOF	
	•	1	INSULATION SILENCING	1)
	•	1	INSULATION SILENCING	1)
	•	1	INSULATION SILENCING FOAM	1)
1180	0147 1963 08	4	HEX. BOLT M8X25X8.8	
1190	1625 7470 82	1	PANEL	
1200	0147 1963 08	2	HEX. BOLT M8X25X8.8	
1210	0211 1325 03	2	HEX. SOCK M8X25X8.8	
1220	0301 2335 00	2	WASHER M8	
1230	1625 8810 60	1	PANEL	
1240	0147 1963 08	2	HEX. BOLT M8X25X8.8	
1250	0211 1325 03	2	HEX. SOCK M8X25X8.8	
1260	0301 2335 00	2	WASHER M8	
1270	1613 9532 00	3	PIN	
1275	1619 2765 00	1	SCREW(SELF TAPPING)	
1280	0266 2110 00	2	NUT M8	
1290	0301 2335 00	4	WASHER M8	
1300	0333 3227 00	2	WASHER M8	
1310	1622 6031 82	1	CUBICLE DOOR	

Remarks:

1) Foam: 0395 6001 69 (AR) 50 x 2040 x 1650 (self-adhesive) 2) Foam: 0395 6001 68 (AR) 40 x 2040 x 1650 (self-adhesive)

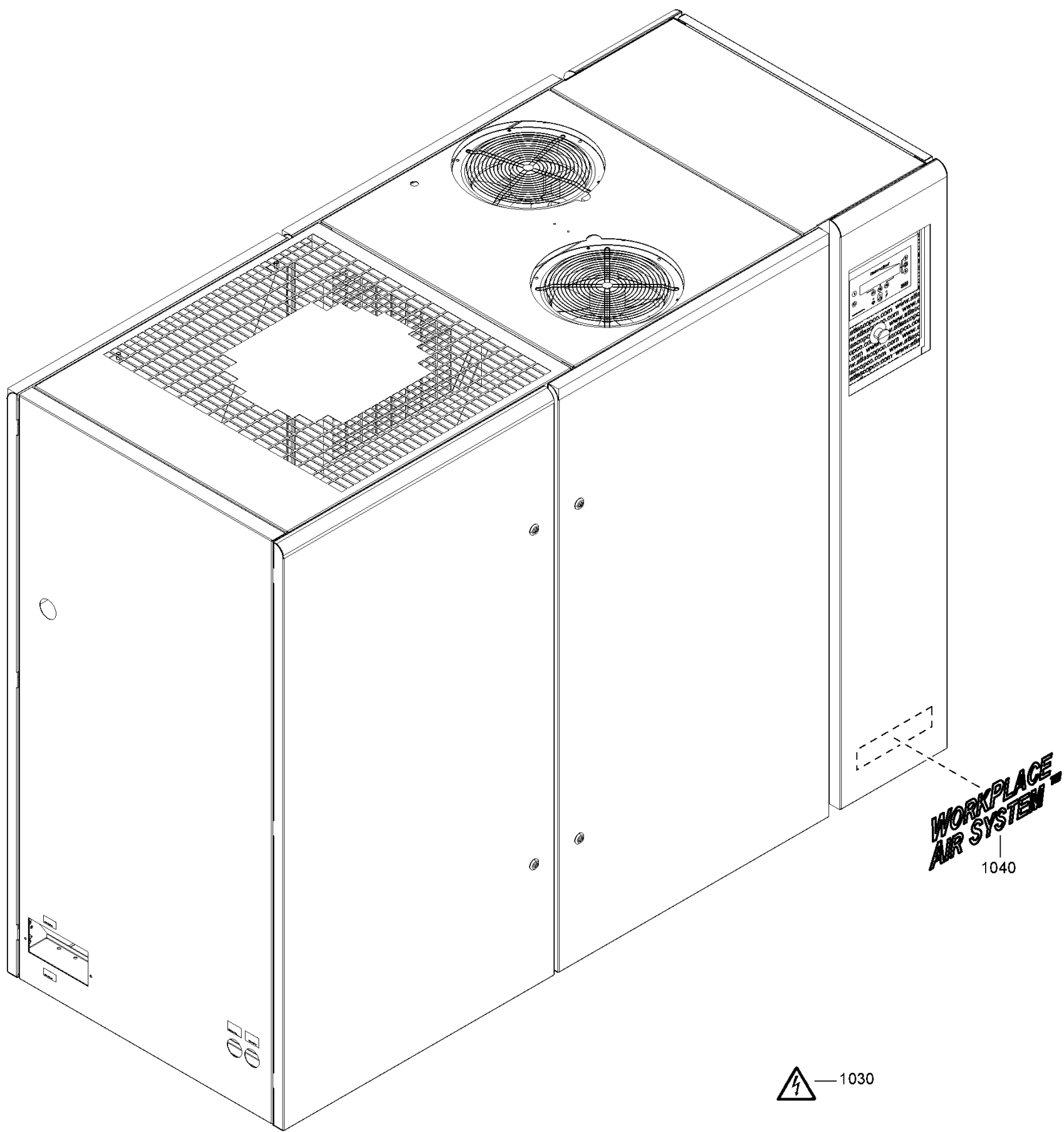


1608 1628 54_01

Ref	Part Number	Qty	Name	R.
	• 1622 0000 20	1	DECAL SYMBOLS	
	• 1619 7705 00	2	LOCK	
1320	0147 1963 08	4	HEX. BOLT M8X25X8.8	
1330	1625 7445 91	1	BAFFLE MOTOR	
	•	1	FOAM	1)
	•	1	INSULATION	1)
1340	0147 1963 08	3	HEX. BOLT M8X25X8.8	
1350	1625 8564 80	1	BAFFLE	
	•	1	INSULATION	1)
1360	0147 1963 08	2	HEX. BOLT M8X25X8.8	

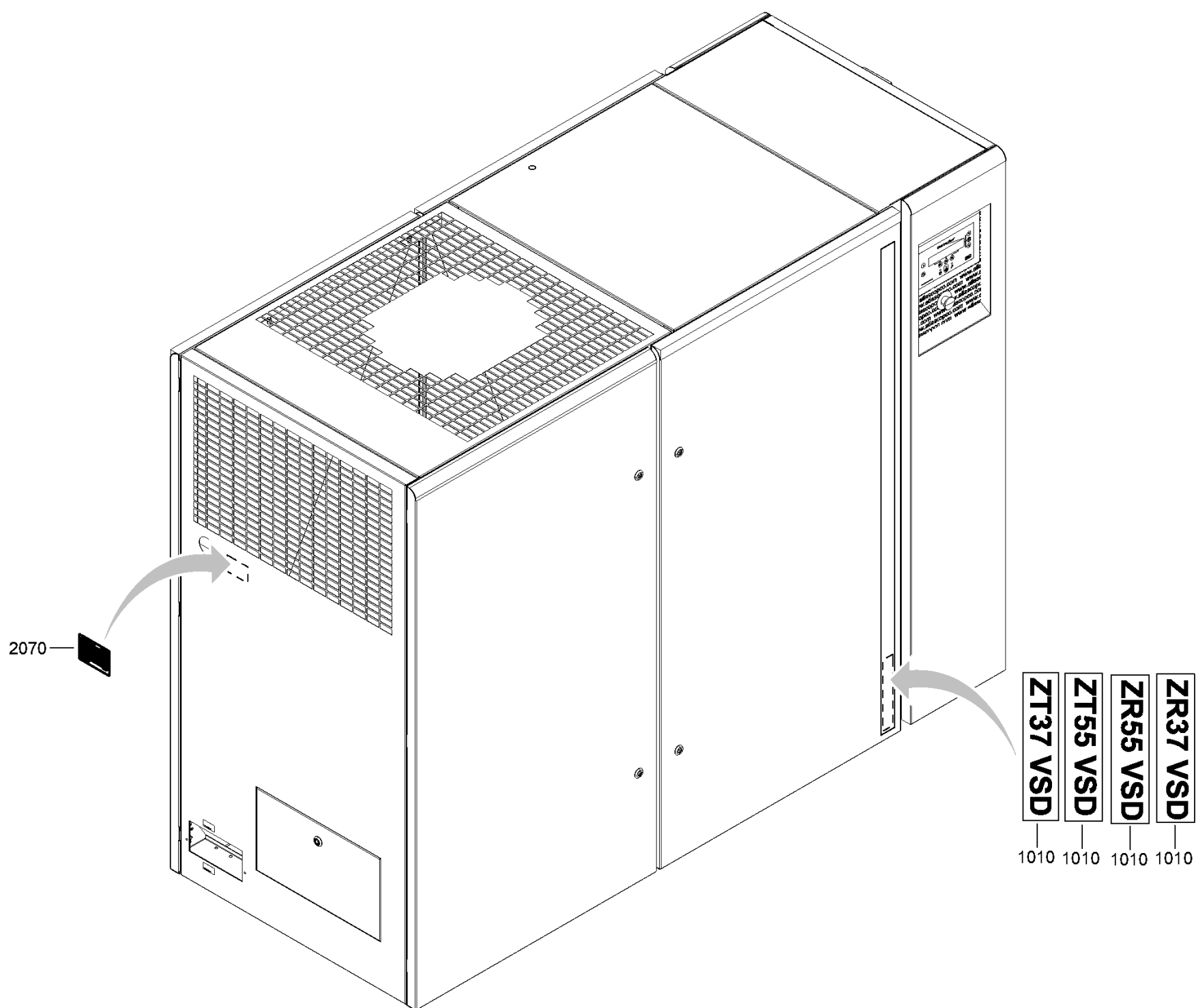
Remarks:

1) Foam: 0395 6001 69 (AR) 50 x 2040 x 1650 (self-adhesive) 2) Foam: 0395 6001 68 (AR) 40 x 2040 x 1650 (self-adhesive)



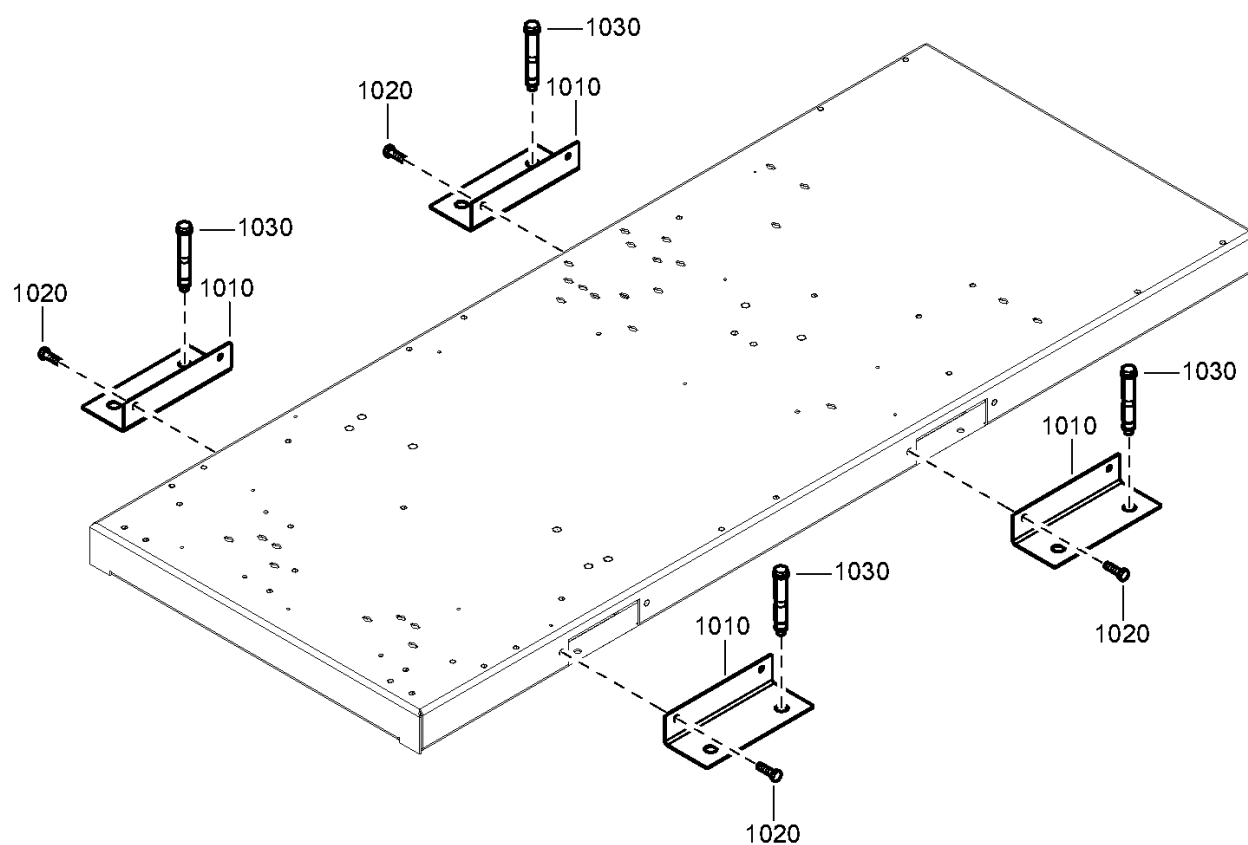
1608 1623 02_01

Ref	Part Number	Qty	Name
1030	1088 1001 01	2	WARNING MARK
1040	1613 9846 01	1	DECAL



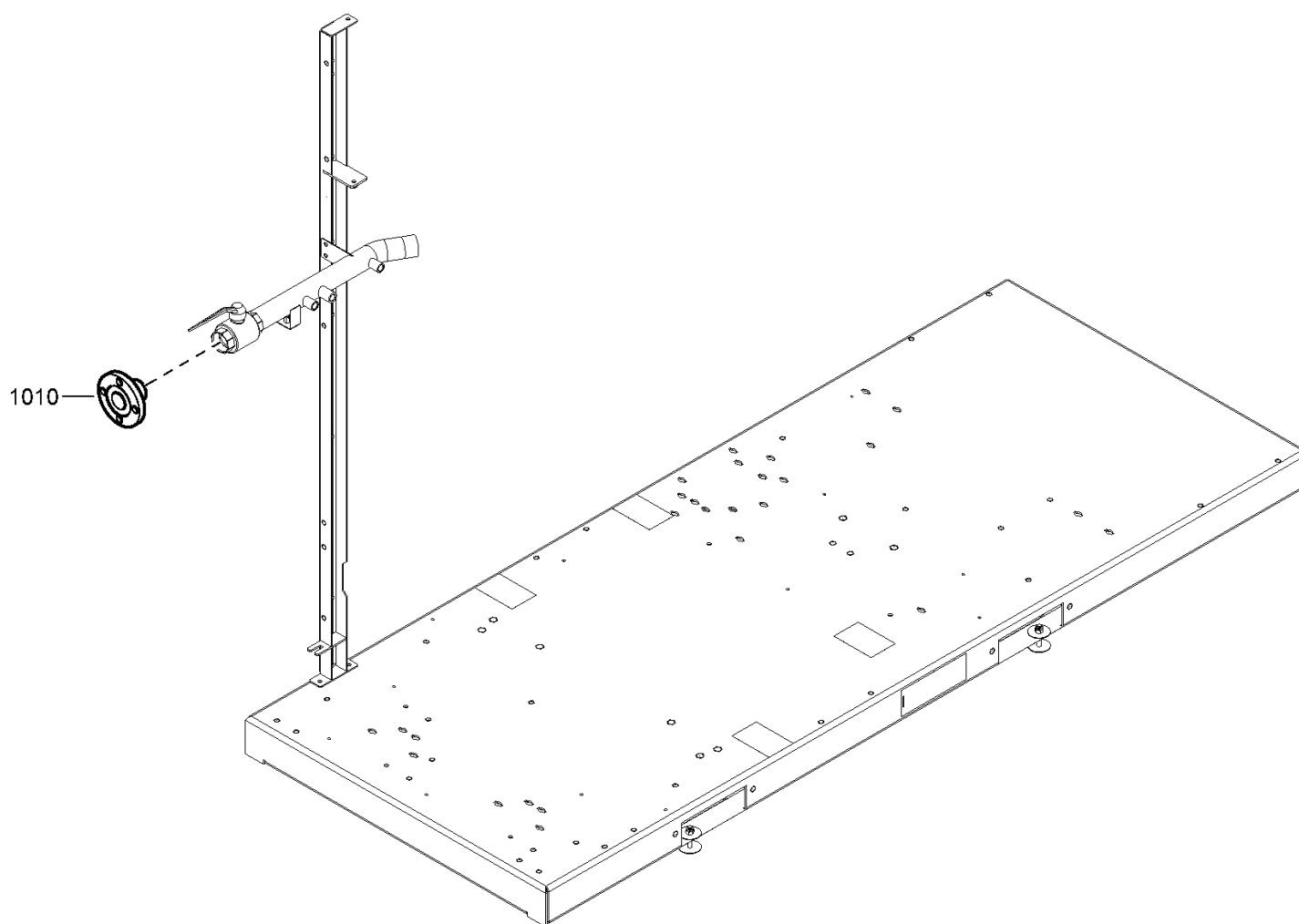
1608 1624 20-22-1608 1639 19-21-23-25_01

Ref	Part Number	Qty	Name
1010	1625 8610 82	1	DECAL
1010	2204 2199 00	1	DECAL PROP 65
2070	1625 8499 16	2	PLATE DATA ATLAS NON CE
2070	1625 8499 00	2	PLATE DATA ATLAS COPCO CE
2070	1625 8499 16	2	PLATE DATA ATLAS NON CE



1608 1640 50_01

Ref	Part Number	Qty	Name
1010	1622 5841 00	4	SUPPORT
1020	0147 1363 03	8	HEX. BOLT M10X30X8.8
1030	0226 9929 15	8	WEDGE BOLT M16X147X8.8



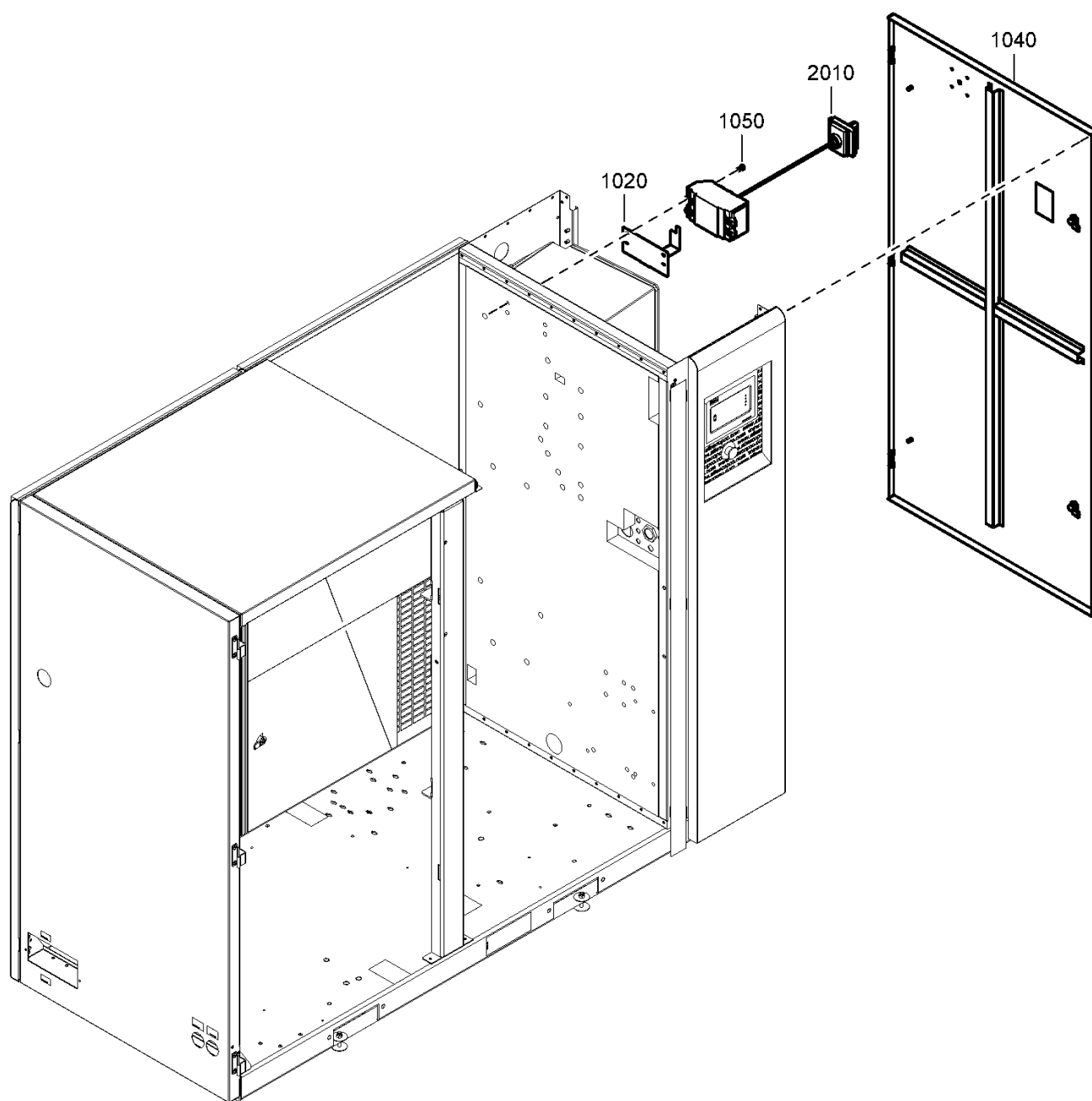
1608 0930 51_01

20.2 - ANSI flange



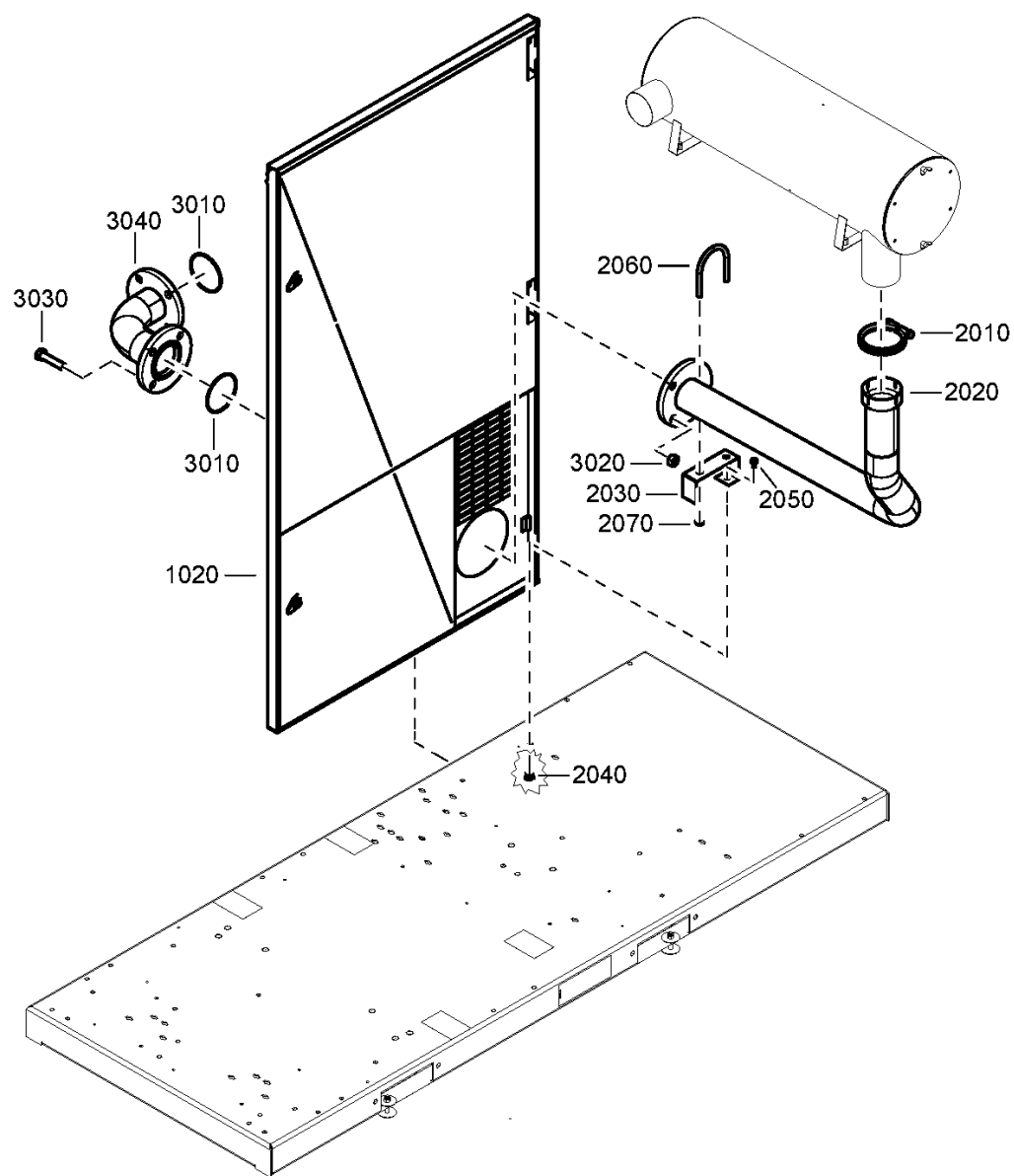
Ref	Part Number	Qty	Name
1010	1622 2656 00	1	ADAPTER

Not Illustrated			
Ref	Part Number	Designation	Qty
2020	1088 0051 13	End Socket	3



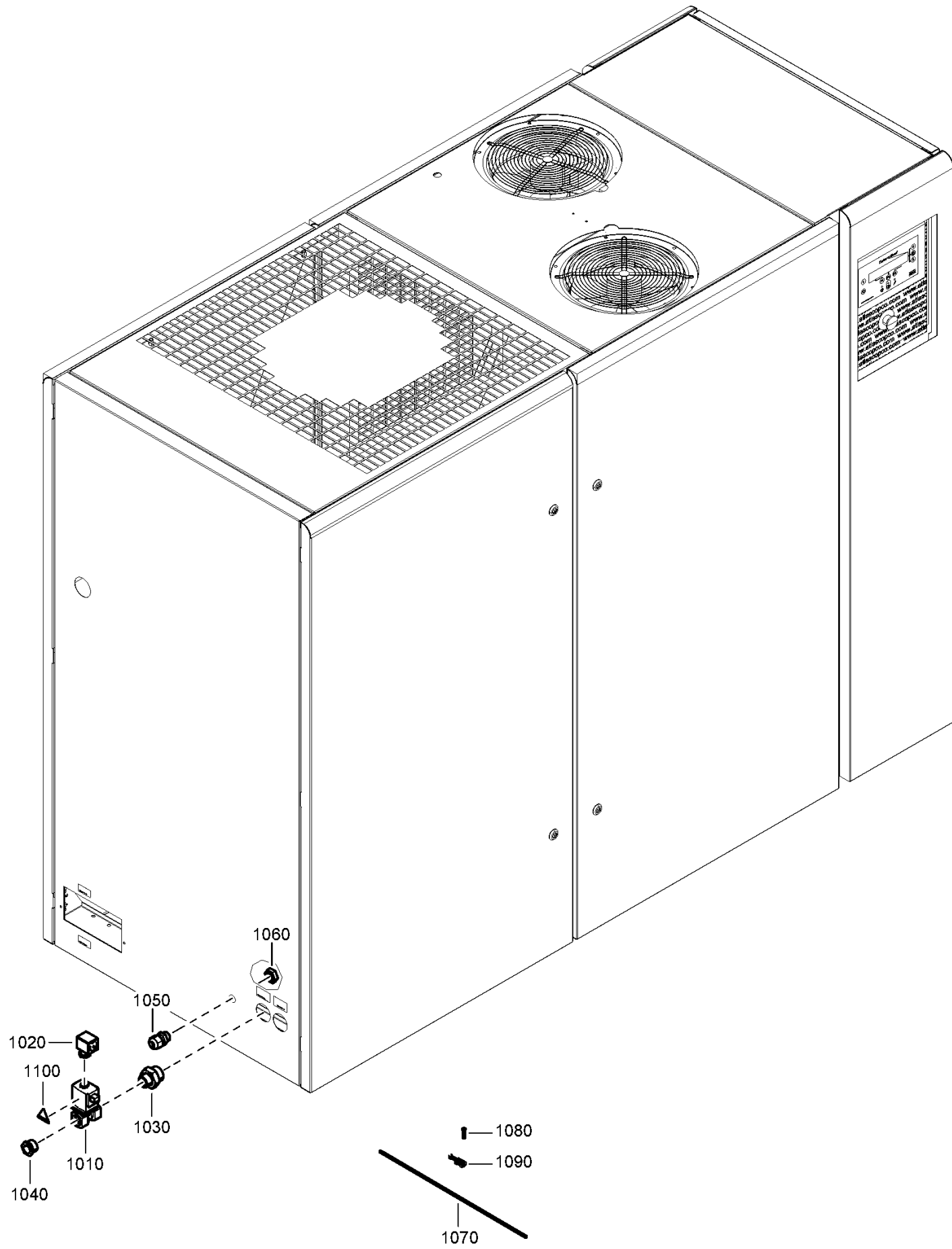
1608 1643 01-03_01

Ref	Part Number	Qty	Name
1020	1625 5609 14	1	SUPPORT MAINSWITCH MAS30-90
1040	1625 8800 08	1	DOOR PANEL
	• 1622 0000 20	1	DECAL SYMBOLS
	• 1619 7705 00	1	LOCK
1050	0147 1205 03	4	HEX. BOLT M5X12X8.8
2010	1089 9445 20	1	SWITCH EM. STOP
2020	1088 0051 13	3	END SOCKET 50MM ²



1608 1645 51_01

Ref	Part Number	Qty	Name
1020	1625 8814 80	1	DOOR
	• 1625 7095 00	1	PLATE
	•	1	INSULATION SILENCING FOAM
	• 1622 7212 00	2	LOCK
2010	0346 3001 04	1	CLAMP
2020	1625 8813 00	1	PIPE FX1340
2030	1622 8929 00	1	SUPPORT
2040	0298 1000 43	1	RIVET NUT M8
2050	0147 1963 08	1	HEX. BOLT M8X25X8.8
2060	0346 2900 27	1	U-BOLT M12X124XSTEEL
2070	0261 2112 00	2	NUT M12
3010	0663 2109 61	2	O-RING 108X3
	↻ Substituted by:	0663 2110 31	- O-RING 108X3.2 (quantity: 1)
3020	0261 1090 84	4	NUT M18
3030	0147 1964 31	4	HEX. BOLT M18X80X8.8
3040	1622 8900 00	1	PIPE FX430XF



1608 1649 50_01

Ref	Part Number	Qty	Name
1010	1089 0624 12	1	SOLENOID VALVE110V50/60HZ10BAR
1020	1088 0150 06	1	CONNECT.HEAD
1030	0603 5120 03	1	NIPPLE ISO7-R 1 1/4 X ISO7-R 1
1040	0605 8300 66	1	BUSHING
1050	0698 5140 71	1	CABLE GLAND M16
1060	0697 9809 20	1	LOCK NUT M16X1,5
1070	0017 2317 03	AR	CABLE 3GAWG16
1070	0017 2317 33	AR	CABLE
1080	0694 5807 00	5	END SOCKET 1,5MM ²
1080	0694 5820 01	5	END SOCKET 0,75MM ²
1090	0694 5285 13	1	CABLE LUG 0.5-1.5MM ²
1100	1088 1001 01	1	WARNING MARK