

# Atlas Copco Stationary Air Compressors

ZR 450, ZR 500, ZR 630, ZR 750

## Parts list

From following serial Nr. on : AIF 105 200

- Copyright 2006, Atlas Copco Airpower n.v., Antwerp, Belgium.  
Any unauthorized use or copying of the contents or any part thereof is prohibited.  
This applies in particular to trademarks, model denominations, part numbers and drawings.
- **Use only authorized parts.** Any damage or malfunction caused by the use of unauthorized parts is not covered by Warranty or Product Liability.

**No. 9829 3080 70**  
Replaces No. 2930 1475 01

**Registration code :** APC Z 300-750 / 39

2008-5

[www.atlascopco.com](http://www.atlascopco.com)

**Atlas Copco**

Contents  
Inhoud  
Innehåll  
Inhaltsverzeichnis  
Table des matières  
Indice

Indice  
Innehållsförteckning  
Indice  
Indholdsfortegnelse  
Sisällysluettelo

Gear casing and drive gear  
Tandwielkast en aandrijving  
Växelhus och drivning  
Getriebegehäuse und Antriebsrad  
Carter d'engrenages et entraînement  
Cárter de engranajes y accionamiento  
Scatola ingranaggi e ingranaggio conduttore  
Gearkasse og drivhjul  
Carter de engrenagens e accioanamento  
Girkasse og drivhjul  
Vaihteen kotelo ja hihnapyörä ..... 1

Air inlet  
Luchtinlaat  
Luftintag  
Lufteinlaß  
Admission d'air  
Entrada de aire  
Presa d'aria  
Luftindsug  
Admissão de ar  
Luftinnløp  
Tuloilma ..... 2

Air flow  
Luchtstroming  
Luftflöde  
Luftstrom  
Flux d'air  
Flujo de aire  
Flusso d'aria  
Luftflow  
Fluxo de ar  
Luftstrøm  
Ilman virtaus ..... 3

Air outlet  
Luchtuitlaat  
Luftutlopp  
Luftauslaß  
Sortie d'air  
Salida de aire  
Mandata dell'aria  
Luftafgang  
Saída de ar  
Luftutløp  
Paineilmaputki

- Water and air connections - With aftercooler ..... 4  
- Water and air connections - With aftercooler -  
With Energy ..... 5  
- Water and air connections - Hot air variant ..... 6

Water system  
Watersysteem  
Vattensystem  
Wassersystem  
Système d'eau  
Sistema de agua  
Sistema dell'acqua  
Vandsystem  
Sistema de água  
Vannsystem  
Vesijärjestelmä

- No ENergy RECoverY ..... 7  
- With ENergy RECoverY ..... 8

Drain system  
Aftapsysteem  
Avtappingssystem  
Abläßsystem  
Système de vidange  
Sistema de drenaje  
Sistema di scarico  
Drænsystem  
Sistema de drenagem de condensados  
Avtappingssystem  
Lauhteenpoistojärjestelmä

- Basic version ..... 9  
- Electronic water drain ..... 10

Coolers  
Koelers  
Kylare  
Kühler  
Refrigidisseurs  
Refrigeradores  
Refrigeratorei  
Kølere  
Refrigeradores  
Kjølere  
Jäähdyttime

- With aftercooler ..... 11  
- Hot air variant ..... 12  
- Water separator parts - With aftercooler ..... 13  
- Water separator parts - Hot air variant ..... 14

Oil system  
Oliesysteem  
Oljesystem  
Ölsystem  
Système d'huile  
Sistema de aceite  
Sistema dell'olio  
Oliesystem  
Sistema de óleo  
Oljesystem  
Voitelujärjestelmä

With Single Oil filter ..... 15  
- With Duplex Oil filter ..... 16

Contents
Inhoud
Innehåll
Inhaltsverzeichnis
Table des matières
Indice

Indice
Innholdsfortegnelse
Indice
Indholdsfortegnelse
Sisällysluettelo

Drive arrangement		Bodywork	
Aandrijfuitvoering		Carrosserie	
Drivarrangemang		Karosseri	
Antriebsanordnung		Karosserie	
Entraînement		Capotage	
Accionamiento		Carrocería	
Azionamento		Cappottatura	
Arrangement		Karosseri	
Accionamento		Carroceria	
Drivarrangement		Kabinett	
Rakenne		Kotelo	
- Arrangement E - Low Voltage motor .....	17	- Cubicle box .....	25
- Arrangement E - Medium Voltage motor .....	18	- Mountings on frame .....	26
- Arrangement 1 .....	19	- Doors and stays .....	27
Control module		- Motor baffles - Separate air inlet .....	28
Stuurmodule		- Motor baffles - No Separate air inlet .....	29
Kontrollmodul		- Motorhood - Without motor .....	30
Steuermodul		- Air inlet panels - Without Pre-filter kit .....	31
Module de commande		Service kits	
Módulo de mando		Service kits	
Modulo di controllo		Service kits	
Kontrollmodul		Service Kits	
Kontrolmodul		Service kits	
Módulo de comando		Service kits	
Ohjainlaite		Kit per la manutenzione	
- Basic version .....	20	Service kits	
- SPM monitoring .....	21	Conjunto de reparação	
Cubicle(s)		Servicesett	
Kast(en)		Huoltotarvikesarjat .....	32
Skåp			
Schaltschrank(en)			
Armoire(s)			
Armario			
Armadio elettrico			
Elskab			
Quadro			
Skap			
Kotelo			
- ZR 450 380-400-500V / 50Hz, ZR 450 440V / 60Hz, ZR 450 575V/60Hz, ZR 500 400-500V/50Hz .....	22		
- No motor .....	23		
- ZR 450 380-460V / 60Hz, ZR 500 380V/50Hz, ZR 500, ZR 500 380-440-460-575V/60Hz .....	24		

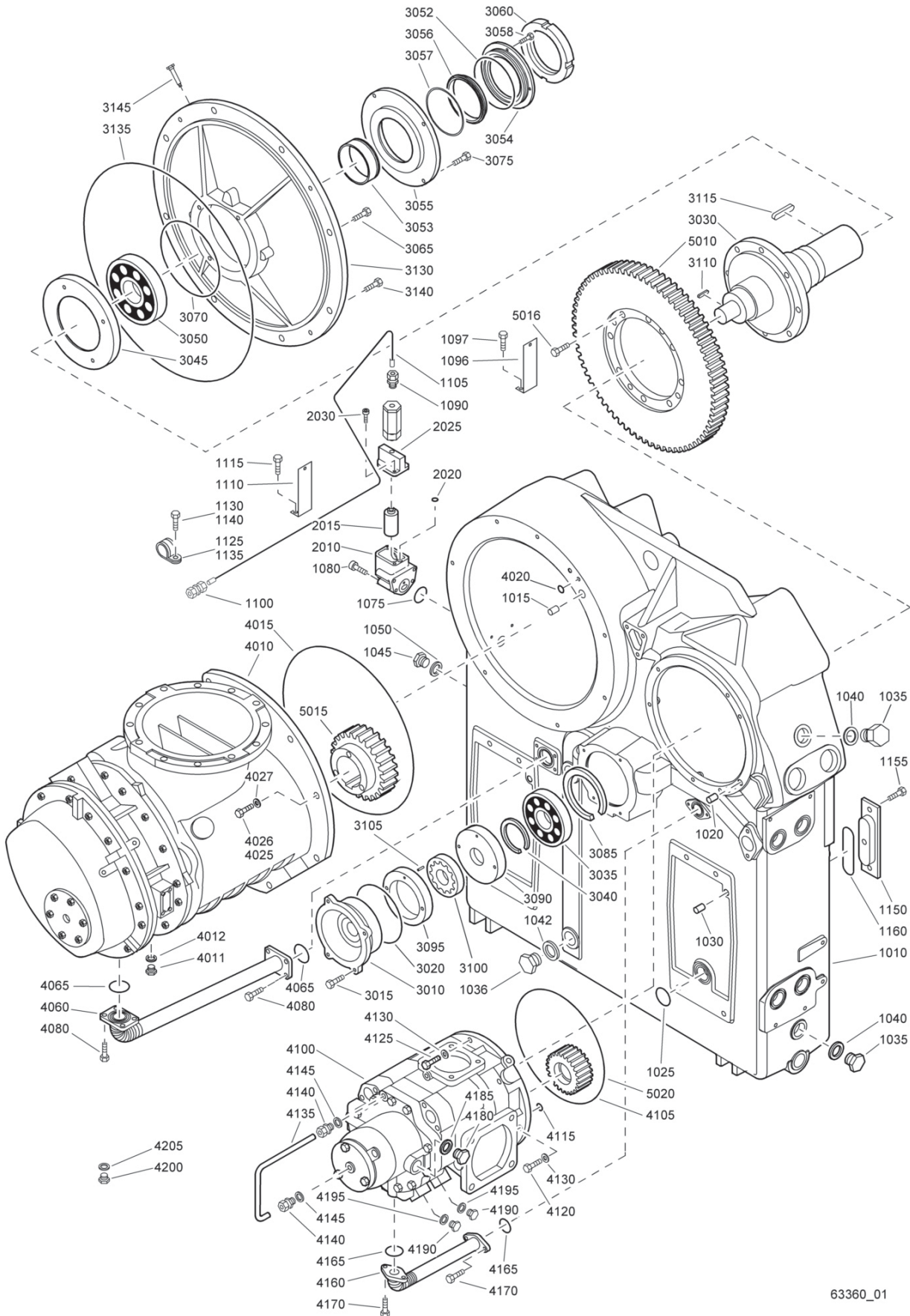


## Gear casing and drive gear

1

Ref.	Partnumber	Qty	Name	Remarks	Ref.	Partnumber	Qty	Name	Remarks
1010		1	Gear casing		3035	0508 1100 70	1	Roller bearing	
	1616 6410 04		ZR 450 50Hz 7.5bar(e)		3040	0335 1165 00	1	Ext.circlip	
	1616 6410 04		ZR 450 50Hz 8.6bar(e)		3045	1616 6291 00	1	Ring	
	1616 6410 03		ZR 450 50Hz 10bar(e)		3050	0506 0100 13	1	Roller bearing	
	1616 6410 04		ZR 450 60Hz		3052	0663 2107 76	1	O-ring	
	1616 6410 03		ZR 500		3053	1621 4067 00	1	Bush	
	1616 6410 02		ZR 630 50Hz		3054	1621 4068 00	1	Flange	
	1616 6410 03		ZR 630 60Hz		3055	1621 4069 00	1	Flange	
	1616 6410 01		ZR 750 50Hz		3056	2250 8193 00	1	Seal ring	
	1616 6410 02		ZR 750 60Hz		3057	2250 8191 00	1	Spring wave	
1015	0101 1951 53	1	Pin		3058	0147 1246 03	4	Bolt	
1020	0101 1951 49	1	Pin		3060	0295 3122 00	1	Locknut	
1025	0663 2108 08	1	O-ring		3065	0211 1373 00	4	Cap screw	
1030	0101 1951 52	2	Pin		3070	0663 2107 52	1	O-ring	
1035	0686 3716 09	2	Plug		3075	0147 1367 03	4	Bolt	
1036	0686 3716 09	2	Plug		3085	0335 2184 00	1	Internal circlip	
1040	0661 1000 31	2	Seal washer		3090	1616 6231 02	1	Distance ring	
1042	0661 1000 31	2	Seal washer		3095	1616 6232 03	1	Eccentric ring	
1045	0686 4230 07	1	Plug		3100	1616 6233 03	1	Pump element	
1050	9125 6303 00	1	Seal washer		3105	0102 0335 00	1	Pin	
1075	0663 2107 81	1	O-ring		3110	1616 6296 00	1	Key	
1080	0211 1335 03	4	Cap screw		3115	0337 8429 00	1	Parallel key	
1090	0580 0013 32	1	Coupling		3130	1616 6292 00	1	Bearing shield	
1096	1621 6227 00	1	Bracket		3135	0663 2106 84	1	O-ring	
1097	0147 1322 03	2	Bolt		3140	0147 1364 03	4	Bolt	
1100	0580 1404 00	1	Straight coupling		3145	1619 6032 05	1	Nipple	
1105	1614 8772 00	1	Pipe		4010		1	Service stage	
1110	1621 6228 00	1	Bracket			1616 6356 81		Teflon	
1115	0147 1322 03	1	Bolt			1616 6356 82		Epoxy	
1125	1613 0801 05	1	Clamp		4011	0686 3716 01	2	Plug	
1130	0147 1247 03	1	Bolt		4012	0661 1000 25	2	Seal washer	
1135	1613 0801 05	1	Clamp		4015	0663 2103 26	1	O-ring	
1140	0147 1247 03	1	Bolt		4020	0663 2109 12	1	O-ring	
1150	1621 6059 00	1	Cover		4025	0147 1478 03	7	Bolt	
1155	0147 1962 30	2	Bolt		4026	0147 1481 03	1	Bolt	
1160	0663 2106 18	1	O-ring		4027	0301 2378 00	8	Washer	
	<b>1621 1865 80</b>	<b>1</b>	<b>Breather Housing</b>		4060	1621 6334 00	1	Pipe	
2010	1621 1865 00	• 1	Housing		4065	0663 2108 08	2	O-ring	
<b>2015</b>	<b>1202 6255 01</b>	<b>• 1</b>	<b>Filter element</b>		4080	0147 1962 29	8	Bolt	
	0663 9032 01	•• 1	O-ring		<b>4100</b>		<b>1</b>	<b>Service stage</b>	
2020	0663 2107 84	• 1	O-ring			<b>1616 5904 81</b>		Teflon	
2025	1614 8222 00	• 1	Cover			<b>1616 5904 82</b>		Epoxy	
2030	0211 1247 03	• 2	Cap screw			1616 5924 00	• 1	Diaphragm	
3010	1616 6229 00	1	Pump cover		4105	0663 2103 24	1	O-ring	
3015	0147 1326 03	4	Bolt		4115	0663 2107 89	1	O-ring	
3020	0663 2107 76	1	O-ring		4120	0147 1962 34	4	Bolt	
3030	1616 6224 00	1	Drive shaft		4125	0147 1962 31	3	Bolt	

1



63360\_01

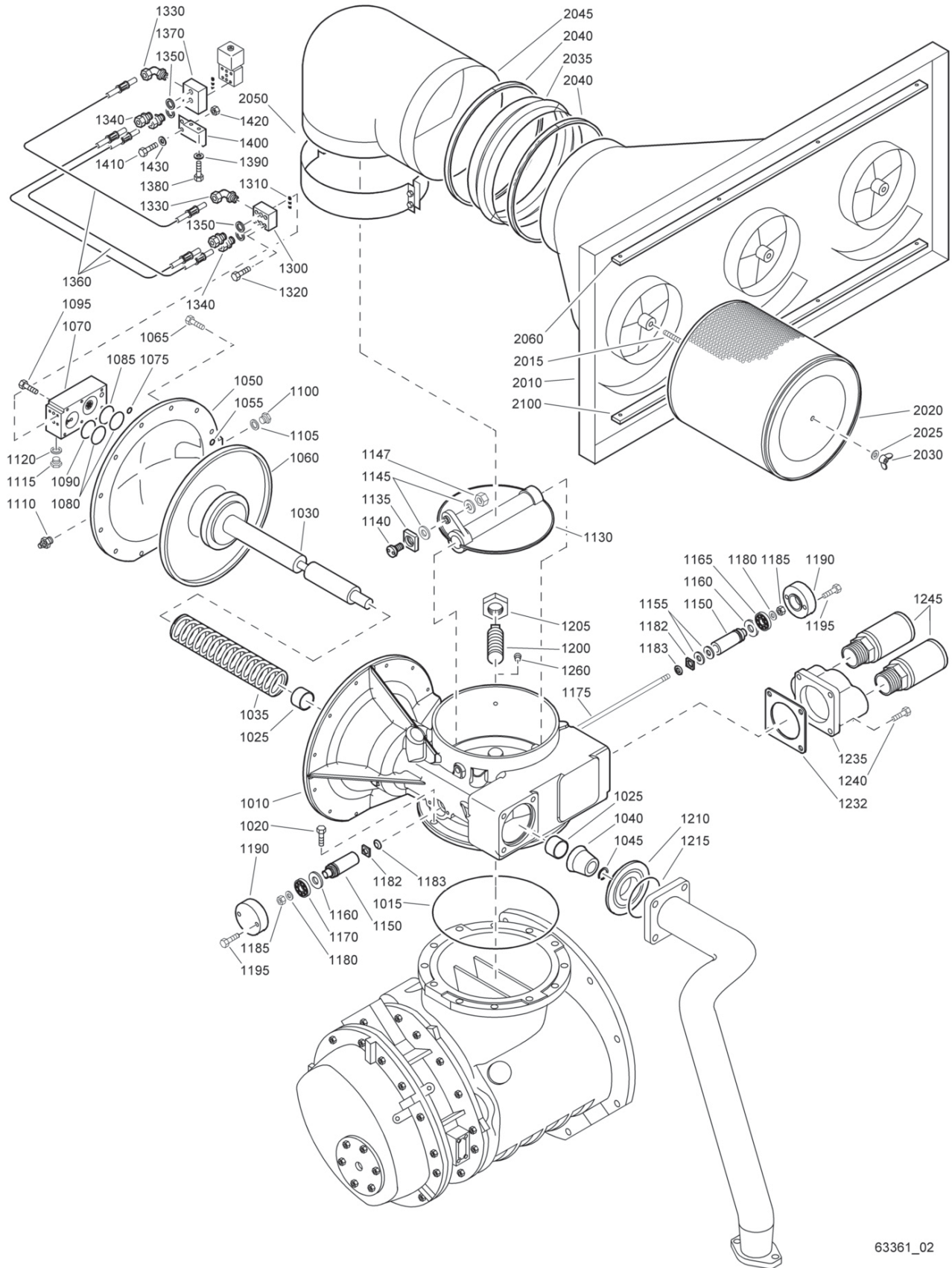
63360\_01

## Gear casing and drive gear

1

Ref.	Partnumber	Qty	Name	Remarks	Ref.	Partnumber	Qty	Name	Remarks
4 130	0300 0274 11	7	Washer			1616 6237 19		ZR 450 10.4bar(e) 60Hz	
4 135	1621 6294 00	1	Pipe			1616 6237 11		ZR 500 7.5bar(e) 50Hz	
4 140	0580 0400 03	2	Straight coupling			1616 6237 12		ZR 500 8.6bar(e) 50Hz	
4 145	0661 1000 25	2	Seal washer			1616 6237 13		ZR 500 8.6bar(e) 60Hz	
4 160	1621 3483 00	1	Hose assembly			1616 6237 21		ZR 500 10bar(e) 50Hz	
4 165	0663 2107 81	2	O-ring			1616 6237 16		ZR 500 10.4bar(e) 60Hz	
4 170	0147 1323 03	4	Bolt			1616 6237 05		ZR 630 7.5bar(e) 50Hz	
4 180	0686 3716 07	1	Plug			1616 6237 07		ZR 630 8.6bar(e) 50Hz	
4 185	0661 1000 30	1	Seal washer			1616 6237 11		ZR 630 8.6bar(e) 60Hz	
4 190	0686 3716 01	2	Plug			1616 6237 09		ZR 630 10bar(e) 50Hz	
4 195	0661 1000 25	2	Seal washer			1616 6237 21		ZR 630 10.4bar(e) 60Hz	
4 200	0686 3716 01	2	Plug			1616 6237 01		ZR 750 7.5bar(e) 50Hz	
4 205	0661 1000 25	2	Seal washer			1616 6237 03		ZR 750 8.6bar(e) 50Hz	
5010		1	Gear wheel			1616 6237 07		ZR 750 8.6bar(e) 60Hz	
	1616 6236 10		ZR 450 7.5bar(e) 50Hz			1616 6237 05		ZR 750 10bar(e) 50Hz	
	1616 6236 08		ZR 450 8.6bar(e) 50Hz			1616 6237 10		ZR 750 10.4bar(e) 60Hz	
	1616 6236 05		ZR 450 8.6bar(e) 60Hz		5016	0211 1479 00	8	Cap screw	
	1616 6236 04		ZR 450 10bar(e) 50Hz		5020		1	Gear wheel	
	1616 6236 03		ZR 450 10.4bar(e) 60Hz			1616 6239 05		ZR 450 7.5bar(e) 50Hz	
	1616 6236 12		ZR 500 7.5bar(e) 50Hz			1616 6239 06		ZR 450 8.6bar(e) 50Hz	
	1616 6236 10		ZR 500 8.6bar(e) 50Hz			1616 6239 08		ZR 450 8.6bar(e) 60Hz	
	1616 6236 09		ZR 500 8.6bar(e) 60Hz			1616 6239 10		ZR 450 10bar(e) 50Hz	
	1616 6236 08		ZR 500 10bar(e) 50Hz			1616 6239 11		ZR 450 10.4bar(e) 60Hz	
	1616 6236 05		ZR 500 10.4bar(e) 60Hz			1616 6239 04		ZR 500 7.5bar(e) 50Hz	
	1616 6236 17		ZR 630 7.5bar(e) 50Hz			1621 7639 16		ZR 500 8.6bar(e) 50Hz	
	1616 6236 15		ZR 630 8.6bar(e) 50Hz			1616 6239 06		ZR 500 8.6bar(e) 60Hz	
	1616 6236 12		ZR 630 8.6bar(e) 60Hz			1616 6239 12		ZR 500 10bar(e) 50Hz	
	1616 6236 13		ZR 630 10bar(e) 50Hz			1616 6239 09		ZR 500 10.4bar(e) 60Hz	
	1616 6236 08		ZR 630 10.4bar(e) 60Hz			1616 6239 02		ZR 630 7.5bar(e) 50Hz	
	1616 6236 19		ZR 750 7.5bar(e) 50Hz			1616 6239 03		ZR 630 8.6bar(e) 50Hz	
	1616 6236 18		ZR 750 8.6bar(e) 50Hz			1616 6239 04		ZR 630 8.6bar(e) 60Hz	
	1616 6236 15		ZR 750 8.6bar(e) 60Hz			1616 6239 04		ZR 630 10bar(e) 50Hz	
	1616 6236 16		ZR 750 10bar(e) 50Hz			1616 6239 12		ZR 630 10.4bar(e) 60Hz	
	1616 6236 12		ZR 750 10.4bar(e) 60Hz			1616 6239 01		ZR 750 7.5bar(e) 50Hz	
5015		1	Gear wheel			1616 6239 02		ZR 750 8.6bar(e) 50Hz	
	1616 6237 13		ZR 450 7.5bar(e) 50Hz			1616 6239 03		ZR 750 8.6bar(e) 60Hz	
	1616 6237 14		ZR 450 8.6bar(e) 50Hz			1616 6239 03		ZR 750 10bar(e) 50Hz	
	1616 6237 17		ZR 450 8.6bar(e) 60Hz			1616 6239 05		ZR 750 10.4bar(e) 60Hz	
	1616 6237 17		ZR 450 10bar(e) 50Hz						

2



63361\_02



## Air inlet

## 2

Ref.	Partnumber	Qty	Name	Remarks	Ref.	Partnumber	Qty	Name	Remarks
1010	1621 1501 01	1	Housing		1185	0266 2112 00	2	Nut	
1015	0663 2108 58	1	O-ring		1190	1614 8898 00	2	Cover	
1020	0147 1477 03	4	Bolt		1195	0147 1367 03	4	Bolt	
1025	1619 6151 00	2	Bearing		1200	2255 0021 02	1	Stud	
1030	1621 1595 00	1	Piston		1205	0623 2107 03	1	Back nut	
1035	2102 0836 00	1	Spring		1210	1621 6026 00	1	Valve seat	
1040	2102 0604 00	1	Valve-hp inload		1215	0663 2108 65	1	O-ring	
1045	0335 1104 21	1	Circlip		1232	1621 6332 00	1	Gasket	
1050	1621 1593 00	1	Valve cover		1235	1621 1600 00	1	Collector	
1055	0663 2108 37	1	O-ring		1240	0147 1402 03	4	Bolt	
1060	1621 1663 00	1	Diaphragm		1245	1623 1987 00	2	Muffler	
1065	0147 1364 03	12	Bolt		1260	0686 6130 00	1	Plug	
1070	1621 1714 00	1	Valve base		1300	1621 6479 00	1	Manifold	
1075	0663 2108 37	1	O-ring		1310	0663 2108 63	3	O-ring	
1080	0663 2108 64	2	O-ring		1320	0211 1251 03	4	Bolt	
1085	1621 1715 00	1	Membrane		1330	0580 2404 00	2	Pipe coupling	
1090	1621 1716 00	1	Membrane		1340	0580 0013 32	4	Coupling	
1095	0147 1257 03	6	Bolt		1350	0661 1000 25	4	Seal washer	
1100	0686 3716 02	1	Plug		1360	2250 6353 05	3	Flexible	
1105	0661 1000 27	1	Seal washer		1370	1621 6480 00	1	Manifold	
1110	9090 0508 00	1	Damper		1380	0147 1244 03	2	Bolt	
1115	0686 3716 01	1	Plug		1390	0301 2321 00	2	Washer	
1120	0661 1000 25	1	Seal washer		1400	1621 1961 00	1	Support	
1130	2255 0020 00	1	Valve		1410	0147 1325 03	2	Bolt	
1135	2253 7396 00	1	Bear. block		1420	0266 2110 00	2	Nut	
1140	2255 0148 00	1	Shaft		1430	0301 2335 00	2	Washer	
1145	2255 1182 00	2	Washer		2010	1621 1592 00	1	Collector	
1147	2255 0038 00	1	Locknut		2015	0248 9980 25	3	Threaded rod	
1150	1621 6463 00	2	Pivot		2020	1621 5743 00	3	Filter element	
1155	2253 7393 00	2	Washer		2025	0301 2344 00	3	Washer	
1160	2253 7390 00	2	Seal		2030	0296 1111 02	3	Wing nut	
1165	0502 7404 00	1	Bearing		2035	2252 0773 00	1	Hump hose	
1170	0508 1154 00	1	Roller bearing		2040	1613 1249 11	2	Hose clip	
1175	1614 8899 00	1	Stud		2045	1621 1594 00	1	Elbow	
1180	2253 7391 00	2	Washer		2050	1621 1668 00	1	Clamp	
1182	0304 1008 00	2	Conical seat		2060	1621 6106 00	1	Strip	
1183	0304 1058 00	2	Spherical washer		2100	1621 6106 00	1	Strip	

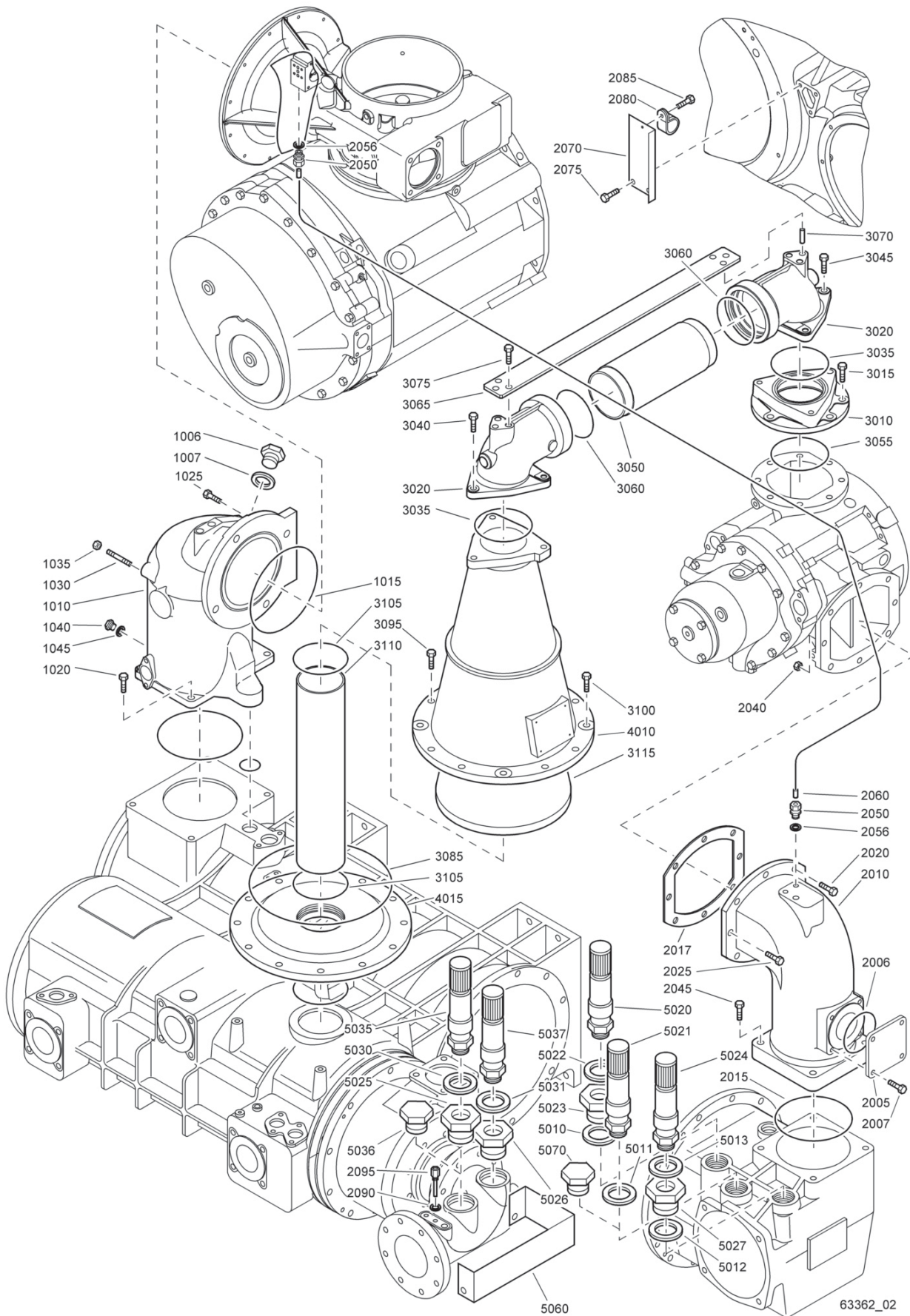


## Air flow

3

Ref.	Partnumber	Qty	Name	Remarks	Ref.	Partnumber	Qty	Name	Remarks
1006	0686 3716 29	1	Plug		4015		• 1	Flange	
1007	0653 1293 00	1	Flat gasket			1621 6181 08		ASME	
1010	1621 1617 11	1	Connection			1621 6181 48		CE	
1015	0663 2106 95	1	O-ring			1621 6181 08		CHINA	
1020	0147 1964 52	4	Bolt			1621 6181 08		DIR	
1025	0147 1552 03	2	Bolt		5010		1	Seal washer	
1030	0246 1956 28	2	Stud			0661 1000 33		ZR 450	
1035	0266 2116 00	2	Nut			0661 1000 33		ZR 500 7.5bar(e)	
1040	0686 3716 01	2	Plug			0661 1000 33		ZR 500 8.6bar(e)	
1045	0661 1000 25	1	Seal washer					With aftercooler	
2005	1621 6657 00	1	Flange			0661 1000 33		ZR 500 8.6bar(e) CE	
2006	0663 2107 33	1	O-ring					Hot air variant	
2007	0147 1402 03	4	Bolt			0661 1000 33		ZR 500 50Hz 8.6bar(e) ASME	
2010	1621 6174 01	1	Pipe					Hot air variant	
2015	0663 2108 59	1	O-ring			0661 1000 33		ZR 500 8.6bar(e) CHINA	
2017	1202 9620 00	1	Gasket					Hot air variant	
2020	0147 1478 03	6	Bolt			0661 1000 33		ZR 500 8.6bar(e) DIR	
2025	0147 1481 03	2	Bolt					Hot air variant	
2040	0266 2114 00	2	Nut			0661 1000 33		ZR 500 10bar(e)	
2045	0147 1964 53	4	Bolt			0661 1000 33		ZR 500 10.4bar(e)	
2050	0580 0013 86	2	Straight coupling			0661 1000 33		ZR 630 50Hz 7.5bar(e)	
2056	0661 1000 25	2	Seal washer					With aftercooler	
2060	1621 6212 00	1	Pipe			0661 1000 33		ZR 630 7.5bar(e) CE	
2070	1621 6293 00	1	Bracket					Hot air variant	
2075	0147 1398 03	2	Bolt			0661 1000 33		ZR 630 7.5bar(e) CHINA	
2080	1613 0801 02	1	Clamp					Hot air variant	
2085	0147 1247 03	1	Bolt			0661 1000 33		ZR 630 8.6bar(e)	
2090	0661 1000 25	1	Seal washer					With aftercooler	
2095	1621 4104 00	1	Nipple			0661 1000 33		ZR 630 8.6bar(e) CE	
3010	1621 6218 11	1	Adapter					Hot air variant	
3015	0211 1960 28	5	Cap screw			0661 1000 33		ZR 630 8.6bar(e) CHINA	
3020	1621 6178 11	2	Pipe					Hot air variant	
3035	0663 2106 58	2	O-ring			0661 1000 33		ZR 630 10bar(e)	
3040	0147 1962 35	5	Bolt			0661 1000 33		ZR 630 10.4bar(e)	
3045	0147 1489 03	1	Bolt			0661 1000 33		ZR 750 7.5bar(e)	
3050	1621 6179 00	1	Pipe			0661 1000 33		ZR 750 8.6bar(e)	
3055	0663 2106 97	1	O-ring			0661 1000 33		ZR 750 50Hz 10bar(e)	
3060	0663 2108 49	2	O-ring					With aftercooler	
3065	1621 6022 02	1	Bracket			0661 1000 33		ZR 750 10bar(e) ASME	
3070	0101 1951 53	2	Pin					Hot air variant	
3075	0147 1476 03	4	Bolt			0661 1000 33		ZR 750 10bar(e) DIR	
3085	0663 2106 98	1	O-ring					Hot air variant	
3095		8	Bolt			0661 1000 33		ZR 750 60Hz 10.4bar(e)	
	0147 1964 52		ASME					With aftercooler	
	0147 1478 03		CE			0661 1000 33		ZR 750 10.4bar(e) ASME	
	0147 1478 03		CHINA					Hot air variant	
	0147 1964 52		DIR		5011		1	Seal washer	
3100		4	Bolt			0661 1000 33		ZR 450 With aftercooler	
	0147 1964 53		ASME			0661 1000 33		ZR 450 7.5bar(e) Hot air variant	
	0147 1483 03		CE			0661 1000 33		ZR 450 8.6bar(e) Hot air variant	
	0147 1483 03		CHINA			0661 1000 33		ZR 450 10bar(e) CE	
	0147 1964 53		DIR					Hot air variant	
3105	0663 2106 20	2	O-ring			0661 1000 33		ZR 450 10bar(e) CHINA	
3110	1621 6478 00	1	Silencer insert					Hot air variant	
3115	1621 3927 00	1	Glass wool			0661 1000 33		ZR 450 10.4bar(e) CE	
		<b>1</b>	<b>Silencer</b>					Hot air variant	
	<b>1621 6180 80</b>		ASME			0661 1000 33		ZR 500 With aftercooler	
	<b>1621 6180 89</b>		CE			0661 1000 33		ZR 500 7.5bar(e) Hot air variant	
	<b>1621 6180 80</b>		CHINA			0661 1000 33		ZR 500 8.6bar(e) Hot air variant	
	<b>1621 6180 80</b>		DIR			0661 1000 33		ZR 500 10bar(e) CE	
4010		• 1	Silencer					Hot air variant	
	1621 6180 08		ASME			0661 1000 33		ZR 500 10bar(e) CHINA	
	1621 6180 48		CE					Hot air variant	
	1621 6180 18		CHINA			0661 1000 33		ZR 500 10.4bar(e) CE	
	1621 6180 08		DIR					Hot air variant	

# 3



63362\_02

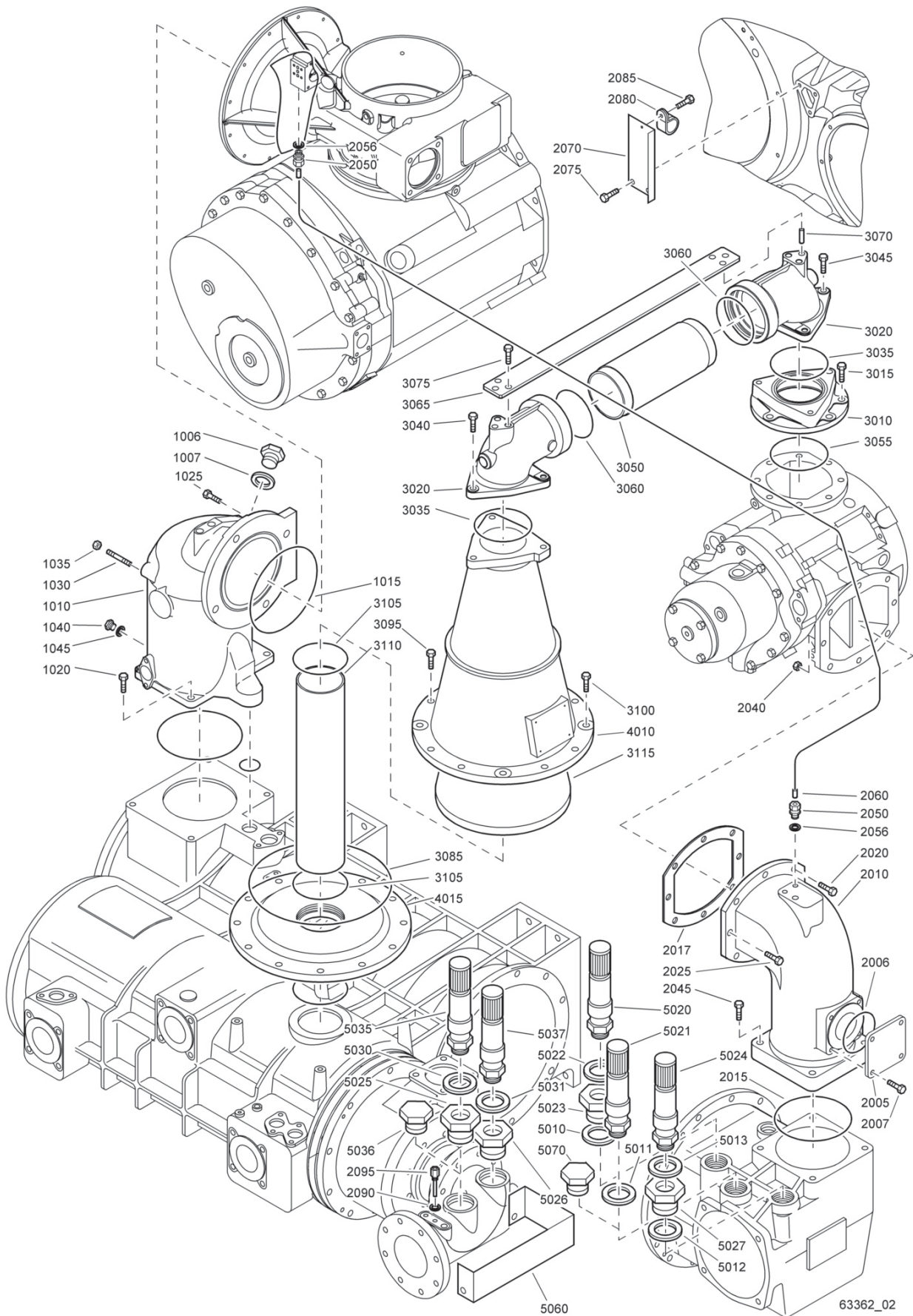
63362\_02

## Air flow

## 3

Ref.	Partnumber	Qty	Name	Remarks	Ref.	Partnumber	Qty	Name	Remarks
	0661 1000 33		ZR 630 With aftercooler			0661 1000 32		ZR 630 7.5bar(e) DIR	
	0661 1000 33		ZR 630 50Hz 7.5bar(e)					Hot air variant	
			With aftercooler			0661 1000 32		ZR 630 8.6bar(e) ASME	
	0661 1000 33		ZR 630 8.6bar(e)					Hot air variant	
			With aftercooler			0661 1000 32		ZR 630 8.6bar(e) DIR	
	0661 1000 33		ZR 630 50Hz 10bar(e)					Hot air variant	
			With aftercooler			0661 1000 32		ZR 750 7.5bar(e) ASME	
	0661 1000 33		ZR 630 60Hz 10.4bar(e)					Hot air variant	
			With aftercooler			0661 1000 32		ZR 750 7.5bar(e) DIR	
	0661 1000 33		ZR 630 7.5bar(e)					Hot air variant	
			Hot air variant			0661 1000 32		ZR 750 8.6bar(e) ASME	
	0661 1000 33		ZR 630 8.6bar(e)					Hot air variant	
			Hot air variant			0661 1000 32		ZR 750 8.6bar(e) DIR	
	0661 1000 33		ZR 630 10bar(e) CE					Hot air variant	
			Hot air variant			0661 1000 32		ZR 750 10bar(e) Hot air	
	0661 1000 33		ZR 630 10bar(e) CHINA					variant	
			Hot air variant			0661 1000 32		ZR 750 10.4bar(e)	
	0661 1000 33		ZR 630 10.4bar(e) CE					Hot air variant	
			Hot air variant		5020	0830 1008 24	1	Safety valve	
	0661 1000 33		ZR 750		5021		1	Safety valve	
5012		1	Seal washer			0830 1008 24		ZR 500 60Hz 8.6bar(e)	
	0661 1000 33		ZR 450					With aftercooler	
	0661 1000 33		ZR 500 With aftercooler			0830 1008 24		ZR 500 60Hz 8.6bar(e) ASME	
	0661 1000 33		ZR 500 7.5bar(e)					Hot air variant	
			Hot air variant			0830 1008 24		ZR 630 7.5bar(e)	
	0661 1000 33		ZR 500 8.6bar(e) CE			0830 1008 24		ZR 630 8.6bar(e)	
			Hot air variant			0830 1008 24		ZR 750	
	0661 1000 33		ZR 500 50Hz 8.6bar(e) ASME		5022		1	Seal washer	
			Hot air variant			0661 1000 32		ZR 500 60Hz 8.6bar(e) ASME	
	0661 1000 33		ZR 500 8.6bar(e) CHINA					Hot air variant	
			Hot air variant			0661 1000 32		ZR 630 7.5bar(e) ASME	
	0661 1000 33		ZR 500 8.6bar(e) DIR					Hot air variant	
			Hot air variant			0661 1000 32		ZR 630 7.5bar(e) DIR	
	0661 1000 33		ZR 500 10bar(e) Hot air					Hot air variant	
			variant			0661 1000 32		ZR 630 8.6bar(e) ASME	
	0661 1000 33		ZR 500 10.4bar(e)					Hot air variant	
			Hot air variant			0661 1000 32		ZR 630 8.6bar(e) DIR	
	0661 1000 33		ZR 630 With aftercooler					Hot air variant	
	0661 1000 33		ZR 630 7.5bar(e) CE			0661 1000 32		ZR 750 10bar(e) CE	
			Hot air variant					Hot air variant	
	0661 1000 33		ZR 630 7.5bar(e) CHINA			0661 1000 32		ZR 750 10bar(e) CHINA	
			Hot air variant					Hot air variant	
	0661 1000 33		ZR 630 8.6bar(e) CE			0661 1000 32		ZR 750 10.4bar(e) CE	
			Hot air variant					Hot air variant	
	0661 1000 33		ZR 630 8.6bar(e) CHINA		5023		1	Bushing	
			Hot air variant			0605 8400 16		ZR 500 60Hz 8.6bar(e) ASME	
	0661 1000 33		ZR 630 10bar(e) Hot air					Hot air variant	
			variant			0605 8400 16		ZR 630 7.5bar(e) ASME	
	0661 1000 33		ZR 630 10.4bar(e)					Hot air variant	
			Hot air variant			0605 8400 16		ZR 630 7.5bar(e) DIR	
	0661 1000 33		ZR 750 With aftercooler					Hot air variant	
	0661 1000 33		ZR 750 7.5bar(e) CE			0605 8400 16		ZR 630 8.6bar(e) ASME	
			Hot air variant					Hot air variant	
	0661 1000 33		ZR 750 7.5bar(e) CHINA			0605 8400 16		ZR 630 8.6bar(e) DIR	
			Hot air variant					Hot air variant	
	0661 1000 33		ZR 750 8.6bar(e) CE			0605 8400 16		ZR 750 10bar(e) CE	
			Hot air variant					Hot air variant	
	0661 1000 33		ZR 750 8.6bar(e) CHINA			0605 8400 16		ZR 750 10bar(e) CHINA	
			Hot air variant					Hot air variant	
5013		1	Seal washer			0605 8400 16		ZR 750 10.4bar(e) CE	
	0661 1000 32		ZR 500 60Hz 8.6bar(e) ASME		5024		1	Safety valve	
			Hot air variant			0830 1008 24		ZR 450	
	0661 1000 32		ZR 630 7.5bar(e) ASME			0830 1008 24		ZR 500 With aftercooler	
			Hot air variant						

3



63362\_02

## Air flow

3

Ref.	Part number	Qty	Name	Remarks	Ref.	Part number	Qty	Name	Remarks
	0830 1008 24		ZR 500 7.5bar(e) Hot air variant		0605 8300 72		ZR 500 7.5bar(e) CHINA Hot air variant		
	0830 1008 24		ZR 500 8.6bar(e) CE Hot air variant		0605 8350 41		ZR 500 7.5bar(e) DIR Hot air variant		
	0830 1008 24		ZR 500 50Hz 8.6bar(e) ASME Hot air variant		0605 8300 72		ZR 500 60Hz 8.6bar(e) With aftercooler		
	0830 1008 23		ZR 500 60Hz 8.6bar(e) ASME Hot air variant		0605 8300 72		ZR 500 8.6bar(e) CE Hot air variant		
	0830 1008 24		ZR 500 8.6bar(e) CHINA Hot air variant		0605 8350 41		ZR 500 50Hz 8.6bar(e) ASME Hot air variant		
	0830 1008 24		ZR 500 8.6bar(e) DIR Hot air variant		0605 8300 71		ZR 500 60Hz 8.6bar(e) ASME Hot air variant		
	0830 1008 24		ZR 500 10bar(e) Hot air variant		0605 8300 72		ZR 500 8.6bar(e) CHINA Hot air variant		
	0830 1008 24		ZR 500 10.4bar(e) Hot air variant		0605 8350 41		ZR 500 8.6bar(e) DIR Hot air variant		
	0830 1008 24		ZR 630 With aftercooler		0605 8350 41		ZR 500 10bar(e) ASME Hot air variant		
	0830 1008 24		ZR 630 7.5bar(e) CE Hot air variant		0605 8350 41		ZR 500 10bar(e) DIR Hot air variant		
	0830 1008 23		ZR 630 7.5bar(e) ASME Hot air variant		0605 8350 41		ZR 500 10.4bar(e) ASME Hot air variant		
	0830 1008 24		ZR 630 7.5bar(e) CHINA Hot air variant		0605 8300 72		ZR 630 50Hz 7.5bar(e) With aftercooler		
	0830 1008 23		ZR 630 7.5bar(e) DIR Hot air variant		0605 8300 70		ZR 630 7.5bar(e) CE Hot air variant		
	0830 1008 24		ZR 630 8.6bar(e) CE Hot air variant		0605 8300 71		ZR 630 7.5bar(e) ASME Hot air variant		
	0830 1008 23		ZR 630 8.6bar(e) ASME Hot air variant		0605 8300 70		ZR 630 7.5bar(e) CHINA Hot air variant		
	0830 1008 24		ZR 630 8.6bar(e) CHINA Hot air variant		0605 8300 71		ZR 630 7.5bar(e) DIR Hot air variant		
	0830 1008 23		ZR 630 8.6bar(e) DIR Hot air variant		0605 8300 72		ZR 630 8.6bar(e) With aftercooler		
	0830 1008 24		ZR 630 10bar(e) Hot air variant		0605 8300 70		ZR 630 8.6bar(e) CE Hot air variant		
	0830 1008 24		ZR 630 10.4bar(e) Hot air variant		0605 8300 71		ZR 630 8.6bar(e) ASME Hot air variant		
	0830 1008 24		ZR 750 With aftercooler		0605 8300 70		ZR 630 8.6bar(e) CHINA Hot air variant		
	0830 1008 24		ZR 750 7.5bar(e) CE Hot air variant		0605 8300 71		ZR 630 8.6bar(e) DIR Hot air variant		
	0830 1008 23		ZR 750 7.5bar(e) ASME Hot air variant		0605 8300 71		ZR 630 10bar(e) ASME Hot air variant		
	0830 1008 24		ZR 750 7.5bar(e) CHINA Hot air variant		0605 8350 41		ZR 630 10bar(e) DIR Hot air variant		
	0830 1008 23		ZR 750 7.5bar(e) DIR Hot air variant		0605 8350 41		ZR 630 10.4bar(e) ASME Hot air variant		
	0830 1008 24		ZR 750 8.6bar(e) CE Hot air variant		0605 8300 72		ZR 750 50Hz 7.5bar(e) With aftercooler		
	0830 1008 23		ZR 750 8.6bar(e) ASME Hot air variant		0605 8300 70		ZR 750 7.5bar(e) CE Hot air variant		
	0830 1008 24		ZR 750 8.6bar(e) CHINA Hot air variant		0605 8350 41		ZR 750 7.5bar(e) ASME Hot air variant		
	0830 1008 23		ZR 750 8.6bar(e) DIR Hot air variant		0605 8300 70		ZR 750 7.5bar(e) CHINA Hot air variant		
	0830 1008 23		ZR 750 10bar(e) Hot air variant		0605 8300 70		ZR 750 7.5bar(e) DIR Hot air variant		
	0830 1008 23		ZR 750 10.4bar(e) Hot air variant		0605 8350 41		ZR 750 7.5bar(e) DIR Hot air variant		
5025	0605 8350 41	1	Bushing		0605 8300 72		ZR 750 8.6bar(e) With aftercooler		
	0605 8350 41		ZR 450 ASME Hot air variant		0605 8300 70		ZR 750 8.6bar(e) CE Hot air variant		
	0605 8350 41		ZR 450 DIR Hot air variant		0605 8350 41		ZR 750 7.5bar(e) ASME Hot air variant		
	0605 8300 72		ZR 500 7.5bar(e) CE Hot air variant		0605 8350 41		ZR 750 8.6bar(e) ASME Hot air variant		
	0605 8350 41		ZR 500 7.5bar(e) ASME Hot air variant						



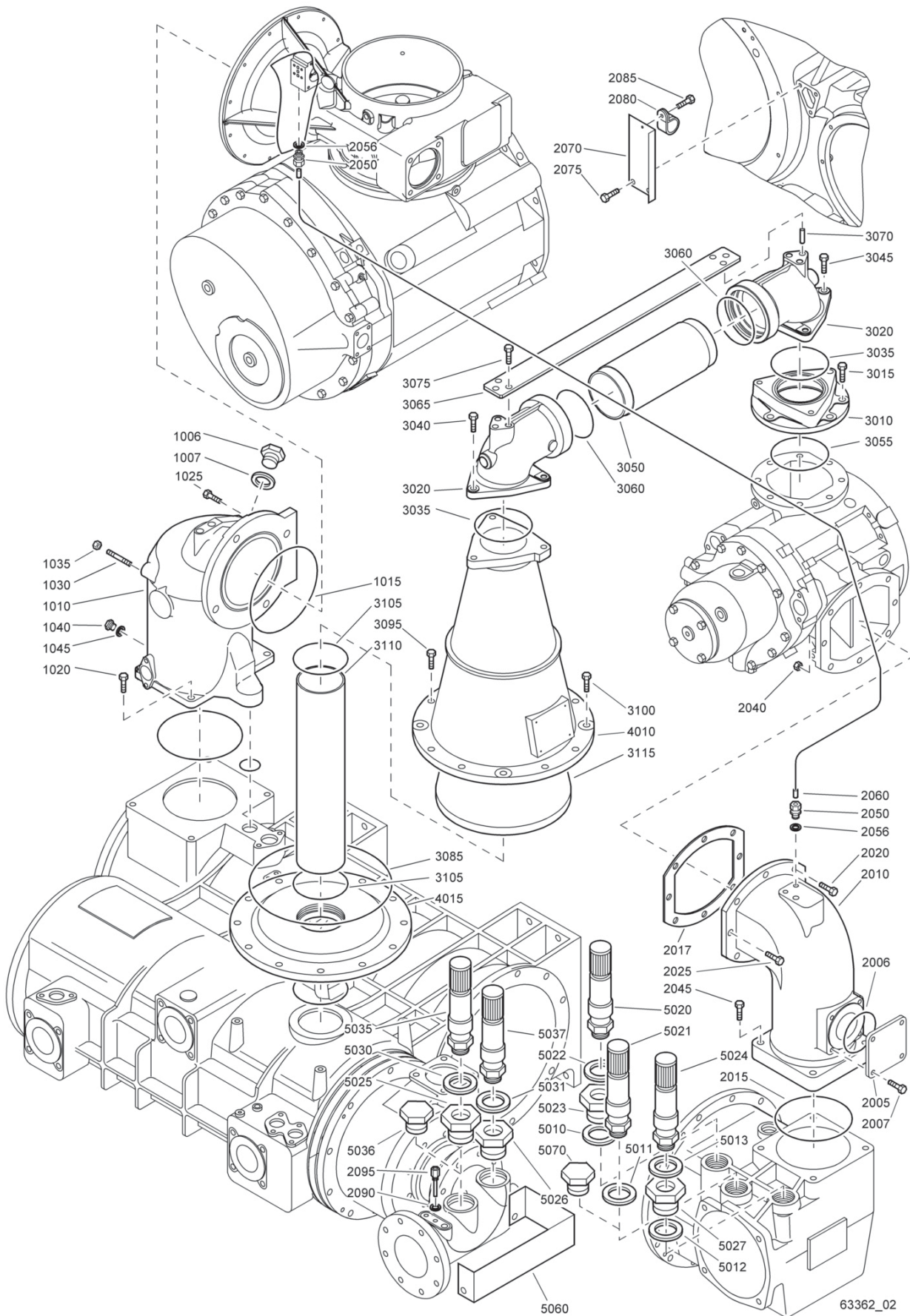


## Air flow

3

Ref.	Partnumber	Qty	Name	Remarks	Ref.	Partnumber	Qty	Name	Remarks
	0605 8300 70		ZR 750 8.6bar(e) CHINA Hot air variant		0605 8350 41		ZR 500 10.4bar(e) ASME Hot air variant		
	0605 8350 41		ZR 750 8.6bar(e) DIR Hot air variant		0605 8300 72		ZR 630 50Hz 7.5bar(e) With aftercooler		
	0605 8300 72		ZR 750 10bar(e) CE Hot air variant		0605 8300 72		ZR 630 7.5bar(e) CE Hot air variant		
	0605 8350 41		ZR 750 10bar(e) ASME Hot air variant		0605 8350 41		ZR 630 7.5bar(e) ASME Hot air variant		
	0605 8300 72		ZR 750 10bar(e) CHINA Hot air variant		0605 8300 72		ZR 630 7.5bar(e) CHINA Hot air variant		
	0605 8350 41		ZR 750 10bar(e) DIR Hot air variant		0605 8350 41		ZR 630 7.5bar(e) DIR Hot air variant		
	0605 8300 72		ZR 750 10.4bar(e) CE Hot air variant		0605 8300 72		ZR 630 8.6bar(e) With aftercooler		
	0605 8350 41		ZR 750 10.4bar(e) ASME Hot air variant		0605 8300 72		ZR 630 8.6bar(e) CE Hot air variant		
5026		1	Bushing		0605 8350 41		ZR 630 8.6bar(e) ASME Hot air variant		
	0605 8300 70		ZR 450 50Hz 7.5bar(e) With aftercooler		0605 8300 72		ZR 630 8.6bar(e) CHINA Hot air variant		
	0605 8300 70		ZR 450 8.6bar(e) With aftercooler		0605 8350 41		ZR 630 8.6bar(e) DIR Hot air variant		
	0605 8300 72		ZR 450 50Hz 10bar(e) With aftercooler		0605 8300 70		ZR 630 50Hz 10bar(e) With aftercooler		
	0605 8300 72		ZR 450 60Hz 10.4bar(e) With aftercooler		0605 8300 70		ZR 630 10bar(e) CE Hot air variant		
	0605 8300 70		ZR 450 CE Hot air variant		0605 8350 41		ZR 630 10bar(e) ASME Hot air variant		
	0605 8300 70		ZR 450 CHINA Hot air variant		0605 8300 70		ZR 630 10bar(e) CHINA Hot air variant		
	0605 8350 41		ZR 450 ASME Hot air variant		0605 8350 41		ZR 630 10bar(e) DIR Hot air variant		
	0605 8350 41		ZR 450 DIR Hot air variant		0605 8300 70		ZR 630 10bar(e) CHINA Hot air variant		
	0605 8300 70		ZR 500 50Hz 7.5bar(e) With aftercooler		0605 8350 41		ZR 630 10bar(e) DIR Hot air variant		
	0605 8300 70		ZR 500 50Hz 8.6bar(e) With aftercooler		0605 8300 70		ZR 630 60Hz 10.4bar(e) With aftercooler		
	0605 8300 72		ZR 500 60Hz 8.6bar(e) With aftercooler		0605 8300 70		ZR 630 10.4bar(e) CE Hot air variant		
	0605 8300 72		ZR 500 50Hz 10bar(e) With aftercooler		0605 8350 41		ZR 630 10.4bar(e) ASME Hot air variant		
	0605 8300 70		ZR 500 60Hz 10.4bar(e) With aftercooler		0605 8300 72		ZR 750 50Hz 7.5bar(e) With aftercooler		
	0605 8300 72		ZR 500 7.5bar(e) CE Hot air variant		0605 8300 72		ZR 750 8.6bar(e) With aftercooler		
	0605 8350 41		ZR 500 7.5bar(e) ASME Hot air variant		0605 8300 70		ZR 750 50Hz 10bar(e) With aftercooler		
	0605 8300 72		ZR 500 7.5bar(e) CHINA Hot air variant		0605 8300 70		ZR 750 60Hz 10.4bar(e) With aftercooler		
	0605 8350 41		ZR 500 7.5bar(e) DIR Hot air variant		0605 8300 72		ZR 750 CE Hot air variant		
	0605 8300 72		ZR 500 8.6bar(e) CE Hot air variant		0605 8300 71		ZR 750 7.5bar(e) ASME Hot air variant		
	0605 8350 41		ZR 500 8.6bar(e) ASME Hot air variant		0605 8300 71		ZR 750 8.6bar(e) ASME Hot air variant		
	0605 8300 72		ZR 500 8.6bar(e) CHINA Hot air variant		0605 8350 41		ZR 750 10bar(e) ASME Hot air variant		
	0605 8350 41		ZR 500 8.6bar(e) DIR Hot air variant		0605 8350 41		ZR 750 10.4bar(e) ASME Hot air variant		
	0605 8300 70		ZR 500 10bar(e) CE Hot air variant		0605 8300 72		ZR 750 CHINA Hot air variant		
	0605 8350 41		ZR 500 10bar(e) ASME Hot air variant		0605 8300 71		ZR 750 7.5bar(e) DIR Hot air variant		
	0605 8300 70		ZR 500 10bar(e) CHINA Hot air variant		0605 8300 71		ZR 750 8.6bar(e) DIR Hot air variant		
	0605 8350 41		ZR 500 10bar(e) DIR Hot air variant		0605 8350 41		ZR 750 10bar(e) DIR Hot air variant		
	0605 8300 70		ZR 500 10.4bar(e) CE Hot air variant		5027	1	Bushing		
					0605 8400 16		ZR 500 60Hz 8.6bar(e) ASME Hot air variant		

3



63362\_02

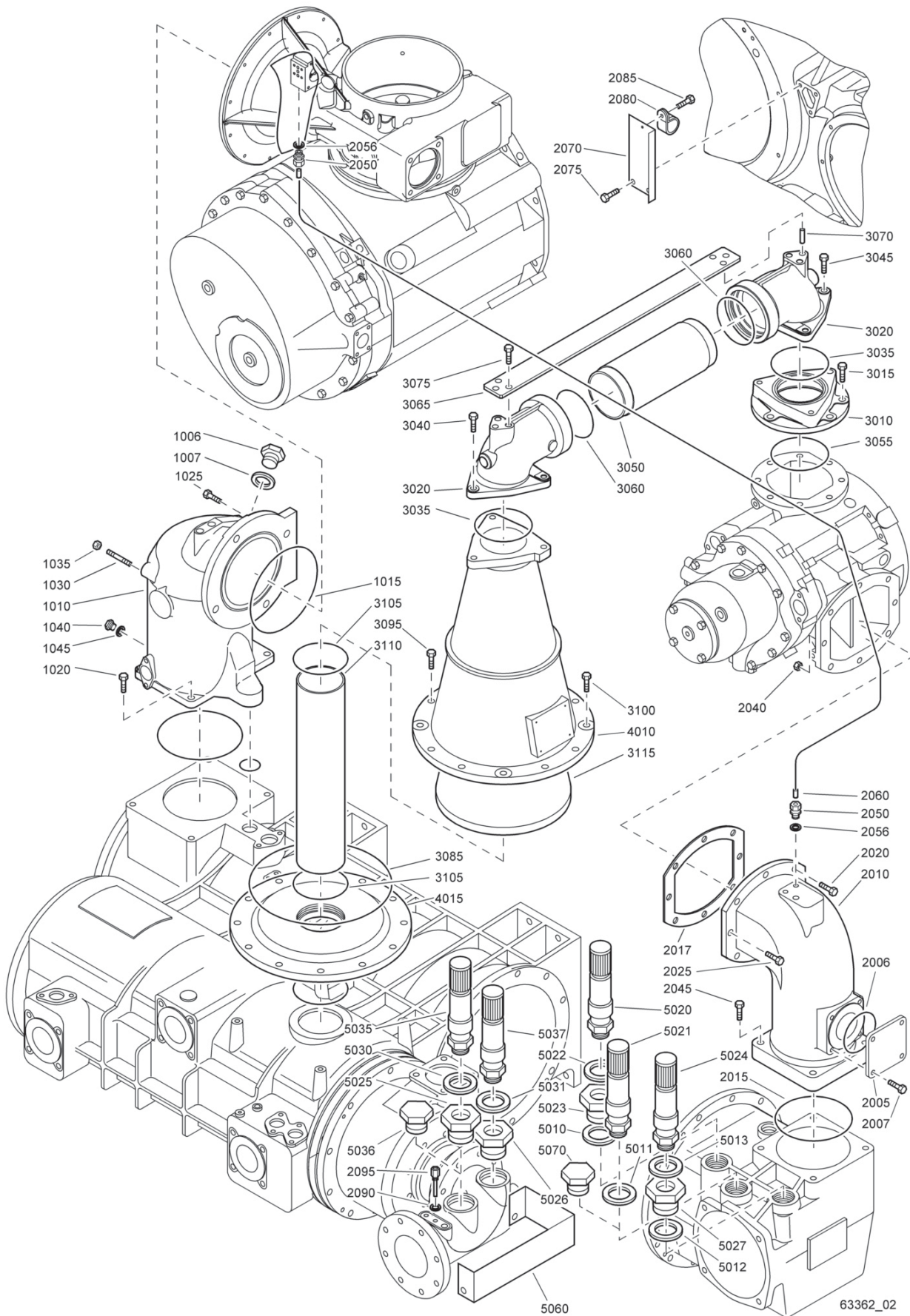
63362\_02

## Air flow

3

Ref.	Part number	Qty	Name	Remarks	Ref.	Part number	Qty	Name	Remarks
	0605 8400 16		ZR 630 7.5bar(e) ASME Hot air variant		5031		1	Seal washer	
	0605 8400 16		ZR 630 7.5bar(e) DIR Hot air variant		0661 1000 33			ZR 450 50Hz 7.5bar(e) With aftercooler	
	0605 8400 16		ZR 630 8.6bar(e) ASME Hot air variant		0661 1000 33			ZR 450 7.5bar(e) CE Hot air variant	
	0605 8400 16		ZR 630 8.6bar(e) DIR Hot air variant		0661 1000 33			ZR 450 7.5bar(e) CHINA Hot air variant	
	0605 8400 16		ZR 750 7.5bar(e) ASME Hot air variant		0661 1000 33			ZR 450 8.6bar(e) With aftercooler	
	0605 8400 16		ZR 750 7.5bar(e) DIR Hot air variant		0661 1000 33			ZR 450 8.6bar(e) CE Hot air variant	
	0605 8400 16		ZR 750 8.6bar(e) ASME Hot air variant		0661 1000 33			ZR 450 8.6bar(e) CHINA Hot air variant	
	0605 8400 16		ZR 750 8.6bar(e) DIR Hot air variant		0661 1000 32			ZR 450 50Hz 10bar(e) With aftercooler	
	0605 8400 16		ZR 750 10bar(e) Hot air variant		0661 1000 33			ZR 450 10bar(e) CE Hot air variant	
	0605 8400 16		ZR 750 10.4bar(e) Hot air variant		0661 1000 33			ZR 450 10bar(e) CHINA Hot air variant	
5030		1	Seal washer		0661 1000 32			ZR 450 60Hz 10.4bar(e) With aftercooler	
	0661 1000 32		ZR 500 7.5bar(e) CE Hot air variant		0661 1000 33			ZR 450 10.4bar(e) CE Hot air variant	
	0661 1000 32		ZR 500 7.5bar(e) CHINA Hot air variant		0661 1000 33			ZR 500 10.4bar(e) CE Hot air variant	
	0661 1000 32		ZR 500 60Hz 8.6bar(e) With aftercooler		0661 1000 33			ZR 500 50Hz 7.5bar(e) With aftercooler	
	0661 1000 32		ZR 500 8.6bar(e) CE Hot air variant		0661 1000 32			ZR 500 7.5bar(e) CE Hot air variant	
	0661 1000 32		ZR 500 8.6bar(e) CHINA Hot air variant		0661 1000 32			ZR 500 7.5bar(e) CHINA Hot air variant	
	0661 1000 32		ZR 630 50Hz 7.5bar(e) With aftercooler		0661 1000 33			ZR 500 50Hz 8.6bar(e) With aftercooler	
	0661 1000 33		ZR 630 7.5bar(e) CE Hot air variant		0661 1000 32			ZR 500 60Hz 8.6bar(e) With aftercooler	
	0661 1000 33		ZR 630 7.5bar(e) CHINA Hot air variant		0661 1000 32			ZR 500 8.6bar(e) CE Hot air variant	
	0661 1000 32		ZR 630 8.6bar(e) With aftercooler		0661 1000 32			ZR 500 8.6bar(e) CHINA Hot air variant	
	0661 1000 33		ZR 630 8.6bar(e) CE Hot air variant		0661 1000 32			ZR 500 50Hz 10bar(e) With aftercooler	
	0661 1000 33		ZR 630 8.6bar(e) CHINA Hot air variant		0661 1000 33			ZR 500 10bar(e) CE Hot air variant	
	0661 1000 32		ZR 750 50Hz 7.5bar(e) With aftercooler		0661 1000 33			ZR 500 10bar(e) CHINA Hot air variant	
	0661 1000 33		ZR 750 7.5bar(e) CE Hot air variant		0661 1000 33			ZR 500 60Hz 10.4bar(e) With aftercooler	
	0661 1000 33		ZR 750 7.5bar(e) CHINA Hot air variant		0661 1000 32			ZR 630 50Hz 7.5bar(e) With aftercooler	
	0661 1000 32		ZR 750 8.6bar(e) With aftercooler		0661 1000 32			ZR 630 7.5bar(e) CE Hot air variant	
	0661 1000 33		ZR 750 8.6bar(e) CE Hot air variant		0661 1000 32			ZR 630 7.5bar(e) CHINA Hot air variant	
	0661 1000 33		ZR 750 8.6bar(e) CHINA Hot air variant		0661 1000 32			ZR 630 8.6bar(e) With aftercooler	
	0661 1000 33		ZR 750 50Hz 10bar(e) With aftercooler		0661 1000 32			ZR 630 8.6bar(e) CE Hot air variant	
	0661 1000 32		ZR 750 10bar(e) CE Hot air variant		0661 1000 32			ZR 630 8.6bar(e) CHINA Hot air variant	
	0661 1000 32		ZR 750 10bar(e) CHINA Hot air variant		0661 1000 33			ZR 630 50Hz 10bar(e) With aftercooler	
	0661 1000 33		ZR 750 60Hz 10.4bar(e) With aftercooler		0661 1000 33			ZR 630 10bar(e) CE Hot air variant	
	0661 1000 32		ZR 750 10.4bar(e) CE Hot air variant		0661 1000 33			ZR 630 10bar(e) CHINA Hot air variant	

3



63362\_02

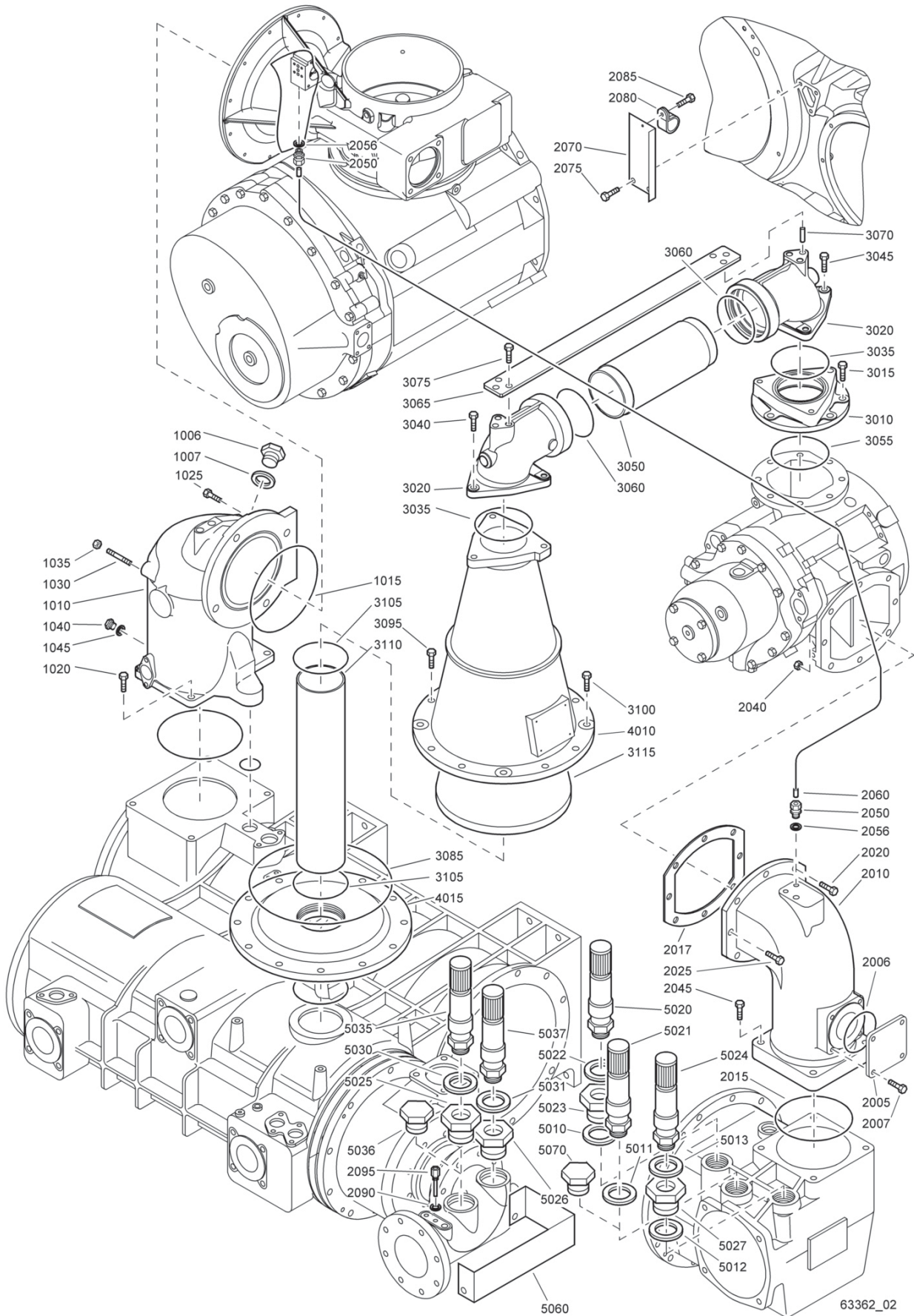
63362\_02

## Air flow

3

Ref.	Partnumber	Qty	Name	Remarks	Ref.	Partnumber	Qty	Name	Remarks
	0661 1000 33		ZR 630 60Hz 10.4bar(e) With aftercooler		0830 1006 30		ZR 630 7.5bar(e) CE Hot air variant		
	0661 1000 33		ZR 630 10.4bar(e) CE Hot air variant		0832 1001 08		ZR 630 7.5bar(e) ASME Hot air variant		
	0661 1000 32		ZR 750 50Hz 7.5bar(e) With aftercooler		0830 1006 30		ZR 630 7.5bar(e) CHINA Hot air variant		
	0661 1000 32		ZR 750 7.5bar(e) CE Hot air variant		0832 1001 08		ZR 630 7.5bar(e) DIR Hot air variant		
	0661 1000 32		ZR 750 7.5bar(e) CHINA Hot air variant		0830 1008 09		ZR 630 8.6bar(e) With aftercooler		
	0661 1000 32		ZR 750 8.6bar(e) With aftercooler		0830 1006 30		ZR 630 8.6bar(e) CE Hot air variant		
	0661 1000 32		ZR 750 8.6bar(e) CE Hot air variant		0832 1001 08		ZR 630 8.6bar(e) ASME Hot air variant		
	0661 1000 32		ZR 750 8.6bar(e) CHINA Hot air variant		0830 1006 30		ZR 630 8.6bar(e) CHINA Hot air variant		
	0661 1000 32		ZR 750 10bar(e) CE Hot air variant		0832 1001 08		ZR 630 8.6bar(e) DIR Hot air variant		
	0661 1000 32		ZR 750 10bar(e) CHINA Hot air variant		0832 1000 48		ZR 630 10bar(e) ASME Hot air variant		
	0661 1000 32		ZR 750 10.4bar(e) CE Hot air variant		0832 1000 48		ZR 630 10bar(e) DIR Hot air variant		
5035		1	Safety valve		0832 1000 48		ZR 630 10.4bar(e) ASME Hot air variant		
	0832 1000 44		ZR 450 7.5bar(e) ASME Hot air variant		0830 1008 09		ZR 750 50Hz 7.5bar(e) With aftercooler		
	0832 1000 44		ZR 450 7.5bar(e) DIR Hot air variant		0830 1006 30		ZR 750 7.5bar(e) CE Hot air variant		
	0832 1000 44		ZR 450 8.6bar(e) ASME Hot air variant		0832 1000 44		ZR 750 7.5bar(e) ASME Hot air variant		
	0832 1000 44		ZR 450 8.6bar(e) DIR Hot air variant		0830 1006 30		ZR 750 7.5bar(e) CHINA Hot air variant		
	0832 1000 48		ZR 450 10bar(e) ASME Hot air variant		0832 1000 44		ZR 750 7.5bar(e) DIR Hot air variant		
	0832 1000 48		ZR 450 10bar(e) DIR Hot air variant		0830 1008 09		ZR 750 8.6bar(e) With aftercooler		
	0832 1000 48		ZR 450 10.4bar(e) ASME Hot air variant		0830 1006 30		ZR 750 8.6bar(e) CE Hot air variant		
	0830 1006 09		ZR 500 7.5bar(e) CE Hot air variant		0832 1000 44		ZR 750 8.6bar(e) ASME Hot air variant		
	0832 1000 44		ZR 500 7.5bar(e) ASME Hot air variant		0830 1006 30		ZR 750 8.6bar(e) CHINA Hot air variant		
	0830 1006 09		ZR 500 7.5bar(e) CHINA Hot air variant		0832 1000 44		ZR 750 8.6bar(e) DIR Hot air variant		
	0832 1000 44		ZR 500 7.5bar(e) DIR Hot air variant		0830 1006 28		ZR 750 10bar(e) CE Hot air variant		
	0830 1008 09		ZR 500 60Hz 8.6bar(e) With aftercooler		0832 1000 48		ZR 750 10bar(e) ASME Hot air variant		
	0830 1006 09		ZR 500 8.6bar(e) CE Hot air variant		0830 1006 28		ZR 750 10bar(e) CHINA Hot air variant		
	0832 1000 44		ZR 500 50Hz 8.6bar(e) ASME Hot air variant		0832 1000 48		ZR 750 10bar(e) DIR Hot air variant		
	0832 1001 08		ZR 500 60Hz 8.6bar(e) ASME Hot air variant		0830 1006 28		ZR 750 10.4bar(e) CE Hot air variant		
	0830 1006 09		ZR 500 8.6bar(e) CHINA Hot air variant		0832 1000 48		ZR 750 10.4bar(e) ASME Hot air variant		
	0832 1000 44		ZR 500 8.6bar(e) DIR Hot air variant	5036		1	Plug		
	0832 1000 48		ZR 500 10bar(e) ASME Hot air variant		0686 3115 53		ZR 450 With aftercooler ZR 450 7.5bar(e) CE		
	0832 1000 48		ZR 500 10bar(e) DIR Hot air variant		0686 3115 53		Hot air variant ZR 450 7.5bar(e) CHINA		
	0832 1000 48		ZR 500 10.4bar(e) ASME Hot air variant		0686 3115 53		Hot air variant ZR 450 8.6bar(e) CE		
	0830 1008 09		ZR 630 50Hz 7.5bar(e) With aftercooler		0686 3115 53		Hot air variant		

3



63362\_02

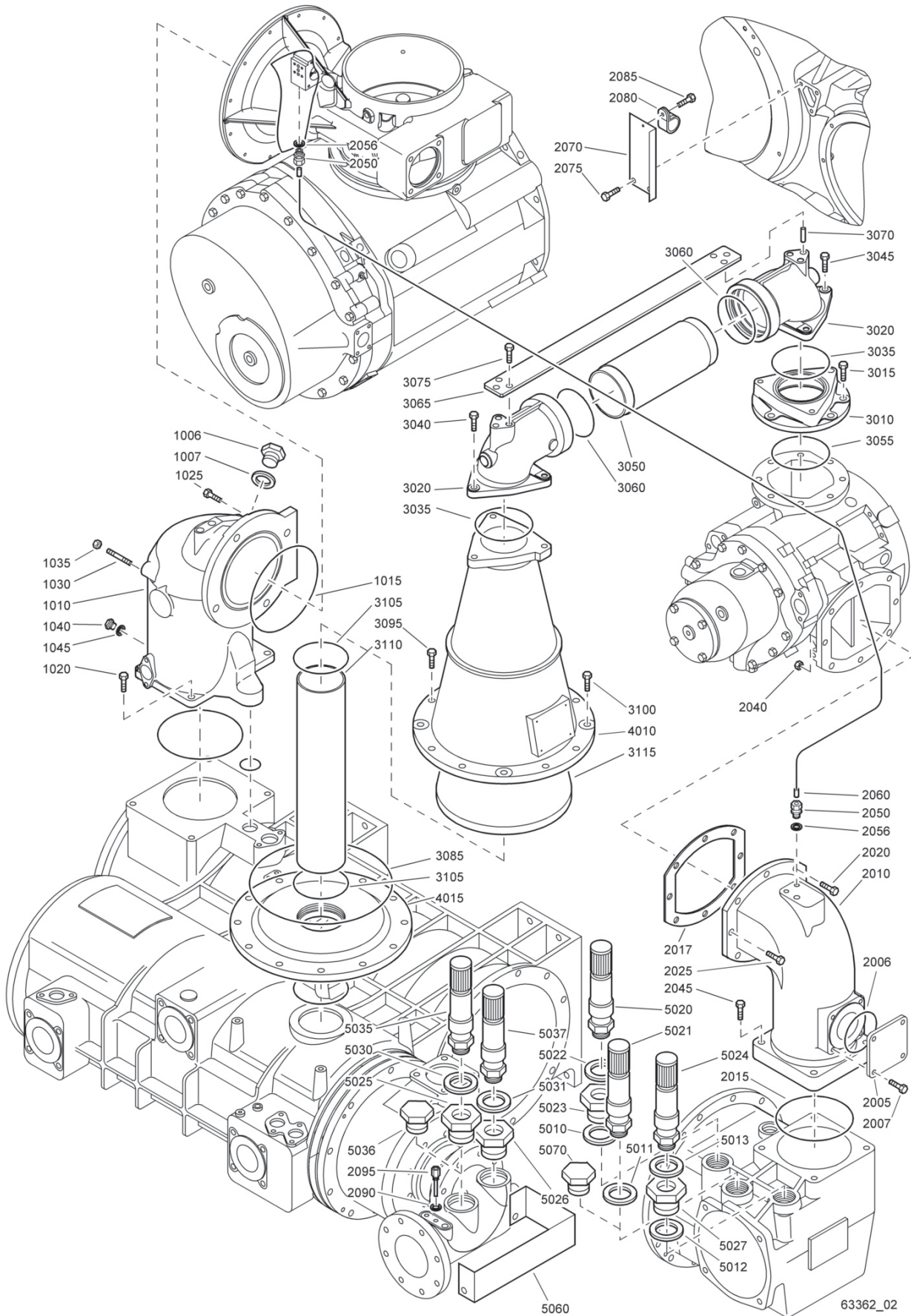
63362\_02

## Air flow

3

Ref.	Part number	Qty	Name	Remarks	Ref.	Part number	Qty	Name	Remarks
	0686 3115 53		ZR 450 8.6bar(e) CHINA Hot air variant		0832 1000 48		ZR 450 10bar(e) DIR Hot air variant		
	0686 3115 53		ZR 450 10bar(e) CE Hot air variant		0830 1008 14		ZR 450 60Hz 10.4bar(e) With aftercooler		
	0686 3115 53		ZR 450 10bar(e) CHINA Hot air variant		0830 1006 32		ZR 450 10.4bar(e) CE Hot air variant		
	0686 3115 53		ZR 450 10.4bar(e) CE Hot air variant		0832 1000 48		ZR 450 10.4bar(e) ASME Hot air variant		
	0686 3115 53		ZR 500 50Hz 7.5bar(e) With aftercooler		0830 1008 10		ZR 500 50Hz 7.5bar(e) With aftercooler		
	0686 3115 53		ZR 500 50Hz 8.6bar(e) With aftercooler		0830 1006 09		ZR 500 7.5bar(e) CE Hot air variant		
	0686 3115 53		ZR 500 50Hz 10bar(e) With aftercooler		0832 1000 44		ZR 500 7.5bar(e) ASME Hot air variant		
	0686 3115 53		ZR 500 10bar(e) CE Hot air variant		0830 1006 09		ZR 500 7.5bar(e) CHINA Hot air variant		
	0686 3115 53		ZR 500 10bar(e) CHINA Hot air variant		0832 1000 44		ZR 500 7.5bar(e) DIR Hot air variant		
	0686 3115 53		ZR 500 60Hz 10.4bar(e) With aftercooler		0830 1008 14		ZR 500 50Hz 10bar(e) With aftercooler		
	0686 3115 53		ZR 500 10.4bar(e) CE Hot air variant		0830 1008 10		ZR 500 50Hz 8.6bar(e) With aftercooler		
	0686 3115 53		ZR 630 50Hz 10bar(e) With aftercooler		0830 1008 09		ZR 500 60Hz 8.6bar(e) With aftercooler		
	0686 3115 53		ZR 630 10bar(e) CE Hot air variant		0830 1006 09		ZR 500 8.6bar(e) CE Hot air variant		
	0686 3115 53		ZR 630 10bar(e) CHINA Hot air variant		0832 1000 44		ZR 500 50Hz 8.6bar(e) ASME Hot air variant		
	0686 3115 53		ZR 630 60Hz 10.4bar(e) With aftercooler		0832 1000 44		ZR 500 60Hz 8.6bar(e) ASME Hot air variant		
	0686 3115 53		ZR 630 10.4bar(e) CE Hot air variant		0830 1006 09		ZR 500 8.6bar(e) CHINA Hot air variant		
	0686 3115 53		ZR 750 50Hz 10bar(e) With aftercooler		0832 1000 44		ZR 500 8.6bar(e) DIR Hot air variant		
	0686 3115 53		ZR 750 60Hz 10.4bar(e) With aftercooler		0830 1006 32		ZR 500 10bar(e) CE Hot air variant		
5037		1	Safety valve		0832 1000 48		ZR 500 10bar(e) ASME Hot air variant		
	0830 1008 10		ZR 450 50Hz 7.5bar(e) With aftercooler		0830 1006 32		ZR 500 10bar(e) CHINA Hot air variant		
	0830 1006 30		ZR 450 7.5bar(e) CE Hot air variant		0832 1000 48		ZR 500 10bar(e) DIR Hot air variant		
	0832 1000 44		ZR 450 7.5bar(e) ASME Hot air variant		0830 1008 15		ZR 500 60Hz 10.4bar(e) With aftercooler		
	0830 1006 30		ZR 450 7.5bar(e) CHINA Hot air variant		0830 1006 32		ZR 500 10.4bar(e) CE Hot air variant		
	0832 1000 44		ZR 450 7.5bar(e) DIR Hot air variant		0832 1000 48		ZR 500 10.4bar(e) ASME Hot air variant		
	0830 1008 10		ZR 450 8.6bar(e) With aftercooler		0830 1008 09		ZR 630 50Hz 7.5bar(e) With aftercooler		
	0830 1006 30		ZR 450 8.6bar(e) CE Hot air variant		0830 1006 09		ZR 630 7.5bar(e) CE Hot air variant		
	0832 1000 44		ZR 450 8.6bar(e) ASME Hot air variant		0832 1000 44		ZR 630 7.5bar(e) ASME Hot air variant		
	0830 1006 30		ZR 450 8.6bar(e) CHINA Hot air variant		0830 1006 09		ZR 630 7.5bar(e) CHINA Hot air variant		
	0832 1000 44		ZR 450 8.6bar(e) DIR Hot air variant		0832 1000 44		ZR 630 7.5bar(e) DIR Hot air variant		
	0830 1008 14		ZR 450 50Hz 10bar(e) With aftercooler		0830 1008 09		ZR 630 8.6bar(e) With aftercooler		
	0832 1000 48		ZR 450 10bar(e) ASME Hot air variant		0830 1006 09		ZR 630 8.6bar(e) CE Hot air variant		
	0830 1006 32		ZR 450 10bar(e) CE Hot air variant		0832 1000 44		ZR 630 8.6bar(e) ASME Hot air variant		
	0830 1006 32		ZR 450 10bar(e) CHINA Hot air variant						

3



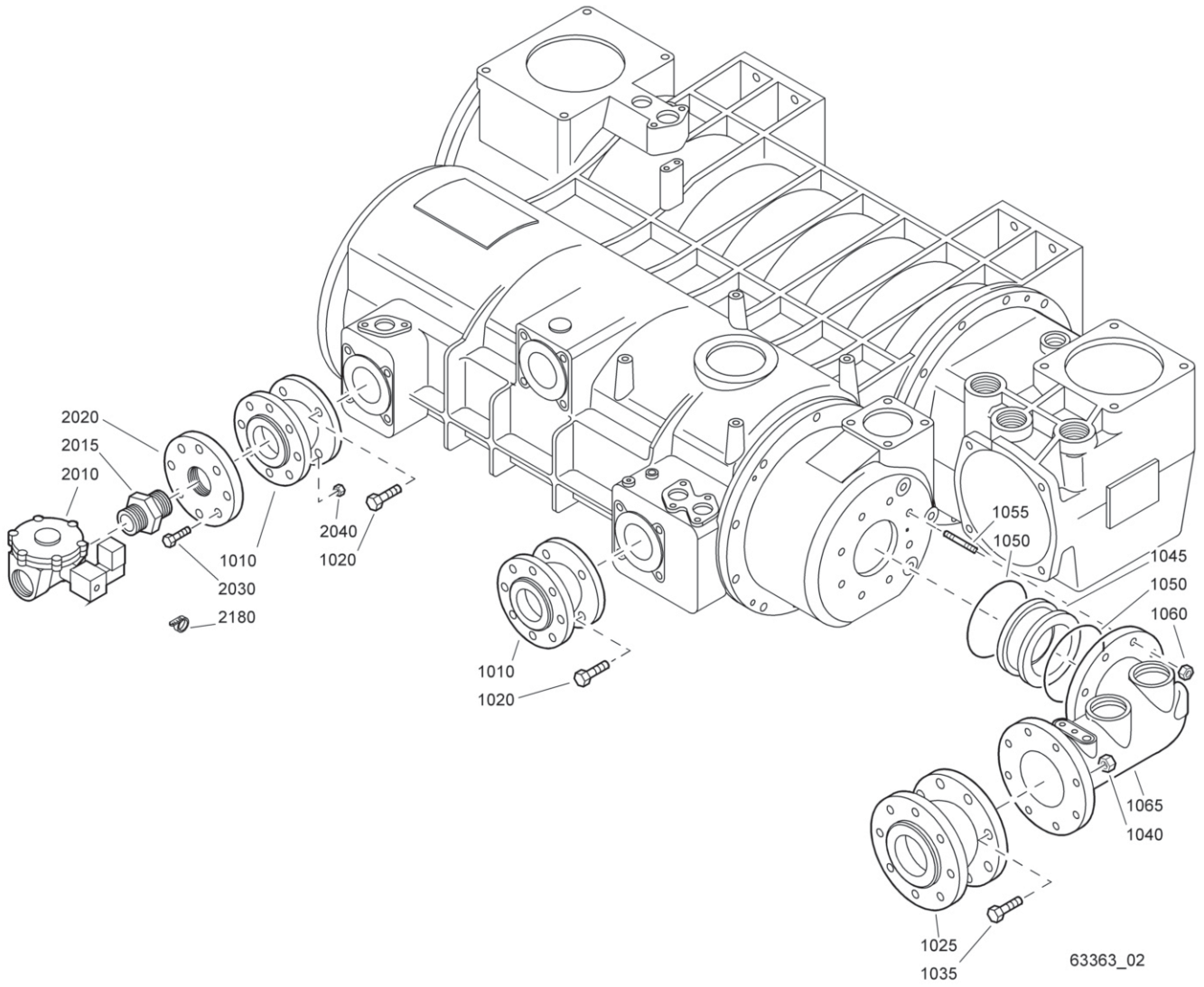


## Air flow

## 3

Ref.	Part number	Qty	Name	Remarks	Ref.	Part number	Qty	Name	Remarks
	0830 1006 09		ZR 630 8.6bar(e) CHINA Hot air variant			0832 1000 48		ZR 750 10bar(e) ASME Hot air variant	
	0832 1000 44		ZR 630 8.6bar(e) DIR Hot air variant			0830 1006 28		ZR 750 10bar(e) CHINA Hot air variant	
	0830 1008 15		ZR 630 50Hz 10bar(e) With aftercooler			0832 1000 48		ZR 750 10bar(e) DIR Hot air variant	
	0830 1006 32		ZR 630 10bar(e) CE Hot air variant			0830 1008 15		ZR 750 60Hz 10.4bar(e) With aftercooler	
	0832 1000 48		ZR 630 10bar(e) ASME Hot air variant			0830 1006 28		ZR 750 10.4bar(e) CE Hot air variant	
	0830 1006 32		ZR 630 10bar(e) CHINA Hot air variant			0832 1000 48		ZR 750 10.4bar(e) ASME Hot air variant	
	0832 1000 48		ZR 630 10bar(e) DIR Hot air variant	5060		1		Support	
	0830 1008 15		ZR 630 60Hz 10.4bar(e) With aftercooler			1621 6429 00		ZR 450 With aftercooler	
	0830 1006 32		ZR 630 10.4bar(e) CE Hot air variant			1621 6429 00		ZR 450 CE Hot air variant	
	0832 1000 48		ZR 630 10.4bar(e) ASME Hot air variant			1621 6429 00		ZR 450 CHINA Hot air variant	
	0830 1008 09		ZR 750 50Hz 7.5bar(e) With aftercooler			1621 6429 00		ZR 500 With aftercooler	
	0830 1006 09		ZR 750 7.5bar(e) CE Hot air variant			1621 6429 00		ZR 500 CE Hot air variant	
	0832 1001 08		ZR 750 7.5bar(e) ASME Hot air variant			1621 6429 00		ZR 500 CHINA Hot air variant	
	0830 1006 09		ZR 750 7.5bar(e) CHINA Hot air variant	5070		1		ZR 630 With aftercooler	
	0832 1001 08		ZR 750 7.5bar(e) DIR Hot air variant			0686 3716 29		ZR 630 CE Hot air variant	
	0830 1008 09		ZR 750 8.6bar(e) With aftercooler			0686 3716 29		ZR 630 CHINA Hot air variant	
	0830 1006 09		ZR 750 8.6bar(e) CE Hot air variant			0686 3716 29		ZR 750 With aftercooler	
	0832 1001 08		ZR 750 8.6bar(e) ASME Hot air variant			0686 3716 29		ZR 750 CE Hot air variant	
	0830 1006 09		ZR 750 8.6bar(e) CHINA Hot air variant			0686 3716 29		ZR 750 CHINA Hot air variant	
	0832 1001 08		ZR 750 8.6bar(e) DIR Hot air variant			0686 3716 29		Plug	
	0830 1008 15		ZR 750 50Hz 10bar(e) With aftercooler			0686 3716 29		ZR 450	
	0830 1006 28		ZR 750 10bar(e) CE Hot air variant			0686 3716 29		ZR 500 7.5bar(e)	
						0686 3716 29		ZR 500 50Hz 8.6bar(e) With aftercooler	
						0686 3716 29		ZR 500 8.6bar(e) CE Hot air variant	
						0686 3716 29		ZR 500 50Hz 8.6bar(e) ASME Hot air variant	
						0686 3716 29		ZR 500 8.6bar(e) CHINA Hot air variant	
						0686 3716 29		ZR 500 8.6bar(e) DIR Hot air variant	
						0686 3716 29		ZR 500 10bar(e)	
						0686 3716 29		ZR 500 10.4bar(e)	
						0686 3716 29		ZR 630 10bar(e)	
						0686 3716 29		ZR 630 10.4bar(e)	

4



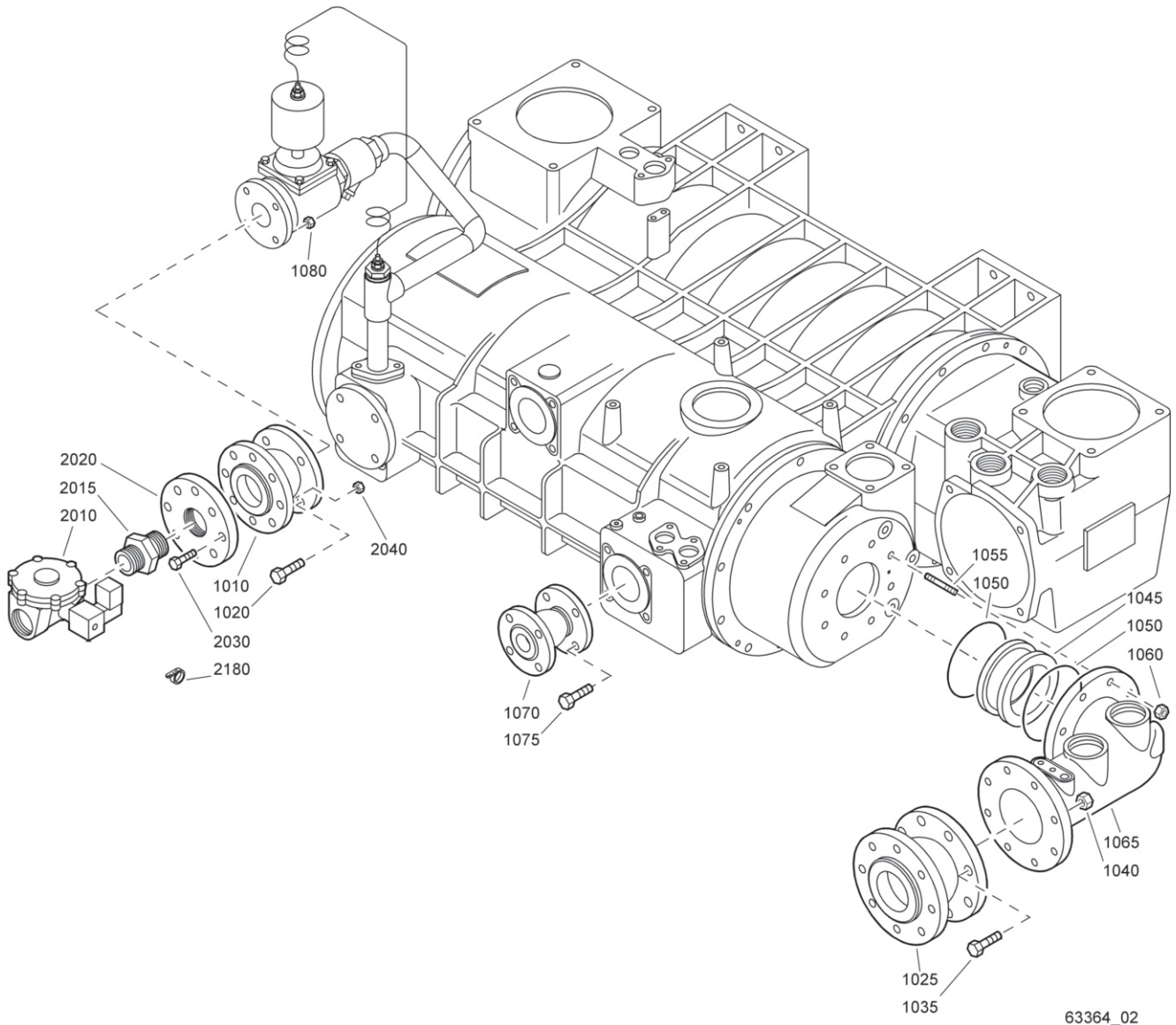
63363\_02

## Air outlet - Water and air connections - With aftercooler

## 4

Ref.	Partnumber	Qty	Name	Remarks	Ref.	Partnumber	Qty	Name	Remarks
1010	1621 8114 00	2	Compensator			2906 0540 00	• 1	Overhaul kit	
	1621 3098 00		ANSI		1050	0663 2108 94	2	O-ring	
			DIN		1055	0246 1956 59	8	Stud	
1020	0147 1964 52	8	Bolt		1060	0261 1090 90	8	Nut	
1025		1	Compensator		1065	1621 6337 01	1	Pipe	
	1621 6311 00		ANSI		2010	1089 0380 21	1	Solenoid valve	
	1619 3120 03		DIN		2015	0603 4150 12	1	Hexagon nipple	
1035	0147 1964 54	8	Bolt		2020	1621 6302 00	1	Flange	
1040	0291 1114 00	8	Locknut		2030	0147 1481 03	4	Bolt	
<b>1045</b>	<b>1621 1712 02</b>	<b>1</b>	<b>Check valve</b>		2040	0291 1114 00	4	Locknut	
	1614 8756 00	• 2	Plate		2180	1088 1301 02	20	Cable strip	

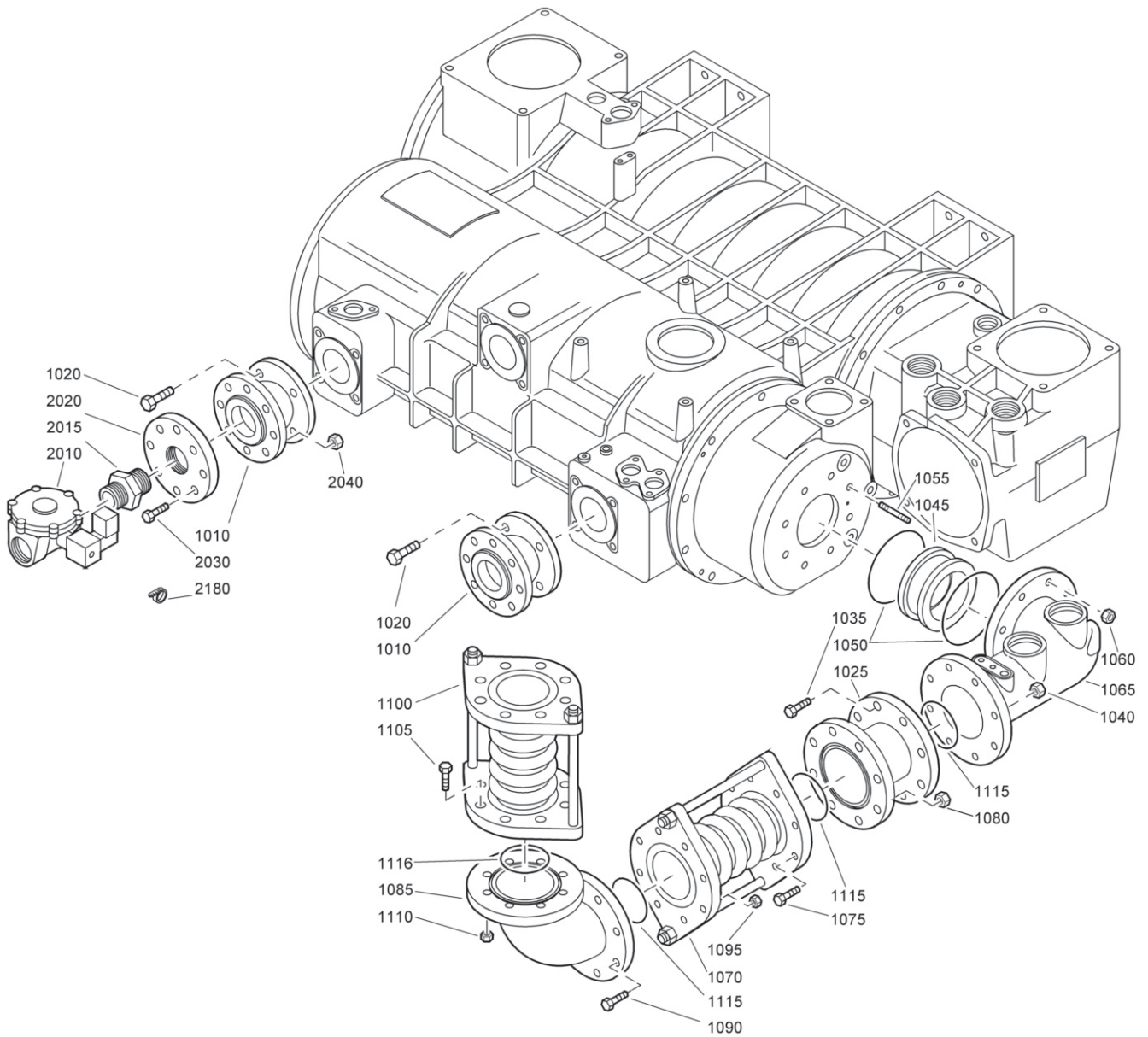
# 5



## Air outlet - Water and air connections - With aftercooler - With ENergy REcovery 5

Ref.	Partnumber	Qty	Name	Remarks	Ref.	Partnumber	Qty	Name	Remarks
1010	1621 8114 00	1	Compensator ANSI		1055	0246 1956 59	8	Stud	
	1621 3098 00		DIN		1060	0261 1090 90	8	Nut	
1020	0147 1964 52	4	Bolt		1065	1621 6337 01	1	Pipe	
1025	1621 6311 00	1	Compensator ANSI		1070	1621 6127 00	1	Compensator	
	1619 3120 03		DIN		1075	0147 1962 36	4	Bolt	
1035	0147 1964 54	8	Bolt		1080	0291 1114 00	4	Locknut	
1040	0291 1114 00	8	Locknut		2010	1089 0380 21	1	Solenoid valve	
<b>1045</b>	<b>1621 1712 02</b>	<b>1</b>	<b>Check valve</b>		2015	0603 4150 12	1	Hexagon nipple	
	1614 8756 00	• 2	Plate		2020	1621 6302 00	1	Flange	
	2906 0540 00	• 1	Overhaul kit		2030	0147 1481 03	4	Bolt	
1050	0663 2108 94	2	O-ring		2040	0291 1114 00	4	Locknut	
					2 180	1088 1301 02	20	Cable strip	

# 6



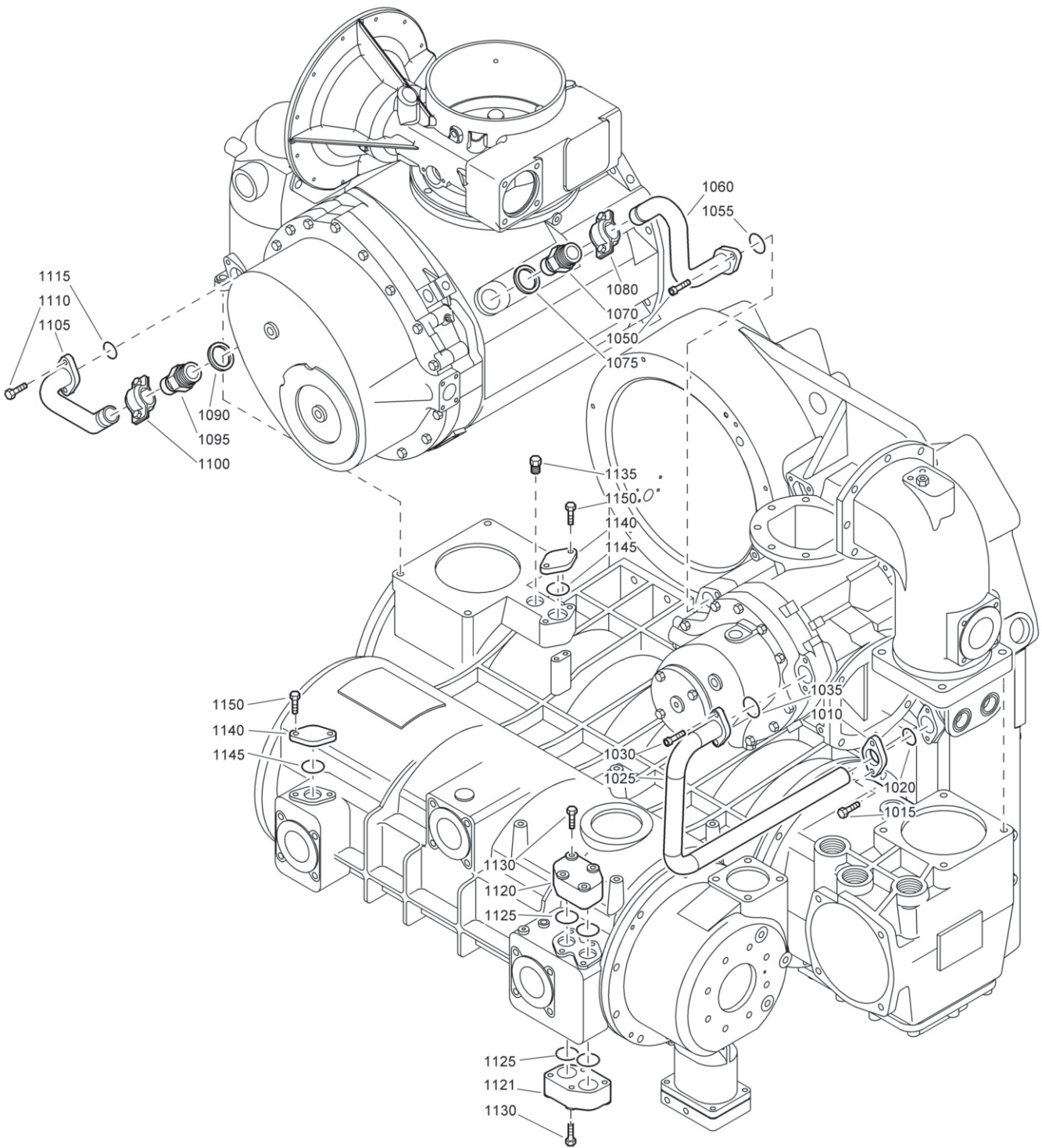
63365\_02

## Air outlet - Water and air connections - Hot air variant

## 6

Ref.	Partnumber	Qty	Name	Remarks	Ref.	Partnumber	Qty	Name	Remarks
1010		2	Compensator		1085	1621 6350 00	1	Bend	
	1621 8114 00		ANSI		1090	0147 1482 03	8	Bolt	
	1621 3098 00		DIN		1095	0291 1114 00	8	Locknut	
1020	0147 1964 52	8	Bolt		1100		1	Compensator	
1025	1621 6349 00	1	Pipe			1621 6271 03		ANSI	
1035	0147 1964 54	8	Bolt			1621 0177 06		DIN	
1040	0291 1114 00	8	Locknut		1105	0147 1482 03	8	Bolt	
<b>1045</b>	<b>1621 1712 02</b>	<b>1</b>	<b>Check valve</b>		1110	0291 1114 00	8	Locknut	
	1614 8756 00	• 2	Plate		1115	0663 2106 58	3	O-ring	
	2906 0540 00	• 1	Overhaul kit		1116	0663 2106 58	1	O-ring	
1050	0663 2108 94	2	O-ring		2010	1089 0380 21	1	Solenoid valve	
1055	0246 1956 59	8	Stud		2015	0603 4150 12	1	Hexagon nipple	
1060	0261 1090 90	8	Nut		2020	1621 6302 00	1	Flange	
1065	1621 6337 02	1	Pipe		2030	0147 1481 03	4	Bolt	
1070	1621 0177 06	1	Compensator		2040	0291 1114 00	4	Locknut	
1075	0147 1482 03	8	Bolt		2180	1088 1301 02	20	Cable strip	
1080	0291 1114 00	8	Locknut						

7



63366\_06

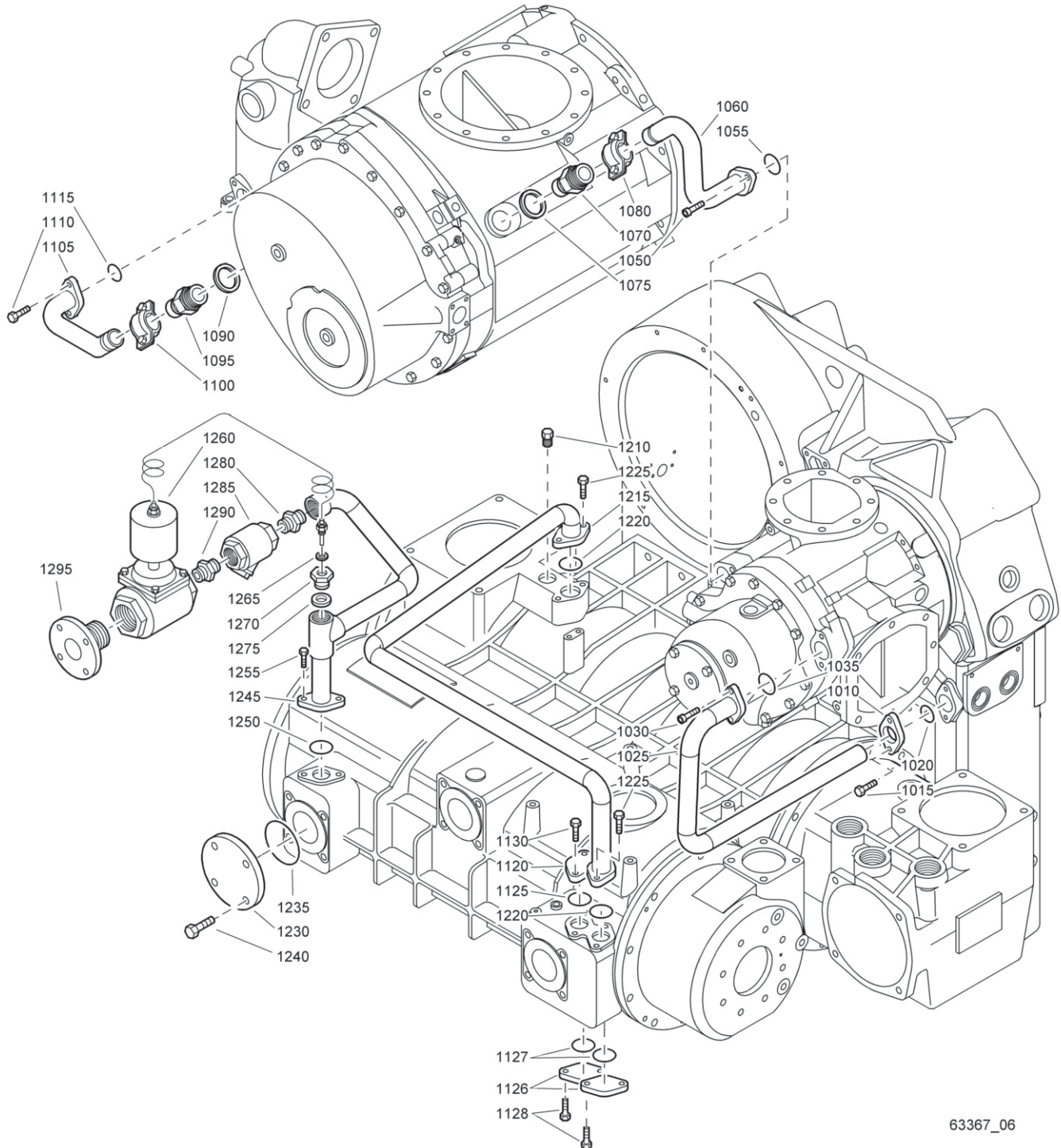


## Water system - No Energy Recovery

7

Ref.	Part number	Qty	Name	Remarks	Ref.	Part number	Qty	Name	Remarks
1010	1621 6054 00	1	Flange		1110	0147 1402 03	2	Bolt	
1015	0147 1402 03	2	Bolt		1115	0663 2108 08	1	O-ring	
1020	0663 2108 62	1	O-ring		1120	1621 4085 00	1	Connection	
1025	1621 6208 00	1	Pipe		1121	1621 4085 00	1	Connection	
1030	0211 1413 03	2	Cap screw		1125	0663 2108 08	4	O-ring	
1035	0663 2108 08	1	O-ring		1130		8	Bolt	
1050	0211 1413 03	2	Cap screw			0147 1962 37		ASME	
1055	0663 2108 08	1	O-ring			0147 1962 34		CE	
1060	1621 6209 00	1	Pipe			0147 1962 34		CHINA	
1070	1621 1834 00	1	Nipple			0147 1962 34		DIR	
1075	0661 1000 33	1	Seal washer		1135	1621 6285 00	1	Nipple	
<b>1080</b>	<b>0634 1000 20</b>	<b>1</b>	<b>Victaulic coupling</b>		1140	1621 1609 00	2	Flange	
	0634 1000 26	• 1	Gasket		1145	0663 2108 08	2	O-ring	
1090	0661 1000 33	1	Seal washer		1150		4	Bolt	
1095	1621 1834 00	1	Nipple			0147 1964 23		ASME	
<b>1100</b>	<b>0634 1000 20</b>	<b>1</b>	<b>Victaulic coupling</b>			0147 1402 03		CE	
	0634 1000 26	• 1	Gasket			0147 1402 03		CHINA	
1105	1621 1835 00	1	Pipe			0147 1402 03		DIR	

8



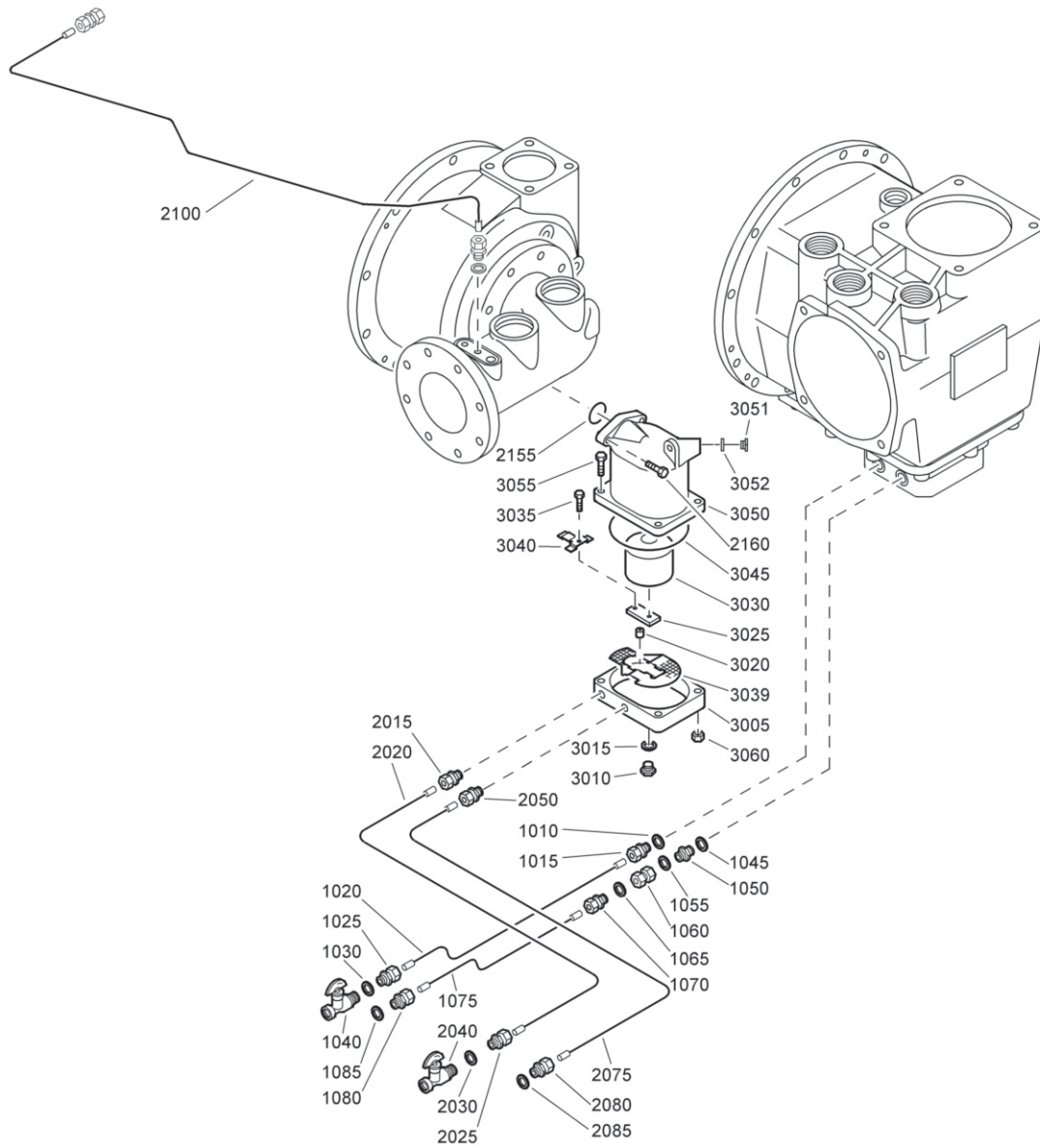
63367\_06

## Water system - With Energy Recovery

8

Ref.	Partnumber	Qty	Name	Remarks	Ref.	Partnumber	Qty	Name	Remarks
1010	1621 6054 00	1	Flange			0147 1402 03		CE	
1015	0147 1402 03	2	Bolt			0147 1402 03		CHINA	
1020	0663 2108 62	1	O-ring			0147 1402 03		DIR	
1025	1621 6208 00	1	Pipe		1210	1621 6125 00	1	Nipple	
1030	0211 1413 03	2	Cap screw		1215	1621 6322 00	1	Pipe	
1035	0663 2108 08	1	O-ring		1220	0663 2108 08	2	O-ring	
1050	0211 1413 03	2	Cap screw		1225		4	Bolt	
1055	0663 2108 08	1	O-ring			0147 1964 23		ASME	
1060	1621 6209 00	1	Pipe			0147 1402 03		CE	
1070	1621 1834 00	1	Nipple			0147 1402 03		CHINA	
1075	0661 1000 33	1	Seal washer			0147 1402 03		DIR	
<b>1080</b>	<b>0634 1000 20</b>	<b>1</b>	<b>Victaulic coupling</b>		1230	1621 6328 00	1	Flange	
	0634 1000 26	• 1	Gasket		1235	0663 7145 00	1	O-ring	
1090	0661 1000 33	1	Seal washer		1240	0147 1477 03	4	Bolt	
1095	1621 1834 00	1	Nipple		1245	1621 6806 00	1	Pipe	
<b>1100</b>	<b>0634 1000 20</b>	<b>1</b>	<b>Victaulic coupling</b>		1250	0663 2108 08	1	O-ring	
	0634 1000 26	• 1	Gasket		1255	0147 1402 03	2	Bolt	
1105	1621 1835 00	1	Pipe		1260	1614 8752 00	1	Thermostatic valve	
1110	0147 1402 03	2	Bolt		1265	1619 6554 00	1	Capillary seal	
1115	0663 2108 08	1	O-ring		1270	0605 8300 86	1	Bushing	
1120	1621 1609 00	1	Flange		1275	0661 1000 27	1	Seal washer	
1125	0663 2108 08	1	O-ring		1280	0603 4108 03	1	Hexagon nipple	
1126	1621 1609 00	2	Flange		1285	1621 6414 00	1	Filter	
1127	0663 2108 08	2	O-ring		1290	0603 4108 03	1	Hexagon nipple	
1128	0147 1402 03	4	Bolt		1295	1621 6122 00	1	Pipe	
1130		2	Bolt						
	0147 1964 23		ASME						

# 9



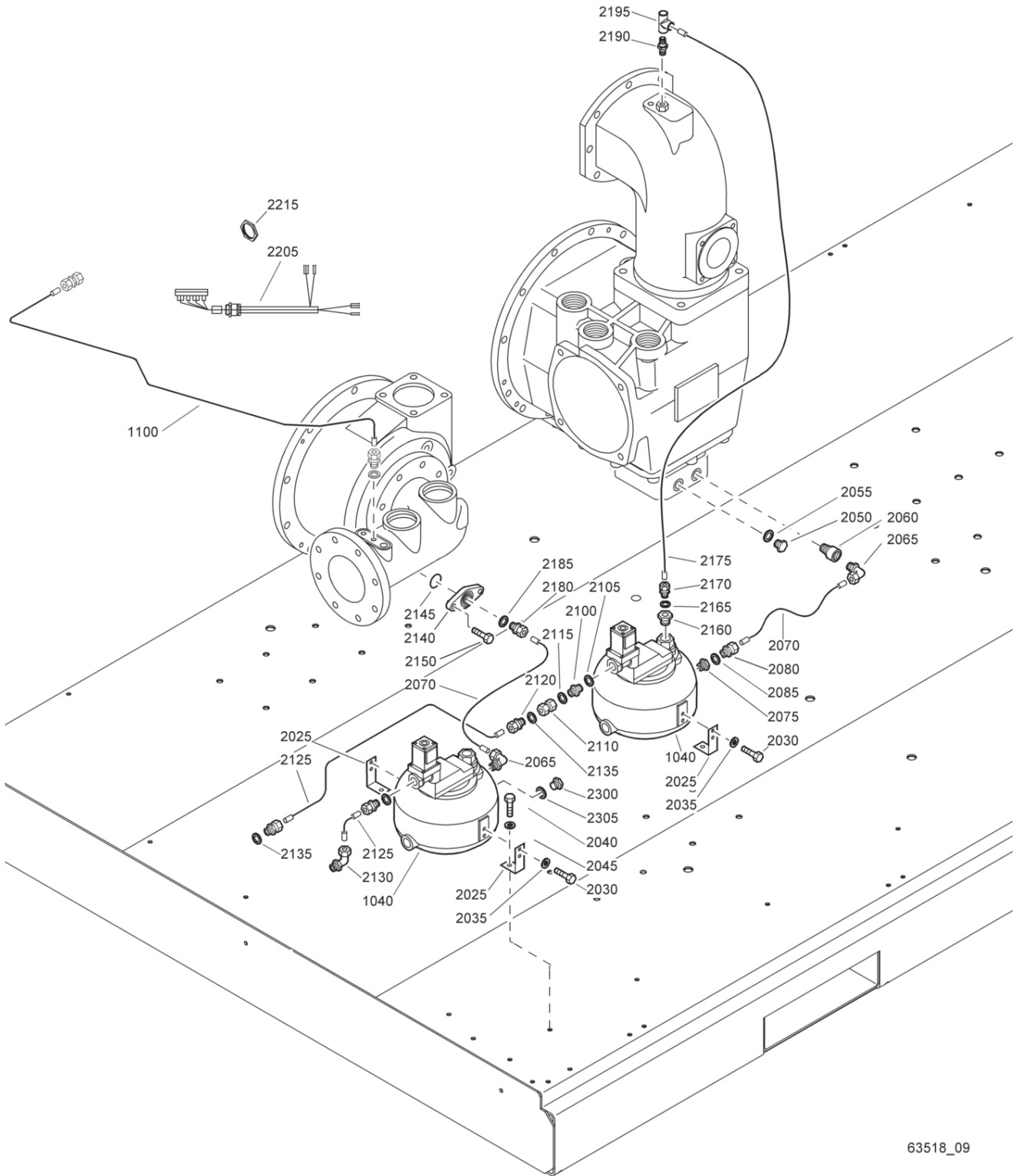
63368\_09

## Drain system - Basic version

9

Ref.	Partnumber	Qty	Name	Remarks	Ref.	Partnumber	Qty	Name	Remarks
1010	0661 1000 27	1	Seal washer		2080	0581 0000 71	1	Pipe coupling	
1015	0581 0000 71	1	Pipe coupling		2085	0661 1000 27	1	Seal washer	
1020	0070 6002 13	AR	Plastic tube		2100	1621 4099 00	1	Pipe	
1025	0581 0000 71	1	Pipe coupling		2155	0663 2107 82	1	O-ring	
1030	0661 1000 27	1	Seal washer		2160	0211 1965 14	2	Cap screw	
1040	0852 0010 14	1	Ball valve			<b>1621 3177 81</b>	<b>1</b>	<b>Drain valve</b>	
1045	0661 1000 27	1	Seal washer		3005	1621 3097 00	• 1	Valve base	
1050	0603 4200 19	1	Hexagon nipple		3010	0686 3716 44	• 1	Hexagon plug	
1055	0661 1000 27	1	Seal washer		3015	0661 1000 25	• 1	Seal washer	
1060	8204 0940 34	1	Valve		3020	1614 7735 00	• 1	Insert	
1065	0661 1000 27	1	Seal washer		3025	1202 3739 00	• 1	Membrane	
1070	0581 0000 71	1	Pipe coupling		3030	1202 3825 00	• 1	Float	
1075	0070 6002 13	AR	Plastic tube		3035	0147 1962 65	• 1	Bolt	
1080	0581 0000 71	1	Pipe coupling		3039	1621 3746 00	• 1	Strainer	
1085	0661 1000 27	1	Seal washer		3040	1621 3747 00	• 1	Clamp	
2015	0581 1200 38	1	Pipe coupling		3045	0663 2107 85	• 1	O-ring	
2020	0070 6002 13	AR	Plastic tube		3050	1621 3177 00	• 1	Valve housing	
2025	0581 0000 71	1	Pipe coupling		3051	0686 3716 45	• 1	Hexagon plug	
2030	0661 1000 27	1	Seal washer		3052	0661 1000 27	• 1	Seal washer	
2040	0852 0010 14	1	Ball valve		3055	0147 1371 03	• 4	Bolt	
2050	0581 1200 38	1	Pipe coupling		3060	0266 2111 00	• 4	Nut	
2075	0070 6002 13	AR	Plastic tube						

# 10



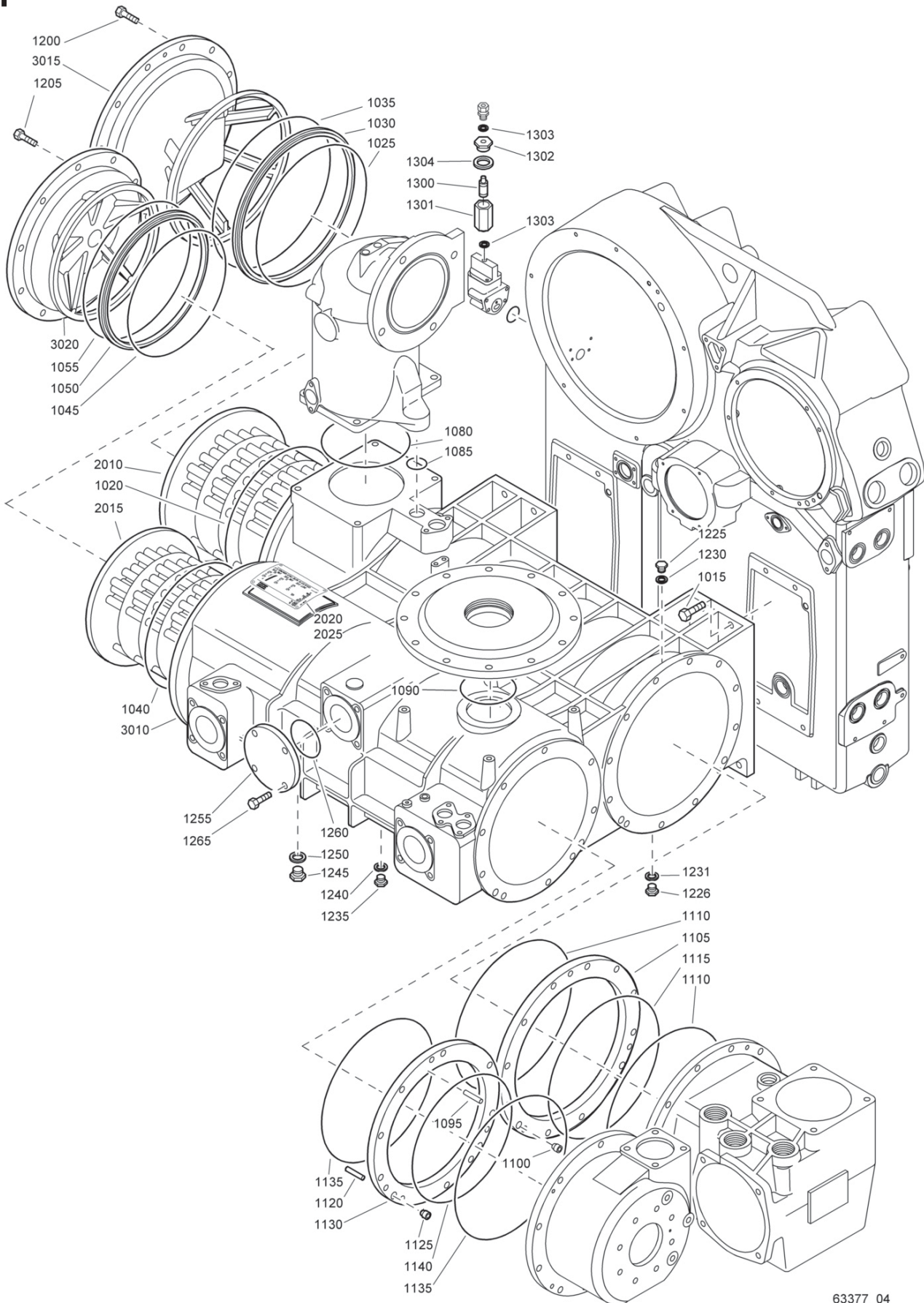
63518\_09

## Drain system - Electronic condensate drains

10

Ref.	Part number	Qty	Name	Remarks	Ref.	Part number	Qty	Name	Remarks
1040		2	Drain valve		2115	0661 1000 27	1	Seal washer	
	8102 0426 97		50Hz		2120	0581 0000 71	3	Pipe coupling	
	8102 0427 05		60Hz		2125	0070 6002 13	AR	Plastic tube	
1100	1621 4099 00	1	Pipe		2130	0581 1200 38	1	Pipe coupling	
2025	1621 4083 00	4	Bracket		2135	0661 1000 27	3	Seal washer	
2030	0147 1244 03	8	Bolt		2140	1614 8790 00	1	Flange	
2035	0301 2321 00	8	Washer		2145	0663 2107 82	1	O-ring	
2040	0147 1322 03	4	Bolt		2150	0147 1363 03	2	Bolt	
2045	0301 2335 00	4	Washer		2160	0605 8300 50	1	Bushing	
2050	0686 3716 02	1	Plug		2165	0661 1000 27	1	Seal washer	
2055	0661 1000 27	1	Seal washer		2170	0581 0000 53	1	Pipe coupling	
2060	0607 2900 08	1	Reducing socket		2175	0070 6002 06	AR	Plastic tube	
2065	0581 1200 45	3	Elbow coupling		2180	0581 0000 45	1	Pipe coupling	
2070	0070 6002 19	AR	Plastic tube		2185	0661 1000 25	1	Seal washer	
2075	0605 8305 00	1	Bushing		2190	0603 4102 03	1	Hexagon nipple	
2080	0581 0001 03	1	Straight pipe coupling		2195	0564 0000 24	1	Tee	
2085	0661 1000 29	1	Seal washer		2205	1621 0941 00	1	Wire harness	
2100	0603 4200 19	1	Hexagon nipple		2215	0697 9809 04	1	Lock nut	
2105	0661 1000 29	1	Seal washer		2300	0686 3716 07	1	Plug	
2110	8204 0940 34	1	Valve		2305	0661 1000 30	1	Seal washer	

# 11



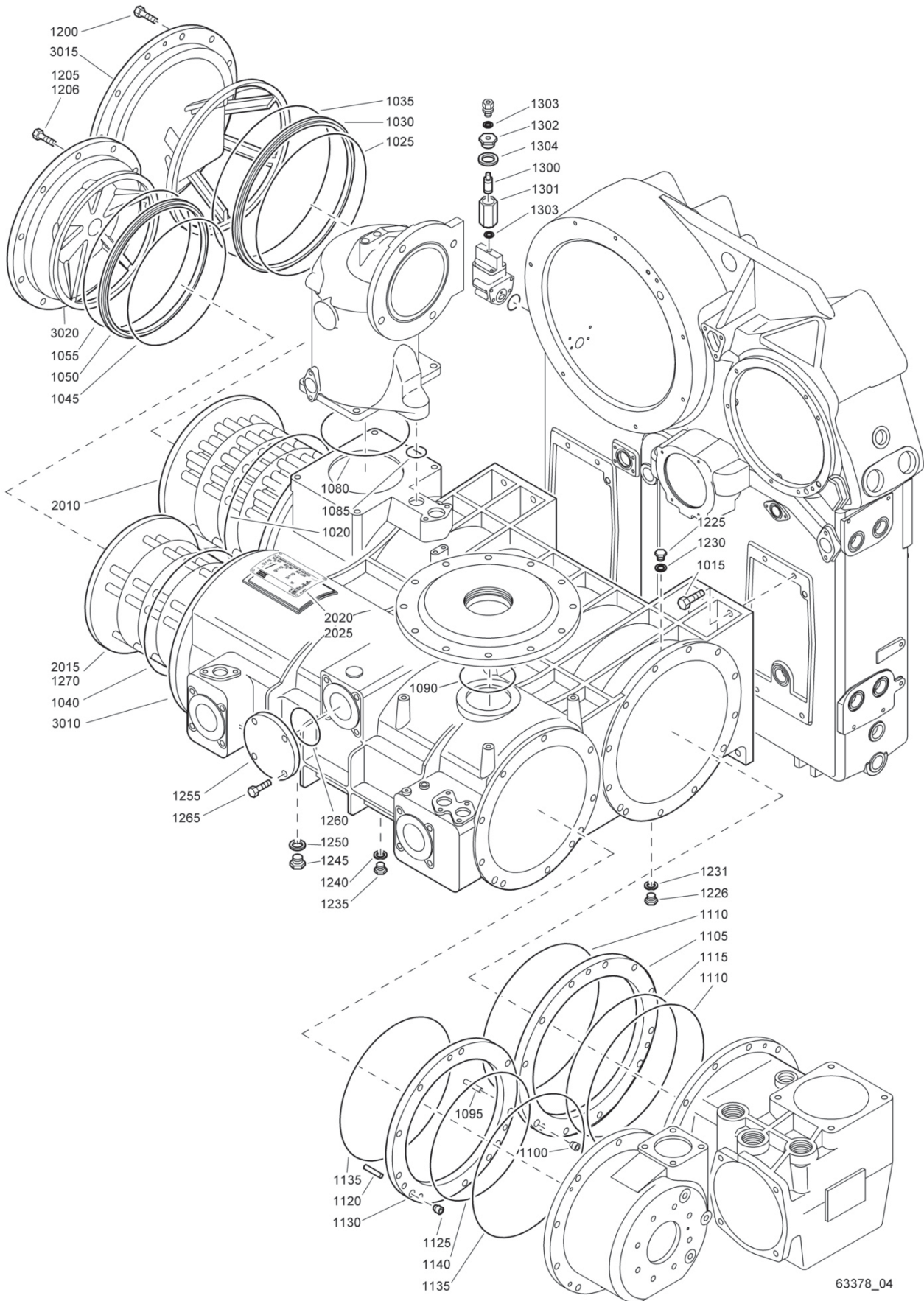
63377\_04



## Coolers - With aftercooler

Ref.	Partnumber	Qty	Name	Remarks	Ref.	Partnumber	Qty	Name	Remarks
1015	0147 1962 35	8	Bolt		1303	0661 1000 25	2	Seal washer	
1020	1621 6428 01	1	Seal		1304	0661 1000 30	1	Seal washer	
1025	0663 2106 96	1	O-ring				1	<b>Core &amp; casing</b>	
1030	1621 1789 00	1	Ring			<b>1621 6188 80</b>		CE	
1035	0663 2106 96	1	O-ring			<b>1621 6188 82</b>		ASME	
1040	1621 6428 02	1	Seal			<b>1621 6188 88</b>		CHINA	
1045	0663 2107 01	1	O-ring			<b>1621 6188 85</b>		DIR	
1050	1621 6192 00	1	Ring		2010		• 1	Cooler core	
1055	0663 2107 01	1	O-ring			1621 1839 08		CE	
1080	0663 2106 95	1	O-ring			1621 1839 02		ASME	
1085	0663 2108 08	1	O-ring			1621 1839 08		CHINA	
1090	0663 2106 58	1	O-ring			1621 1839 02		DIR	
1095	0101 1951 51	2	Pin		2015		• 1	Cooler core	
1100	1621 3063 00	2	Ring			1621 6170 08		CE	
1105	1621 1841 00	1	Ring			1621 6170 02		ASME	
1110	0663 2108 40	2	O-ring			1621 6170 08		CHINA	
1115	0663 2109 74	1	O-ring			1621 6170 02		DIR	
1120	0101 1951 51	2	Pin		2020		1	Data plate	
1125	1621 3063 00	2	Ring			1621 4098 00		ASME	
1130	1621 6000 00	1	Ring		2025		4	Drive screw	
1135	0663 2108 41	2	O-ring			0244 4184 00		ASME	
1140	0663 2109 75	1	O-ring				• 1	<b>Shell &amp; cover</b>	
1200	0147 1962 35	12	Bolt			<b>1621 6189 89</b>		CE	
1205	0147 1962 35	10	Bolt			<b>1621 6189 82</b>		ASME	
1225	0686 3716 01	2	Plug			<b>1621 6189 28</b>		CHINA	
1226	0686 3716 01	2	Plug			<b>1621 6189 85</b>		DIR	
1230	0661 1000 25	2	Seal washer		3010		•• 1	Cooler shell	
1231	0661 1000 25	2	Seal washer			1621 6188 48		CE	
1235	0686 3716 02	1	Plug			1621 6188 02		ASME	
1240	0661 1000 27	1	Seal washer			1621 6188 18		CHINA	
1245	0686 3716 10	2	Plug			1621 6188 05		DIR	
1250	0661 1000 32	2	Seal washer		3015		•• 1	Cover	
1255	1621 6217 00	1	Flange			1621 1790 48		CE	
1260	0663 2107 33	1	O-ring			1621 1790 02		ASME	
1265		4	Bolt			1621 1790 08		CHINA	
	0147 1478 03		CE			1621 1790 05		DIR	
	0147 1964 52		ASME		3020		•• 1	Cover	
	0147 1478 03		CHINA			1621 6189 48		CE	
	0147 1478 03		DIR			1621 6189 02		ASME	
1300	1614 8673 00	1	Filter element			1621 6189 08		CHINA	
1301	1614 8671 00	1	Housing			1621 6189 05		DIR	
1302	1614 8672 00	1	Plug						

# 12

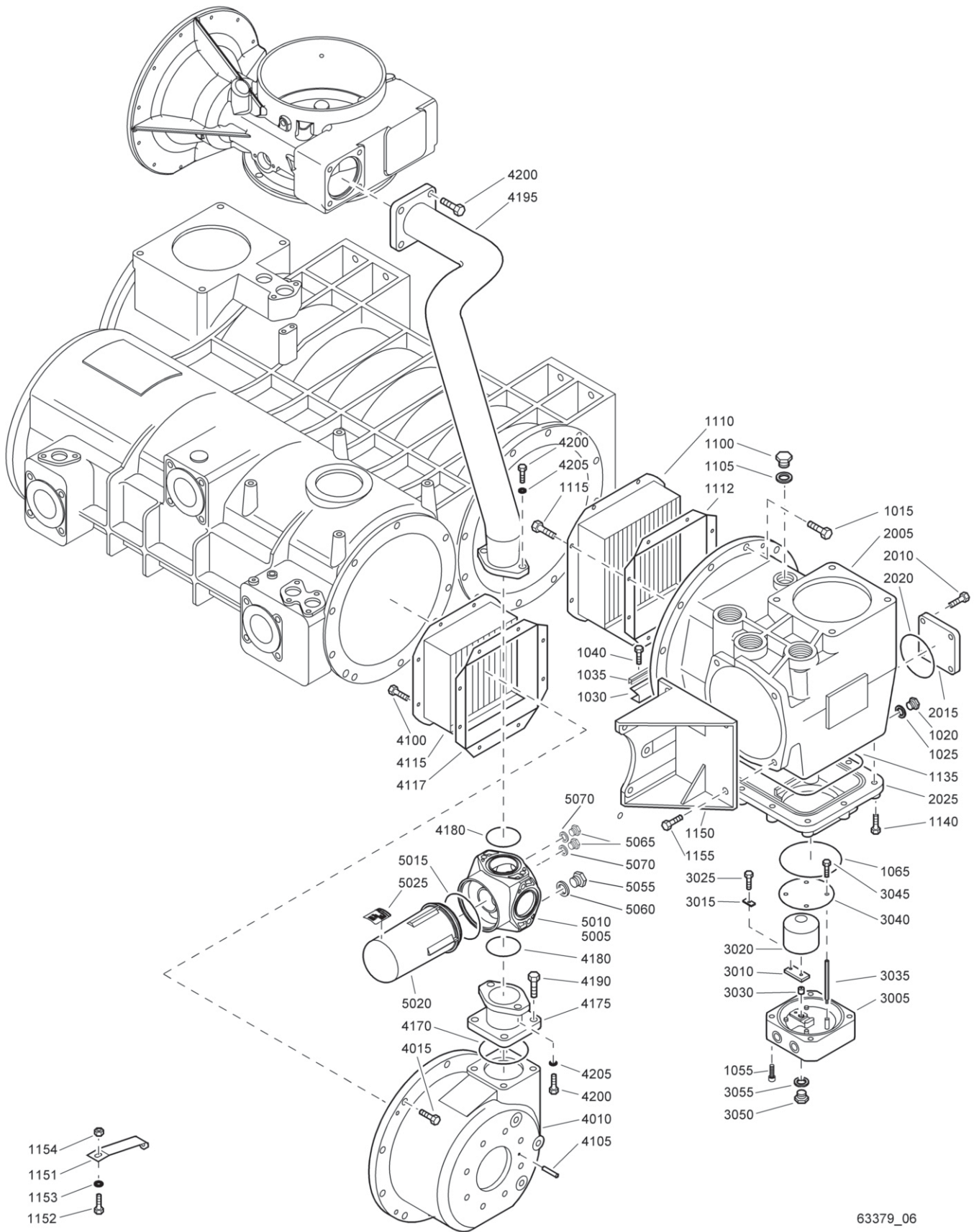


63378\_04

## Coolers - Hot air variant

Ref.	Partnumber	Qty	Name	Remarks	Ref.	Partnumber	Qty	Name	Remarks
1015	0147 1962 35	8	Bolt		1300	1614 8673 01	1	Filter element	
1020	1621 6428 01	1	Seal		1301	1614 8671 00	1	Housing	
1025	0663 2106 96	1	O-ring		1302	1614 8672 00	1	Plug	
1030	1621 1789 00	1	Ring		1303	0661 1000 25	2	Seal washer	
1035	0663 2106 96	1	O-ring		1304	0661 1000 30	1	Seal washer	
1040	1621 6428 02	1	Seal				<b>1</b>	<b>Core &amp; casing</b>	
1045	0663 2107 01	1	O-ring			<b>1621 6343 80</b>		CE	
1050	1621 6192 00	1	Ring			<b>1621 6343 82</b>		ASME	
1055	0663 2107 01	1	O-ring			<b>1621 6343 80</b>		CHINA	
1080	0663 2106 95	1	O-ring			<b>1621 6343 85</b>		DIR	
1085	0663 2108 08	1	O-ring		2010		• 1	Cooler core	
1090	0663 2106 58	1	O-ring			1621 1839 08		CE	
1095	0101 1951 51	2	Pin			1621 1839 02		ASME	
1100	1621 3063 00	2	Ring			1621 1839 08		CHINA	
1105	1621 1841 00	1	Ring			1621 1839 02		DIR	
1110	0663 2108 40	2	O-ring		2015		• 1	Pipe	
1115	0663 2109 74	1	O-ring			1621 6342 02		ASME	
1120	0102 0473 00	2	Pin		2020		• 1	Data plate	
1125	1621 3063 00	2	Ring			1621 4098 00		ASME	
1130	1621 6000 00	1	Ring		2025		• 4	Drive screw	
1135	0663 2108 41	2	O-ring			0244 4184 00		ASME	
1140	0663 2109 75	1	O-ring				• <b>1</b>	<b>Shell &amp; cover</b>	
1200	0147 1962 35	12	Bolt			<b>1621 6189 89</b>		CE	
1205	0147 1962 35	10	Bolt			<b>1621 6189 82</b>		ASME	
1206		10	Bolt			<b>1621 6189 89</b>		CHINA	
	0147 1478 03		ASME			<b>1621 6189 85</b>		DIR	
1225	0686 3716 01	2	Plug		3010		•• 1	Cooler shell	
1226	0686 3716 01	2	Plug			1621 6188 48		CE	
1230	0661 1000 25	2	Seal washer			1621 6188 02		ASME	
1231	0661 1000 25	2	Seal washer			1621 6188 48		CHINA	
1235	0686 3716 02	1	Plug			1621 6188 05		DIR	
1240	0661 1000 27	1	Seal washer		3015		•• 1	Cover	
1245	0686 3716 10	2	Plug			1621 1790 48		CE	
1250	0661 1000 32	2	Seal washer			1621 1790 02		ASME	
1255	1621 6217 00	1	Flange			1621 1790 48		CHINA	
1260	0663 2107 33	1	O-ring			1621 1790 05		DIR	
1265		4	Bolt		3020		•• 1	Cover	
	0147 1478 03		CE			1621 6189 48		CE	
	0147 1964 52		ASME			1621 6189 02		ASME	
	0147 1478 03		CHINA			1621 6189 48		CHINA	
	0147 1478 03		DIR			1621 6189 05		DIR	
1270		1	Cooler core						
	1621 6342 00		CE						
	1621 6342 00		CHINA						
	1621 6342 00		DIR						

# 13

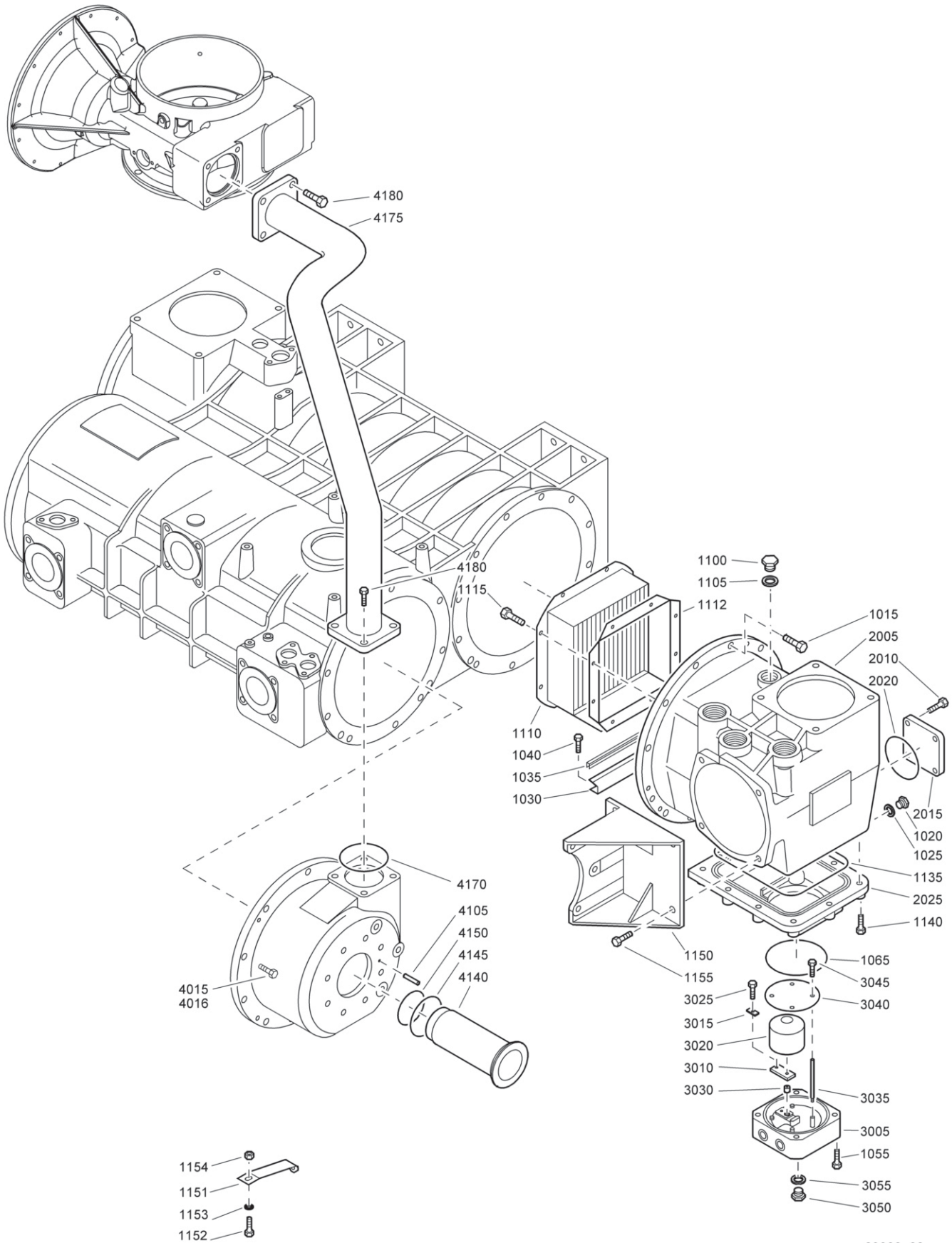


63379\_06

## Coolers - Water separator parts - With aftercooler

Ref.	Partnumber	Qty	Name	Remarks	Ref.	Partnumber	Qty	Name	Remarks
1015		12	Bolt			1621 3059 00		CHINA	
	0147 1485 03		CE			1621 3059 00		DIR	
	0147 1962 37		ASME		2020	0663 2107 25	• 1	O-ring	
	0147 1485 03		CHINA		2025		• 1	Cover	
	0147 1485 03		DIR			1621 6240 02		CE	
1020	0686 3716 02	1	Plug			1621 6240 02		ASME	
1025	0661 1000 27	1	Seal washer			1621 6240 08		CHINA	
1030	1621 6423 00	1	Plate			1621 6240 05		DIR	
1035	1621 6425 00	AR	Seal			<b>1621 3229 84</b>	<b>1</b>	<b>Valve base</b>	
1040	0147 1960 58	3	Bolt		3005	1621 3229 01	• 1	Valve base	
1055		4	Cap screw		3010	1202 3739 00	• 1	Membrane	
	0211 1403 03		CE		3015	1202 3740 00	• 1	Clamp	
	0211 1965 15		ASME		3020	1202 3825 00	• 1	Float	
	0211 1403 03		CHINA		3025	0147 1962 65	• 1	Bolt	
	0211 1403 03		DIR		3030	1202 4818 00	• 1	Insert	
1065	0663 2107 31	1	O-ring		3035	1621 3236 00	• 4	Rod	
1100	0686 3716 10	1	Plug		3040	1621 6424 00	• 1	Plate	
1105	0661 1000 32	1	Seal washer		3045	0147 1962 65	• 4	Bolt	
1110	1621 2019 00	1	Water separator		3050	0686 3716 01	• 1	Plug	
1112	1621 6318 00	AR	Seal		3055	0661 1000 25	• 1	Seal washer	
1115	0147 1960 58	8	Bolt		4010		1	Vessel	
1135	0663 2108 58	1	O-ring			1621 6336 02		CE	
1140	0147 1962 33	10	Bolt			1621 6336 02		ASME	
1150	1621 6222 00	1	Support			1621 6336 02		CHINA	
1151	1621 6435 00	1	Bracket			1621 6336 05		DIR	
1152	0147 1363 03	2	Bolt		4015	0147 1962 37	9	Bolt	
1153	0301 2344 00	2	Washer		4100	0147 1960 58	8	Bolt	
1154	0266 2111 00	2	Nut		4105	0101 2274 00	1	Pin	
1155		7	Bolt		4115	1621 9288 00	1	Water separator	
	0147 1477 03		CE		4117	1621 6317 00	AR	Seal	
	0147 1964 51		ASME		4170	0663 2108 66	1	O-ring	
	0147 1477 03		CHINA		4175	1621 6400 00	1	Pipe	
	0147 1477 03		DIR		4180	0663 2107 94	2	O-ring	
	<b>1621 6216 82</b>	<b>1</b>	<b>Vessel</b>		4190	0147 1476 03	4	Bolt	
	<b>1621 6216 82</b>		CE		4195	1621 6331 00	1	Pipe	
	<b>1621 6216 28</b>		ASME		4200		8	Bolt	
	<b>1621 6216 85</b>		CHINA			0147 1478 03		CE	
			DIR			0147 1964 52		ASME	
2005		• 1	Vessel			0147 1964 52		CHINA	
	1621 6216 02		CE			0147 1478 03		DIR	
	1621 6216 02		ASME		4205	0301 2378 00	4	Washer	
	1621 6216 18		CHINA			<b>1613 9370 82</b>	<b>1</b>	<b>Water separator</b>	
	1621 6216 05		DIR		5005	1613 9367 70	• 1	Head	
2010		• 4	Bolt		5010	1613 9370 00	• 1	Head	
	0147 1962 31		CE		5015	0663 6147 00	• 1	O-ring	
	0147 1962 31		ASME		5020	1621 6404 00	• 1	Bowl	
	0147 1402 03		CHINA		5025	1613 9483 06	• 1	Label	
	0147 1402 03		DIR		5055	0686 3716 02	• 1	Plug	
2015		• 1	Cover		5060	0661 1000 27	• 1	Seal washer	
	1621 3330 02		CE		5065	0686 3716 01	• 2	Plug	
	1621 3330 02		ASME		5070	0661 1000 25	• 2	Seal washer	

# 14



63380\_06

## Coolers - Water separator parts - Hot air variant

Ref.	Partnumber	Qty	Name	Remarks	Ref.	Partnumber	Qty	Name	Remarks
1015	0147 1962 37	12	Bolt			0147 1962 31		CE	
	0147 1485 03		ASME			0147 1402 03		CHINA	
	0147 1485 03		CE			0147 1402 03		DIR	
	0147 1485 03		CHINA		2015		• 1	Cover	
	0147 1485 03		DIR			1621 3330 02		ASME	
1020	0686 3716 02	1	Plug			1621 3330 02		CE	
1025	0661 1000 27	1	Seal washer			1621 3059 00		CHINA	
1030	1621 6423 00	1	Plate			1621 3059 00		DIR	
1035	1621 6425 00	AR	Seal		2020	0663 2107 25	• 1	O-ring	
1040	0147 1960 58	3	Bolt		2025		• 1	Cover	
1055		4	Cap screw			1621 6240 02		ASME	
	0211 1965 15		ASME			1621 6240 02		CE	
	0211 1403 03		CE			1621 6240 08		CHINA	
	0211 1403 03		CHINA			1621 6240 05		DIR	
	0211 1403 03		DIR			<b>1621 3229 84</b>	<b>1</b>	<b>Valve base</b>	
1065	0663 2107 31	1	O-ring		3005	1621 3229 01	• 1	Valve base	
1100	0686 3716 10	1	Plug		3010	1202 3739 00	• 1	Membrane	
1105	0661 1000 32	1	Seal washer		3015	1202 3740 00	• 1	Clamp	
1110	1621 2019 00	1	Water separator		3020	1202 3825 00	• 1	Float	
1112	1621 6318 00	AR	Seal		3025	0147 1962 65	• 1	Bolt	
1115	0147 1960 58	8	Bolt		3030	1202 4818 00	• 1	Insert	
1135	0663 2108 58	1	O-ring		3035	1621 3236 00	• 4	Rod	
1140	0147 1962 33	10	Bolt		3040	1621 6424 00	• 1	Plate	
1150	1621 6222 00	1	Support		3045	0147 1962 65	• 4	Bolt	
1151	1621 6435 00	1	Bracket		3050	0686 3716 01	• 1	Plug	
1152	0147 1363 03	2	Bolt		3055	0661 1000 25	• 1	Seal washer	
1153	0301 2344 00	2	Washer		4015			Bolt	
1154	0266 2111 00	2	Nut			0147 1962 37	9	ASME	
1155		7	Bolt			0147 1962 37	10	CE	
	0147 1964 51		ASME			0147 1962 37	9	CHINA	
	0147 1477 03		CE			0147 1962 37	10	DIR	
	0147 1477 03		CHINA		4016		9	Bolt	
	0147 1477 03		DIR			0147 1485 03		ASME	
		<b>1</b>	<b>Vessel</b>		4105	0101 2274 00	1	Pin	
	<b>1621 6216 82</b>		CE		4140	1621 6344 00	1	Pipe	
	<b>1621 6216 82</b>		ASME		4145	0663 7149 00	1	O-ring	
	<b>1621 6216 28</b>		CHINA		4150	0663 2107 33	1	O-ring	
	<b>1621 6216 85</b>		DIR		4170	0663 2108 66	1	O-ring	
2005		• 1	Vessel		4175	1621 6056 00	1	Pipe	
	1621 6216 02		ASME		4180		8	Bolt	
	1621 6216 02		CE			0147 1964 52		ASME	
	1621 6216 18		CHINA			0147 1478 03		CE	
	1621 6216 05		DIR			0147 1964 52		CHINA	
2010		• 4	Bolt			0147 1478 03		DIR	
	0147 1962 31		ASME						