



24004699  
Revision A  
March 2012

## Rotary Screw Air Compressor

M90-160



---

零件手册



敬请保存

 **Ingersoll Rand**

## 目录表

### TABLE OF CONTENTS

安全注意事项	
Safety and Warnings	2-3
引言	
Introduction	4-5
控制器和开关箱总成	
Interllisys Controller & Starter Box Assembly	6
油分离器总成	
Separator Tank Assembly	7-8
主要部件装配图	
Major Component Assembly	9-10
风冷冷却器总成(90&110KW)	
Aircooled Cooler Assembly(90&110KW)	11-12
风冷冷却器总成(132&160 KW)	
Aircooled Cooler Assembly(132&160KW)	13-14
水冷管路总成(90&110KW)	
Watercooled Piping Assembly(90&110KW)	15-16
水冷管路总成(132&160KW)	
Watercooled Piping Assembly(132&160KW)	17-18
进气阀及空滤	
Inlet Valve & Airfilter	19-20
标准隔音罩	
Sheet Metal Assembly(Standard)	21-22
驱动总成(125-200HP/90-160KW)	
Drive Train Assembly	23-24
风冷进气系统装配图	
Aircooled Intake Assembly	25-26
O型圈	
O-Rings	27

## 回转式螺杆式空气压缩机

### ROTARY SCREW AIR COMPRESSOR

#### 这台压缩机购买于:

This unit was purchased from  
英格索兰公司保持对产品进行修改和改进的权利  
、并不另行通知用户;对以前销售的产品不承担  
相应的修改和改进的责任。

Ingersoll-Rand Company reserves the right to make  
changes or add improvements without notice  
and without incurring any obligation to make such  
improvements to products sold previously.

#### 机组编号

No. of units on order: \_\_\_\_\_

#### 用户订单编号

Customer Order No. \_\_\_\_\_

#### 英格索兰公司订单编号

Ingersoll-Rand Co. Order No. \_\_\_\_\_

为了便于参考,请在此记录您的机组的编号和机  
组型号:

For ready reference:

Record the serial number and model of your unit here

#### 机组编号

Serial Number \_\_\_\_\_

#### 机组型号

Model Number \_\_\_\_\_

## 安全和警告

在安装此空压机之前应当化时间仔细阅读本手册中的所有操作说明。

电和压缩空气具有造成严重人身伤害或财产损坏的潜在危险。

在安装、接线、起动、运行或作任何调节之前，请利用本手册作为指南，辨认出空压机的各个部件。

操作者应利用常识和良好的工作习惯来操作和维护本机器，遵守所有法规，用规格足够大的管子，理解起动和停机程序，根据本手册所述的程序检查各安全装置。

维护保养工作应由合格的人员且配备足够的适当工具进行。DANGER(危险)、WARNING(警告)和 CAUTION(告戒)等警戒词用来指出危险的严重程度：

### DANGER(危险)

“危险”用来指出存在如果忽视此警告就会造成严重的人身伤害，乃至死亡或严重财产损坏的危险。

### WARNING(警告)

“警告”用来指出存在如果忽视此警告就可能造成严重的人身伤害，乃至死亡或严重财产损坏的危险。

### CAUTION(告戒)

“告戒”用来指出存在如果忽视此警告就会造成小的人身伤害和财产损坏的危险。

### NOTICE(注意)

“注意”用来引起人们对有关安装，操作或维护的重要，但和危险无关的信息的注意。

## 安全措施

在安装空压缩机或进行任何维护保养之前请仔细阅读这些安全信息。

### 警告：

**压缩空气和电是危险的。**

**在此空压机上进行任何工作之前，确保电源已切断，锁住并挂好标记牌，整个空压机系统已排放所有压力。**

1.当此机器在运行时不得拆除各种盖帽，松开或拆除任何接头或装置，机器中的高温液体和压力空气会造成严重的人身伤害乃至死亡。

2.空压机的电机起动控制箱有高电压危险，一切安装工作都应按公认法规进行，在电气系统上进行工作之前，确保利用手动断开开关能切断系统电压，在导入空压机的电源供给线路中必须配备断路器或熔断器开关。负责本设备安装的人必须根据 NEC 的规定为所有电气部件提供适当的接地，维护空间和避雷装置。

3.不得在高于空压机铭牌所规定的排气压力下运行空压机，否则会产生电机过载，这种情况会引起空压机电机停电。

4.只能使用安全的溶剂来清洁空压机和辅助设备。

5.在排气管中应安装手动截止阀(隔断型)，如果在截止阀和空压机之间装有安全阀，该安全阀必须有足够的能力来释放空压机的最大连续供气流量。

6.一旦有压力通过安全阀释放，这是由于系统内压力过高，必须立即查明造成压力过高的原因。

7.在本空压机上进行任何机械工作之前：

关闭空压机；

利用手动断开开关将供电线路隔断，锁止并挂好标记牌，使机器无法运行；

释放空压机内压力，将机器与任何其它气源隔断。

8.如果空压机润滑油进入工厂空气系统会有不利影响。经正确选用并安装好的油分离器可将空气中任何液态携带物降至最低限度。管路过滤器上使用不带金属罩的塑料壳体可能有危险，从安全观点来看，在任何压力系统上都应使用金属壳体。为此，建议你对工厂气路系统再检查一遍。

9.如果装有贮气罐，应在安装和维护此气罐时遵照中华人民共和国劳动部颁发的“压力容器监察规程”中的规定。

10.起动空压机之前应仔细阅读本维护保养说明书并透彻理解之。

11.维护保养工作完成后，必须把各种盖板和罩壳重新安装好。

# SAFETY AND WARNINGS

Before you install this air compressor you should take the time to carefully read all the instructions contained in the operators manual form APDD-738. Operators manuals may be obtained from your local Ingersoll-Rand Distributor or Air Center.

Electricity and compressed air have the potential to cause severe personal injury or property damage.

Before installing, wiring, starting, operating or making any adjustments, identify the components of the air compressor using the operators manual as a guide.

The operator should use common sense and good working practices while operating and maintaining this unit. Follow all codes, pipe adequately, understand the starting and stopping sequence. Check the safety devices by following the procedure contained in this operators manual.

Maintenance should be done by qualified personnel, adequately equipped with proper tools. Follow the maintenance schedules as outlined in the operators manual to ensure problem free operation after start up.

Safety instructions in the operators manual are bold-faced for emphasis. The signal words DANGER, WARNING and CAUTION are used to indicate hazard seriousness levels as follows:



**DANGER** is used to indicate the presence of a hazard which *will cause severe personal injury, death, or substantial property damage if the warning is ignored.*



**WARNING** is used to indicate the presence of a hazard which *can cause severe personal injury, death, or substantial property damage if the warning is ignored.*



**CAUTION** is used to indicate the presence of a hazard which *will or can cause minor personal injury or property damage if the warning is ignored.*

**NOTICE**

**NOTICE** is used to notify people of installation, operation, or maintenance information which is important but not hazard-related.

## SAFETY PRECAUTIONS

### BEFORE PROCEEDING, READ CAREFULLY BEFORE INSTALLING THE COMPRESSOR OR PERFORMING ANY MAINTENANCE

#### WARNING

COMPRESSED AIR AND ELECTRICITY ARE DANGEROUS.

BEFORE DOING ANY WORK ON THIS UNIT, BE SURE THE ELECTRICAL SUPPLY HAS BEEN CUT OFF-LOCKED & TAGGED AND THE ENTIRE COMPRESSOR SYSTEM HAS BEEN VENTED OF ALL PRESSURE.

1. Do not remove the covers, loosen or remove any fittings, connections or devices when this unit is in operation. Hot liquid and air under pressure that are contained within this unit can cause severe injury or death.

2. The compressor has high and dangerous voltage in the motor starter and control box. All installations must be in accordance with recognized electrical codes. Before working on the electrical system, be sure to remove voltage from the system by use of a manual-disconnect-switch. A circuit breaker or fuse safety switch must be provided in the electrical supply line leading to the compressor.

Those responsible for installation of this equipment must provide suitable grounds, maintenance clearance and lightning arrestors for all electrical components as stipulated in O.S.H.A. 1910.308 through 1910.329.

3. Do not operate the compressor at higher discharge pressure than those specified on the Compressor Nameplate or motor overload will occur. This condition will result in compressor motor shutdown.

4. Use only safety solvent for cleaning the compressor and auxiliary equipment.

5. Install a manual shut off valve (isolation type) in the discharge line. A pressure relief valve, with sufficient capacity to relieve full compressor capacity, must be installed between the compressor and the isolation valve.

6. Whenever pressure is released through the pressure relief valve, it is due to excessive pressure in the system. The cause for the excessive pressure should be investigated immediately.

7. Before doing any mechanical work on the compressor:

a.) Shut the unit down.

b.) Electrically isolate the compressor by use of the manual disconnect switch in the power line to the unit. Lock and tag the switch so that it cannot be operated.

c.) Vent pressure from the compressor and isolate the unit from any other source of air.

8. Air line separators, properly selected and installed, will minimize any liquid carry-over.

The use of plastic bowls on line filters without metal guards can be hazardous. From a safety standpoint, metal bowls should be used on any pressurized system. Review of your plant air line system is recommended.

9. When a receiver is installed, it is recommended that occupational safety and health standards as covered in the Federal Register, Volume 36, number 105, part 11, paragraph 1910.169 be adhered to in the installation and maintenance of this receiver.

10. Before starting the compressor, its maintenance instructions should be thoroughly read and understood.

11. After maintenance functions are completed, covers and guards must be replaced.

## 引言

### 概述

这本零件手册以图解方式编制，供用户向本公司订购零件和了解本公司固定式产品作参考。本手册中图解列出的所有零件其制造质量均与机组原装零件的质量一致。

英格索兰服务机构和备件服务遍布全球。在中国主要城市设有本公司的分支机构和授权代理商。购买本公司生产的固定式压缩机零部件时，请参照本手册的说明，同本公司分支机构和授权代理商接洽联系。

### 说明

本手册的零件图图解了我公司固定式压缩机的各种系统部件，组件和零件。这一组零件图清楚地表明了每个零件以及它与图中其它相邻零件之间的位置。在每个零件图里，每个零件都有一个序号，一个八位数组成的零件号，零件名称和每个组件所需该零件的数量。

### 设备选项

对于特殊应用场合，本公司可提供压缩机后处理设备，方便用户选用。这些后处理设备经精心选择，特别适合本公司生产的压缩机。

请与本公司的销售人员接洽联系，获取有关这些设备选项的详细内容。

### 如何使用本零件手册

- 1.参考目录，找出所需章节。
- 2.翻到所需章节，并参照零件图的目录，找到该零件所属系统的所在页。
- 3.辨别出该零件在图上的位置，找出其序号，零件号和名称。

### 如何订购零件

在订购零件时，请详细写明下列内容以免有误：

- 1.压缩机铭牌上的机组型号
- 2.压缩机铭牌上的机组编号
- 3.本手册页面上的零件号
- 4.零件序号，零件号，零件名称和所需的正确数量。
- 5.电机铭牌上的电机规范参数。

# PARTS LIST

## INTRODUCTION

### GENERAL

This manual, which contains an illustrated parts breakdown, has been prepared as an aid in identifying and ordering parts in the SSR compressor. All of the compressor parts listed in the parts breakdown, are manufactured with the same precision as the original equipment.

Ingersoll-Rand Company service facilities and parts are available worldwide. There are Shanghai Ingersoll-Rand Company Branch Offices and authorized distributors located in the principle cities of China.

To purchase spare parts refer to section of "How to order parts" and contact to Shanghai Ingersoll-Rand Company Branch Offices and authorized distributors near your place.

### DESCRIPTION

The illustrated parts breakdown illustrates the various assemblies, sub-assemblies and detailed parts which make up this particular SSR compressor. A series of illustrations show each part clearly and in it's correct location relative to the other parts in the illustration. Each part on an illustration is referenced with a number. The number, description and quantity needed per assembly is listed in numerical order on the following pages.

### OPTIONAL EQUIPMENT

Several optional accessories items are available for convenience or special application. These accessories have been selected as being particularly suitable for use on the SSR compressor.

For complete details on Optional Equipment, contact your Sales Representative.

### HOW TO USE THIS PARTS MANUAL

1. Turn to the Parts Section to locate the desired illustrations.
2. Locate the part on the illustration by visual identification and the reference number.
3. Find the referenced number on the Tabulated page, along with the Part Number and Description.

### HOW TO ORDER PARTS

In order that all avoidable errors be eliminated when ordering parts, please specify the following:

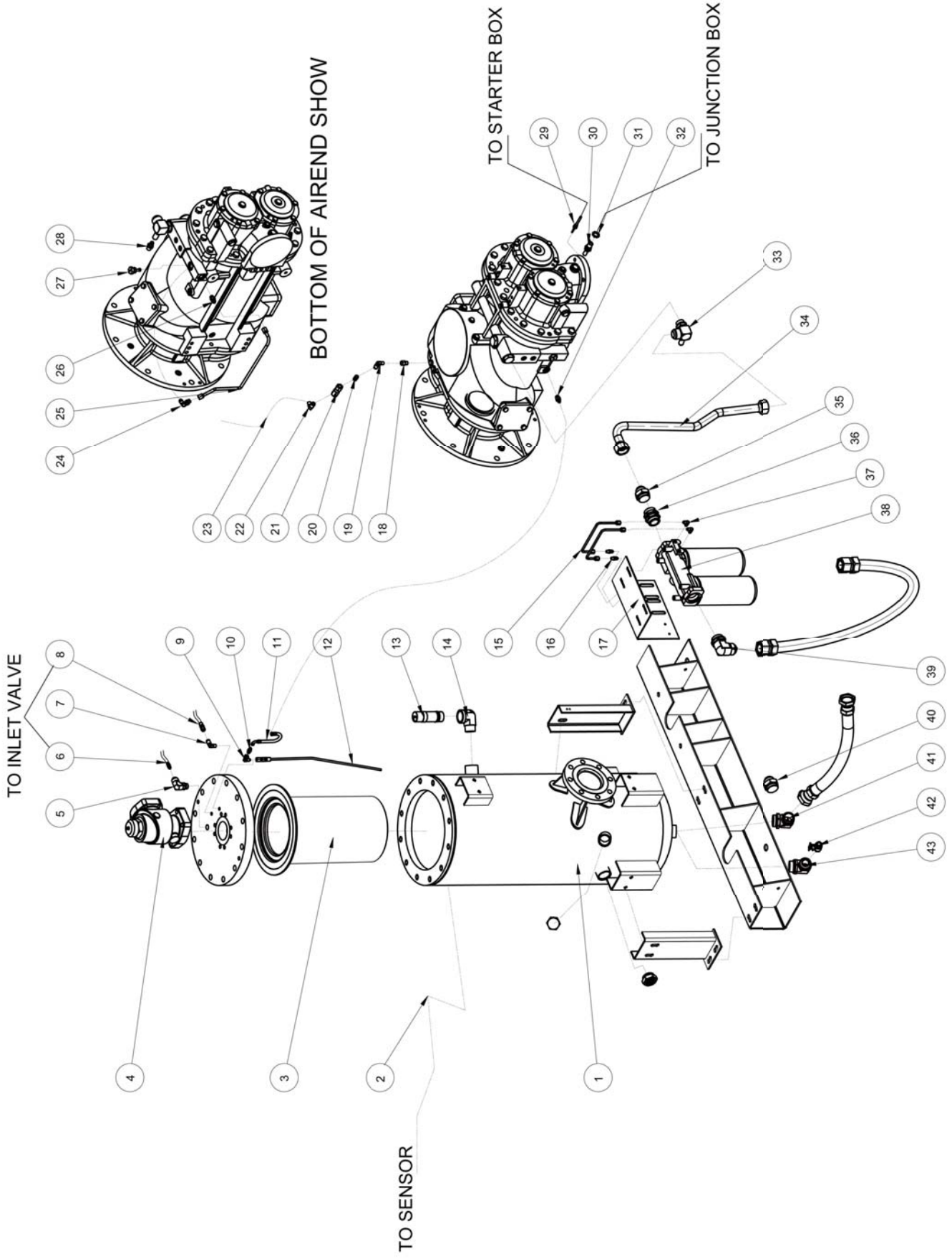
1. The model number of the unit as shown on the Compressor Data Plate.
2. The serial number of the unit as shown on the Compressor Data Plate.
3. The form number of this manual.
4. The reference number, part number, description and quantity need-ed exactly as listed.
5. The motor data code shown on the motor data plate.

# 电 控 箱

## CONTROL STARTER BOX

序号 REF. NO.	零件号 PART NUMBER	数量	名称 DESCRIPTION
1	24000663	1	控制箱体 STATER BOX (132-160KW)
	24000655	1	控制箱体 STATER BOX (90-110KW)
2	99283665	1	风扇开关风冷 SWITCH, FAN A/C
	99285454	1	风扇开关水冷 SWITCH, FAN W/C
3	99283673	1	辅助触点 AUXILIARY CONTACTS, A/C
	99288912	1	辅助触点 AUXILIARY CONTACTS, W/C





VIEWED FROM FRONT  
6



# 油分离器系统

## SEPARATOR TANK ASSEMBLY

序号	零件号	数量	名称	序号	零件号	数量	名称
REF. NO.	PART NUMBER	QTY.	DESCRIPTION	REF. NO.	PART NUMBER	QTY.	DESCRIPTION
1	42424739	1	分离器 TANK, SEPARATOR (ASME/CANADIAN)		39925060	1	节流螺栓 ORIFICE, INJECTION 17MM (ML90/MH132)
	42424598	1	分离器 TANK, SEPARATOR (AUSTRALIAN)		54757711	1	节流螺栓 ORIFICE, INJECTION 18MM (MM90/MM90/MH110)
	99277998	1	分离器 (中国GB标准) TANK, SEPARATOR (CHINESE CODE)	26A	95021754	1	O型圈 O-RING
2	39155478	1	直角接头 ELBOW	27	42862904	1	堵头 PLUG
	39124813	X	尼龙管 TUBING, NYLON	28	42862904	1	堵头 PLUG
3	54509427	1	分离器阀芯 ELEMENT, SEPARATOR	29	23912264	1	温度传感器 SENSOR, TEMPERATURE THERMISTOR
4	99289860	1	最小压力阀 VALVE, MINIMUM PRESSURE	30	39419668	1	温度开关 SWITCH, TEMPERATURE 245° F
	95022372	1	O型圈 O-RING	30A	39404165	1	O型圈 O-RING
4A	39179403	4	螺栓 STUD	31	39114079	1	止退螺母 CONDUIT, LOCKNUT
4B	95922910	4	螺母 NUT	32	39916648	1	可调直角接头 ELBOW
5	39476748	1	可调直角接头 ELBOW	33	85501850	1	管总成 TUBE, OIL FEED
6	85560431	1	管总成 TUBE, BLOWDOWN	34	39916911	1	直接头 CONNECTOR
7	39255478	1	快插直角接头 ELBOW	35	39479944	1	接头 ADAPTER (OIL FILTER TO OIL STOP VALVE)
8	39137518	1	尼龙管 TUBING, SYNDFLEX	36	95981346	1	接头 CONNECTOR
9	95938049	1	快插直角接头 ELBOW	37	95937686	2	直角接头 ELBOW, 90° (FILTER DELTAP)
10	39303284	1	小孔接头 ORIFICE (0.070)	38	39259676	1	油过滤器 FILTER, OIL
11	19039205	1	二次回油管 TUNE, SCAVENGE	39	95962304	1	可调直角接头 ZELBOW
12	54619960	1	回油管 TUNE, SCAVENGE	40	99274599	1	堵头 PLUG
13	99300600	1	安全阀 VALVE, SAFETY 7Bar	41	42848994	1	可调45° 接头 ELBOW, 45° -SUMP TANK OUT
	99300618	1	安全阀 VALVE, SAFETY 8Bar	42	39015739	1	球阀 VALVE, BALL-TANK DRAIN
	99300626	1	安全阀 VALVE, SAFETY 11Bar	42A	98378361	1	塞 PLUG
14	95944104	1	直角接头 ELBOW, 90° -SAFETY VALVE	43	39477526	1	可调直角接头 ELBOW, 90° -IN TANK DRAIN
15	39545942	2	管总成 TUBE, OIL DELTAP				
16	95937579	2	接头 ADAPTER				
17	39798004	1	油过滤器支架 SUPPORT, OIL FILTER				
17A	39128509	2	螺栓 SCREW (BRACKET TO TANK)		39476916	1	油窥镜 SIGHT GLASS
18	39106240	1	过渡接头 EXPANDER		39406996	1	O型圈 O-RING (SIGHT GLASS)
19	95944666	1	可调直角接头 ELBOW		39478953	1	塞 PLUG, OIL FILL
20	95323911	1	接头 NIPPLE, EXTRA STRING .25NPT X .88LONG				
21	54482484	1	阀 VALVE, INLINE CHECK				
22	39155478	1	可调直角接头 ELBOW				
23	39137518	1	尼龙管 TUBING, SYNDFLEX				
24	95978235	1	直角接头 ELBOW				
25	39911284	1	管总成 TUBE, FRONT BRG HOUSING				
26	39925045	1	节流螺栓 ORIFICE, INJECTION 11.5MM (ML160/MM160)				
	39330626	1	节流螺栓 ORIFICE, INJECTION 14MM (ML110/MM110/ML132/MM132/MH160)				

供应商提供

附加 放在控制项内的备件

ITEMS TO PLACED IN STARTER BOX

39137542 接头 ADAPTER

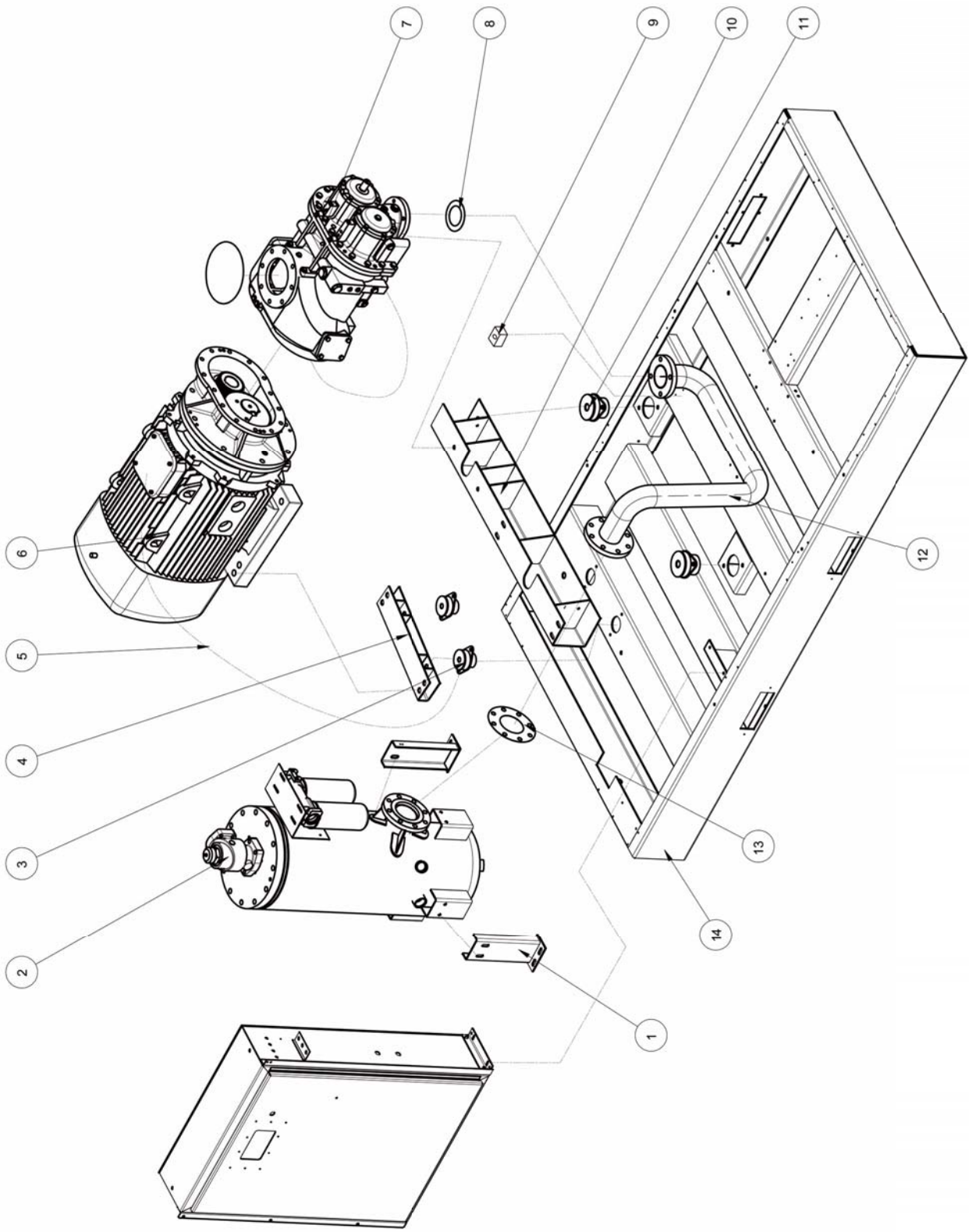
95220844 夹箍 CLAMP, HOSE

39137518 尼龙管 TUBING, SYNDFLEX

NOTE: STANDARD FASTENERS SUCH AS NUTS, BOLTS AND SCREWS ARE LISTED AS SUB-ITEMS (EXAMPLE: 13A).

X. ORDER PER NUMBER OF INCHES REQUIRED.

XX. CONTACT FACTORY FOR PART NUMBER.



VIEWED FROM FRONT

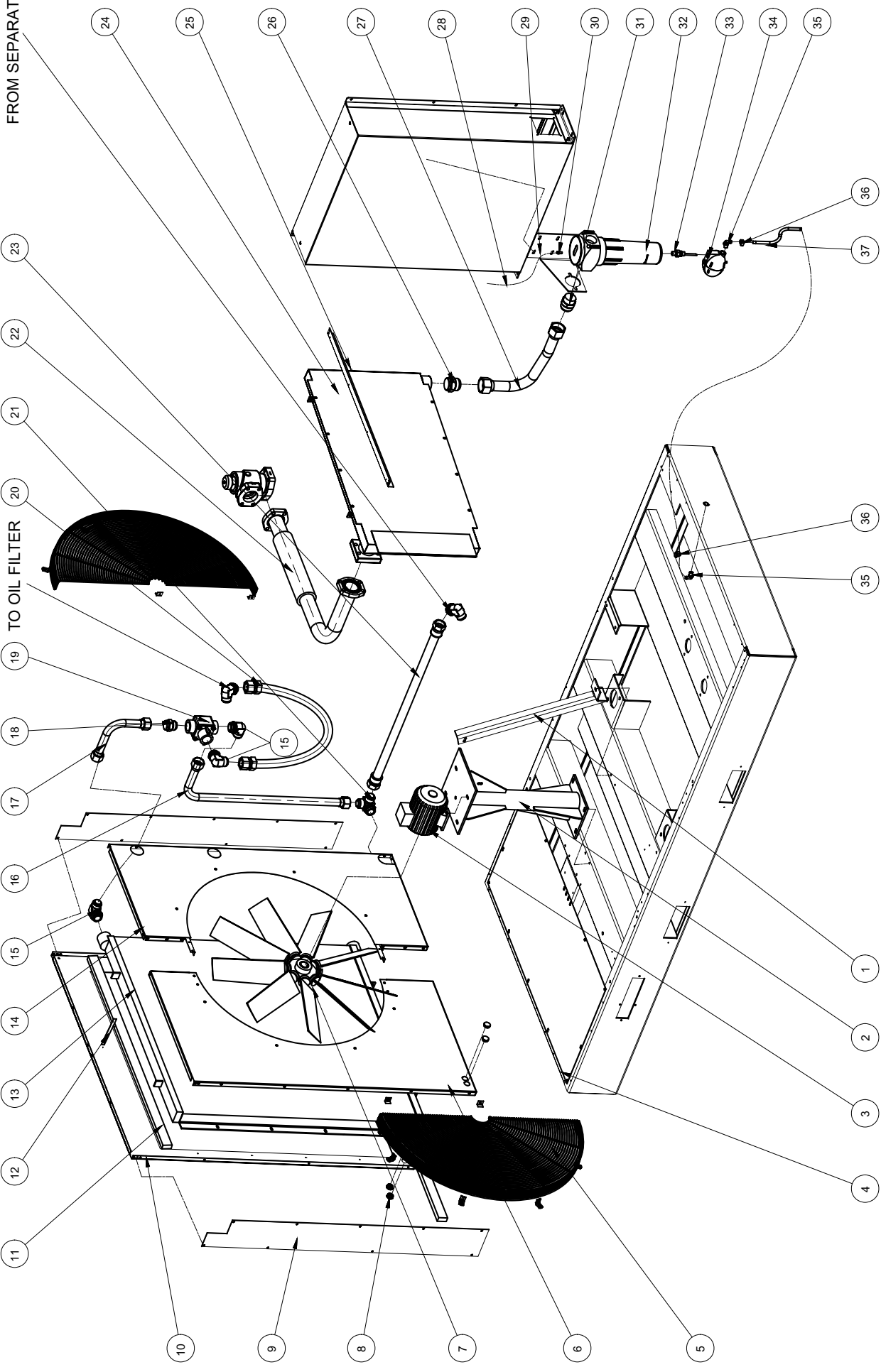
# 主要部件装配图

## MAJOR COMPONENTS ASSEMBLY

序号	零件号	数量	名称	序号	零件号	数量	名称
REF.	PART NUMBER	QTY.	DESCRIPTION	REF. NO.	PART NUMBER	QTY.	DESCRIPTION
1	85542942	2	分离器支架 LEG, TANK	12	24077729	1	排气管 PIPE, DISCHARGE (TANK TO AIREND)
1A	95929089	4	螺栓 BOLT, LEG TO BASE	12A	95934501	4	螺栓 BOLT, MOUNT TO BASE
1B	95947651	8	垫圈 WASHER, FLAT		95923355	4	螺母 NUT
1C	95923355	4	螺母 NUT	12B	95934470	8	螺栓 BOLT, TANK PIPE TO TANK
2	-----	1	分离器组件 TANK, ASSEMBLY		95923355	8	螺母 NUT
3	39476882	2	减震器 MOUNT, ISOLATION MOTOR	13	39452362	1	垫 GASKET, PIPE TOTANK
3A	95929139	2	螺栓 BOLT, SUPPORT TO MOUNT	14	39843347	1	底座 BASE, STANDARD
3B	95923363	2	螺母 NUT				
3C	39178686	4	螺栓 SCREW, MOUNT TO BASE				
4	85542835	1	电机支架 SUPPORT, MOTOR 315 FRAME				
	85542736	1	电机支架 SUPPORT, MOTOR 440 FRAME				
	85542728	1	电机支架 SUPPORT, MOTOR				
5	39489860	1	接地线 GROUND STRAP				
6	-----	1	驱动组件 DRIVE ASSEMBLY				
6A	95935201	2	螺栓 BOLT, MOTOR TO SUPPORT (90-110KW)				
	95929139	2	螺栓 BOLT, MOTOR TO SUPPORT (132-160KW)				
6B	95923363	2	螺母 NUT				
7	-----	1	主机组件 AIREND ASSEMBLY				
7A	39179080	2	螺栓 SCREW, HEX HEAD M16X30.0 LONG				
7B	95929188	2	垫圈 WASHER, KOCK HELICAL SPRING 0.63				
8	39454533	1	垫 GASKET, AIREND TO PIPE				
9	39146663	1	分线盒 JUNCTION BOX, CONDUIT ASSEMBLY				
9A	39206271	2	螺栓 SCREW, JUNCTION BOX				
9B	39146691	1	盒盖 BOX COVER, WEATHERPROOF				
10	85542744	1	主机支架 SUPPORT, AIREND				
11	39477096	2	减震器 MOUNT, ISOLATION AIREND				
11A	95984233	2	螺栓 BOLT, SUPPORT TO MOUNT				
11B	95923306	2	螺母 NUT				
11C	39179080	2	螺栓 BOLT, MOTOR TO SUPPORT				

NOTE:  
STANDARD FASTENERS SUCH AS NUTS AND WASHERS ARE LISTED AS SUB-ITEMS(EXAMPLE:2A).

FROM SEPARATOR TANK



TO OIL FILTER

VIEWED FROM BACK  
10

# 风 冷 却 系 统

## AIRCOOLED COOLER ASSEMBLY (90-110 KW)

序号	零件号	数量	名称	零件号	数量	名称
REF. NO.	PART NUMBER	QTY.	DESCRIPTION	PART NUMBER	QTY.	DESCRIPTION
1	85543163	1	风扇支架 BRACE, FAN MTR SUPPORT	54365945	1	后冷却器 AFTERCOOLER
1A	39128483	1	螺栓 BOLT	39133152	8	螺栓 SCREW
1B	39128566	1	螺母 NUT	95929071	8	垫圈 WASHER
1C	39178678	1	螺栓 SCREW	42862904	1	塞 PLUG
2	85542975	1	风扇电机支架 SUPPORT, FAN MOTOR	39404157	1	O型圈 O-RING
2A	39178678	4	螺栓 BOLT	39128632	1	直接头 CONNECTOR
3	19012426	1	风扇电机 MOTOR, FAN	19041144	1	管总成 TUBE-AFTERCOOLER TO MOISTURE SEPARATOR (国内)
3A	39119573	4	螺栓 BOLT	54370564	1	管总成 TUBE-AFTERCOOLER TO MOISTURE SEPARATOR (国内)
3B	39128566	4	螺母 NUT	24047409	1	安全阀 SAFETY VALVE, 8Bar (国内机组)
4	85542249	1	排气底板 PLATE, BOTTOM EXHAUST	24047417	1	安全阀 SAFETY VALVE, 9Bar (国内机组)
4A	39133145	11	螺栓 SCREW	23100316	1	安全阀 SAFETY VALVE, 11Bar (国内机组)
5	54634894	2	风扇网罩 GUARD, FAN	39124813	X	尼龙管 TUBING, NYLON
5A	39133152	12	螺栓 SCREW	85543155	1	水分分离器支架 BRACKET, MOISTURE SEPARATOR
5B	95929071	12	垫圈 WASHER	39128566	4	螺母 NUT
6	85543239	1	风扇孔板 (左) ORIFICE, FAN LEFT	95920674	4	螺栓 SCREW
6A	39133145	12	螺栓 SCREW	92304617	4	螺栓 WASHER, PLAT
7	39923628	1	风扇 FAN WITH TAPER BUSHING & HUB, 60HZ	39156393	1	快插直角接头 CONNECTOR
8	39911649	1	风扇 FAN WITH TAPER BUSHING & HUB, 50HZ	39479050	1	直接头 CONNECTOR
9	39919728	4	塑料塞 PLUG, NYLON BLACK	22309272	1	水分分离器 BRACKET, MOISTURE
9A	85542066	2	冷却箱侧板 SIDES, COOLER BOX	95920674	2	螺栓 SCREW
10	85542231	1	油冷却器支架 SUPPORT, OIL COOLER	39128566	2	螺母 NUT
10A	39133145	4	螺栓 SCREW	95948766	1	连接件 ADAPTER, DRAIN TRAP VENT
11	54624622	2	泡沫吸音板 FOAM (BETW, OILCOOLER AND SUPPORT-TOP AND BOTTOM)	95902045	1	疏水阀 TRAP, CONDENSATE
12	85542082	1	孔板支架 BRACE, ORIFICE	39137526	2	塔式接头 ELBOW
12A	39133145	3	螺栓 SCREW	95220844	1	头箍 CLAMP
13	39929394	1	油冷却器 COOLER, OIL (90-110KW)	39137518	24	软管 HOSE, MOISTURE SEPARATOR DRAIN
13A	39133152	8	螺栓 SCREW	<b>机组不带后冷却器 UNIT WITHOUT AFTERCOOLER</b>		
13B	95929071	8	垫圈 WASHER	39878343	1	排气管 PIPE, DISCHARGE MPV-OUT
14	85543247	1	风扇孔板 (右) ORIFICE, FAN RIGHT	95934154	4	螺栓 BOLT, PIPE TO MPV
14A	39133145	16	螺栓 SCREW	95929188	4	垫圈 WASHER
15	95962304	3	可调直角接头 ELBOW	95022349	1	O型圈 O-RING
16	39545843	1	管总成 TUBE, OIL COOLER IN-THERMO VALVE	39546775	1	管支架 SUPPORT, PIPE
17	39479209	1	管总成 TUBE, OIL COOLER OUT-THERMO VALVE	39133152	2	螺栓 SCREW
18	39128624	1	直接头 CONNECTOR	39128541	2	螺母 NUT
19	39478193	1	温控阀 VALVE, THERMO	95481800	1	U型螺栓 U-BOLT
19A	39437645	1	温控阀阀芯 ELEMENT, THERMO VALVE	39116348	2	螺母 NUT
19B	39412127	1	O型圈 O-RING, BODY	<b>机组带后冷却器 UNIT WITH AFTERCOOLER</b>		
19C	95022257	1	O型圈 O-RING, ELEMENT	39878319	1	排气管 PIPE, DISCHARGE MPV-AFTERCOOLER
20	85562593	1	软管 HOSE, THERMO VALVE-FILTER	95934154	4	螺栓 BOLT
21	39476353	1	三通 TEE, SIDE OUTLET	95929188	4	垫圈 WASHER
23	85542544	1	软管 HOSE, SEPARATOR TANK-OIL COOLER (PORT "IN")	95022349	2	O型圈 O-RING
				95934154	4	螺栓 BOLT, TUBE TO AFTERCOOLER
				95934741	4	垫圈 WASHER

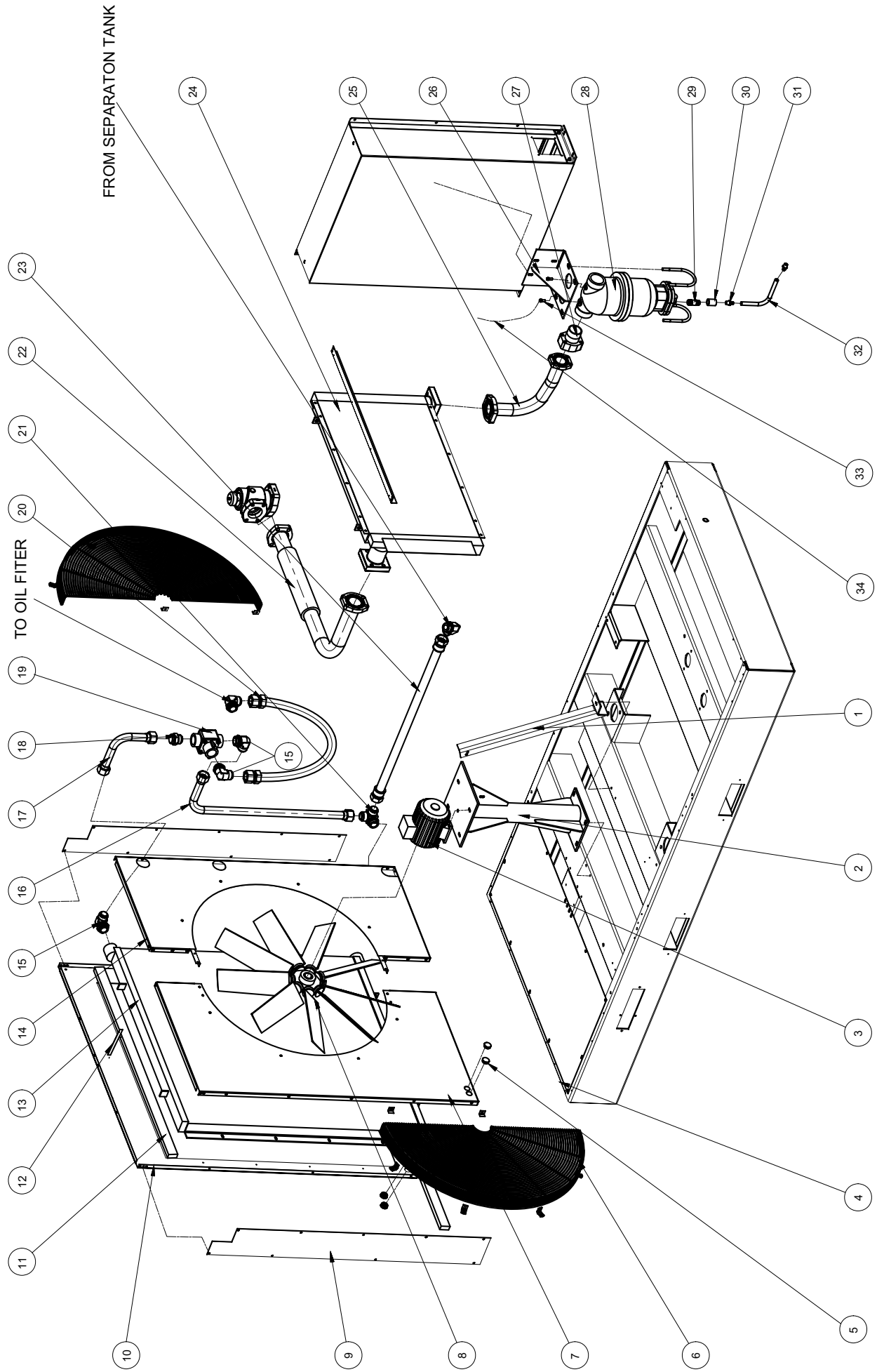
NOTE: STANDARD FASTENERS SUCH AS NUTS AND WASHERS ARE LISTED AS SUB-ITEMS (EXAMPLE:2A).

# 风 冷 却 系 统

## AIRCOOLED COOLER ASSEMBLY (200 HP/132 & 160 KW)

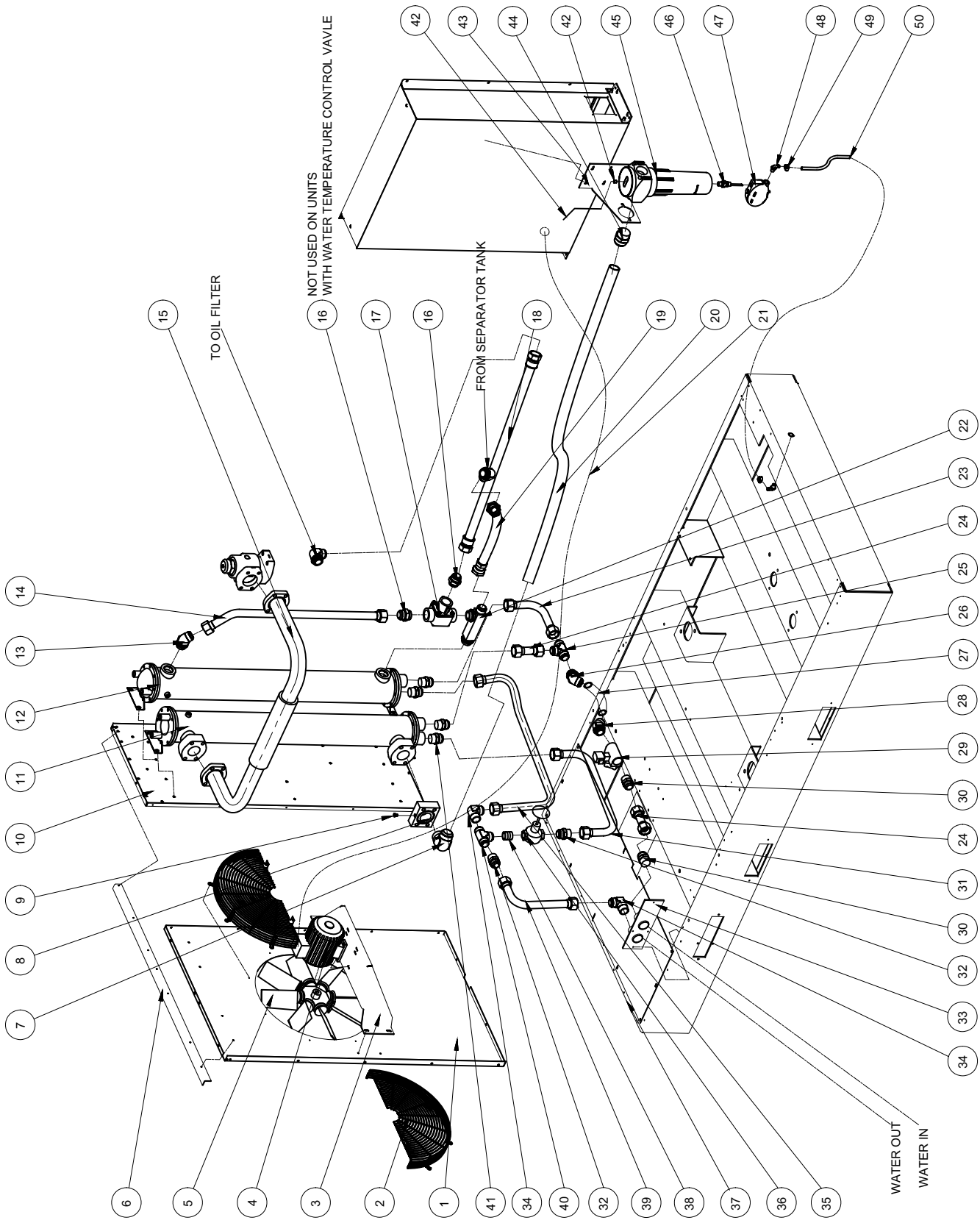
序号	零件号	数量	名称	DESCRIPTION	QTY.	数量	零件号	名称	DESCRIPTION	QTY.
REF. NO.	PART NUMBER						PART NUMBER			
1	39925920	1	风扇支架 BRACE, FAN MTR SUPPORT	FAN MTR SUPPORT	1	24B	95929071	垫圈 WASHER	垫圈 WASHER	8
1A	39128483	1	螺栓 BOLT	螺栓 BOLT	1	25	39545175	排气弯管 TUBE, DISCHARGE (国外)	排气弯管 TUBE, DISCHARGE (国外)	1
1B	39128566	1	螺母 NUT	螺母 NUT	1		19041151	排气弯管 TUBE, DISCHARGE (国内)	排气弯管 TUBE, DISCHARGE (国内)	1
1C	39178678	1	螺栓 SCREW	螺栓 SCREW	1	25A	24047409	安全阀 SAFETY VALVE, 8Bar (国内机组)	安全阀 SAFETY VALVE, 8Bar (国内机组)	1
2	39885397	1	风扇电机支架 SUPPORT, FAN MOTOR	SUPPORT, FAN MOTOR	1		24047417	安全阀 SAFETY VALVE, 9Bar (国内机组)	安全阀 SAFETY VALVE, 9Bar (国内机组)	1
2A	39178678	4	螺栓 BOLT	螺栓 BOLT	4		23100316	安全阀 SAFETY VALVE, 11Bar (国内机组)	安全阀 SAFETY VALVE, 11Bar (国内机组)	1
3	(19012426)X	1	风扇电机 MOTOR, FAN	FAN MOTOR, FAN	1	25B	95934154	螺栓 BOLT, AFTERCOOLER DISCHARGE	螺栓 BOLT, AFTERCOOLER DISCHARGE	4
3A	39110309	4	螺栓 BOLT	螺栓 BOLT	4	25C	95934741	垫圈 WASHER	垫圈 WASHER	4
3B	39128566	4	螺母 NUT	螺母 NUT	4	25D	95022349	O型圈 O-RING	O型圈 O-RING	1
4	39798525	1	排气底板 PLATE, BOTTOM EXHAUST	排气底板 PLATE, BOTTOM EXHAUST	1	25E	95943163	螺栓 BOLT, SEPARATOR INLET	螺栓 BOLT, SEPARATOR INLET	4
4A	39133145	11	螺栓 SCREW	螺栓 SCREW	11	25F	95934733	垫圈 WASHER	垫圈 WASHER	4
5	39319728	4	塑料塞 PLUG, NYLON BLACK	塑料塞 PLUG, NYLON BLACK	4	25G	95028502	O型圈 O-RING	O型圈 O-RING	1
6	54634894	2	风扇网罩 GUARD, FAN	风扇网罩 GUARD, FAN	2	26	39798343	水分分离器支架 BRACKET, MOISTURE SEPARATOR	水分分离器支架 BRACKET, MOISTURE SEPARATOR	1
6A	39133152	18	螺栓 SCREW	螺栓 SCREW	18	26A	39128566	螺母 NUT	螺母 NUT	4
6B	95929071	18	垫圈 WASHER	垫圈 WASHER	18	27	39479050	接头 ADAPTER, SEPARATOR IN	接头 ADAPTER, SEPARATOR IN	1
7	54367396	1	风扇孔板 (左) ORIFICE, FAN LEFT	风扇孔板 (左) ORIFICE, FAN LEFT	1	28	39900394	水分分离器 BRACKET, MOISTURE	水分分离器 BRACKET, MOISTURE	1
7A	39133145	12	螺栓 SCREW	螺栓 SCREW	12	28A	39483789	U型螺栓 U-BOLT	U型螺栓 U-BOLT	2
8	39923628	1	风扇 FAN WITH TAPER BUSHING & HUB, 60HZ	FAN WITH TAPER BUSHING & HUB, 60HZ	1	28B	39116348	螺母 NUT	螺母 NUT	4
9	39480173	2	冷却箱侧板 SIDES, COOLER BOX	FAN WITH TAPER BUSHING & HUB, 50HZ	1	29	95948766	内接头 NIPPLE	内接头 NIPPLE	1
9A	39133145	18	螺栓 SCREW	螺栓 SCREW	18	30	95902045	外接头 COUPLING	外接头 COUPLING	1
10	39798491	1	油冷却器支架 SUPPORT, OIL COOLER	油冷却器支架 SUPPORT, OIL COOLER	1	31	39137526	塔式接头 ELBOW	塔式接头 ELBOW	2
10A	39133145	4	螺栓 SCREW	螺栓 SCREW	4	32	39137518	软管 HOSE, MOISTURE SEPARATOR DRAIN	软管 HOSE, MOISTURE SEPARATOR DRAIN	12
11	54624622	2	泡沫吸音板 FOAM (BETW, OILCOOLER AND SUPPORT-TOP AND BOTTOM)	泡沫吸音板 FOAM (BETW, OILCOOLER AND SUPPORT-TOP AND BOTTOM)	2	33	95928230	塞 PLUG	塞 PLUG	2
12	39494133	1	孔板支架 BRACE, ORIFICE	孔板支架 BRACE, ORIFICE	1	33A	39156435	快插直角接头 CONNECTOR	快插直角接头 CONNECTOR	1
12A	39133145	3	螺栓 SCREW	螺栓 SCREW	3	34	39124813	尼龙管 TUBING, NYLON	尼龙管 TUBING, NYLON	X
13	39924048	1	油冷却器 COOLER, OIL	油冷却器 COOLER, OIL	1	<b>UNIT WITHOUT AFTERCOOLER</b>				
13A	39133152	8	螺栓 SCREW	螺栓 SCREW	8	22	39878343	排气管 PIPE, DISCHARGE MPV-OUT	排气管 PIPE, DISCHARGE MPV-OUT	1
13B	95929071	8	垫圈 WASHER	垫圈 WASHER	8	22A	95934154	螺栓 BOLT, PIPE TO MPV	螺栓 BOLT, PIPE TO MPV	4
14	54367404	1	风扇孔板 (右) ORIFICE, FAN RIGHT	风扇孔板 (右) ORIFICE, FAN RIGHT	1	22B	95929188	垫圈 WASHER	垫圈 WASHER	4
14A	39133145	16	螺栓 SCREW	螺栓 SCREW	16	22C	95022349	O型圈 O-RING	O型圈 O-RING	1
15	95962304	3	可调直角接头 ELBOW	可调直角接头 ELBOW	3	22D	95028502	O型圈 O-RING	O型圈 O-RING	1
16	39545843	1	管总成 TUBE, OIL COOLER IN-THERMO VALVE	管总成 TUBE, OIL COOLER IN-THERMO VALVE	1	22E	39546775	管支架 SUPPORT, PIPE	管支架 SUPPORT, PIPE	1
17	39479209	1	管总成 TUBE, OIL COOLER OUT-THERMO VALVE	管总成 TUBE, OIL COOLER OUT-THERMO VALVE	1	22F	39133152	螺栓 SCREW	螺栓 SCREW	2
18	39128624	1	直接头 CONNECTOR	直接头 CONNECTOR	1	22G	39128541	螺母 NUT	螺母 NUT	2
19	39478193	1	温控阀 VALVE, THERMO	温控阀 VALVE, THERMO	1	22H	95481800	U型螺栓 U-BOLT	U型螺栓 U-BOLT	1
19A	39437645	1	温控阀阀芯 ELEMENT, THERMO VALVE	温控阀阀芯 ELEMENT, THERMO VALVE	1	<b>UNIT WITH AFTERCOOLER</b>				
19B	39412127	1	O型圈 O-RING, BODY	O型圈 O-RING, BODY	1	22	151989989	排气管 PIPE, DISCHARGE MPV-AFTERCOOLER	排气管 PIPE, DISCHARGE MPV-AFTERCOOLER	1
19C	95022257	1	O型圈 O-RING, ELEMENT	O型圈 O-RING, ELEMENT	1	22A	208045824	螺栓 BOLT	螺栓 BOLT	4
20	39572482	1	软管 HOSE, THERMO VALVE-FILTER	软管 HOSE, THERMO VALVE-FILTER	1	22B	95929190	垫圈 WASHER	垫圈 WASHER	4
21	39476353	1	三通 TEE, SIDE OUTLET	三通 TEE, SIDE OUTLET	1	22C	95022351	O型圈 O-RING	O型圈 O-RING	2
23	39572441	1	软管 HOSE, SEPARATOR TANK-OIL COOLER (PORT "IN")	软管 HOSE, SEPARATOR TANK-OIL COOLER (PORT "IN")	1	22D	95934156	螺栓 BOLT, TUBE TO AFTERCOOLER	螺栓 BOLT, TUBE TO AFTERCOOLER	4
24	39924055	1	后冷却器 AFTERCOOLER	后冷却器 AFTERCOOLER	1	22E	95934743	垫圈 WASHER	垫圈 WASHER	4
24A	39133152	8	螺栓 SCREW	螺栓 SCREW	8					

NOTE: STANDARD FASTENERS SUCH AS NUTS AND WASHERS ARE LISTED AS SUB-ITEMS (EXAMPLE). X-ORDER PER NUMBER OF INCHES REQUIRED. MPV-MINIMUM PRESSURE VALVE.



VIEWED FROM BACK





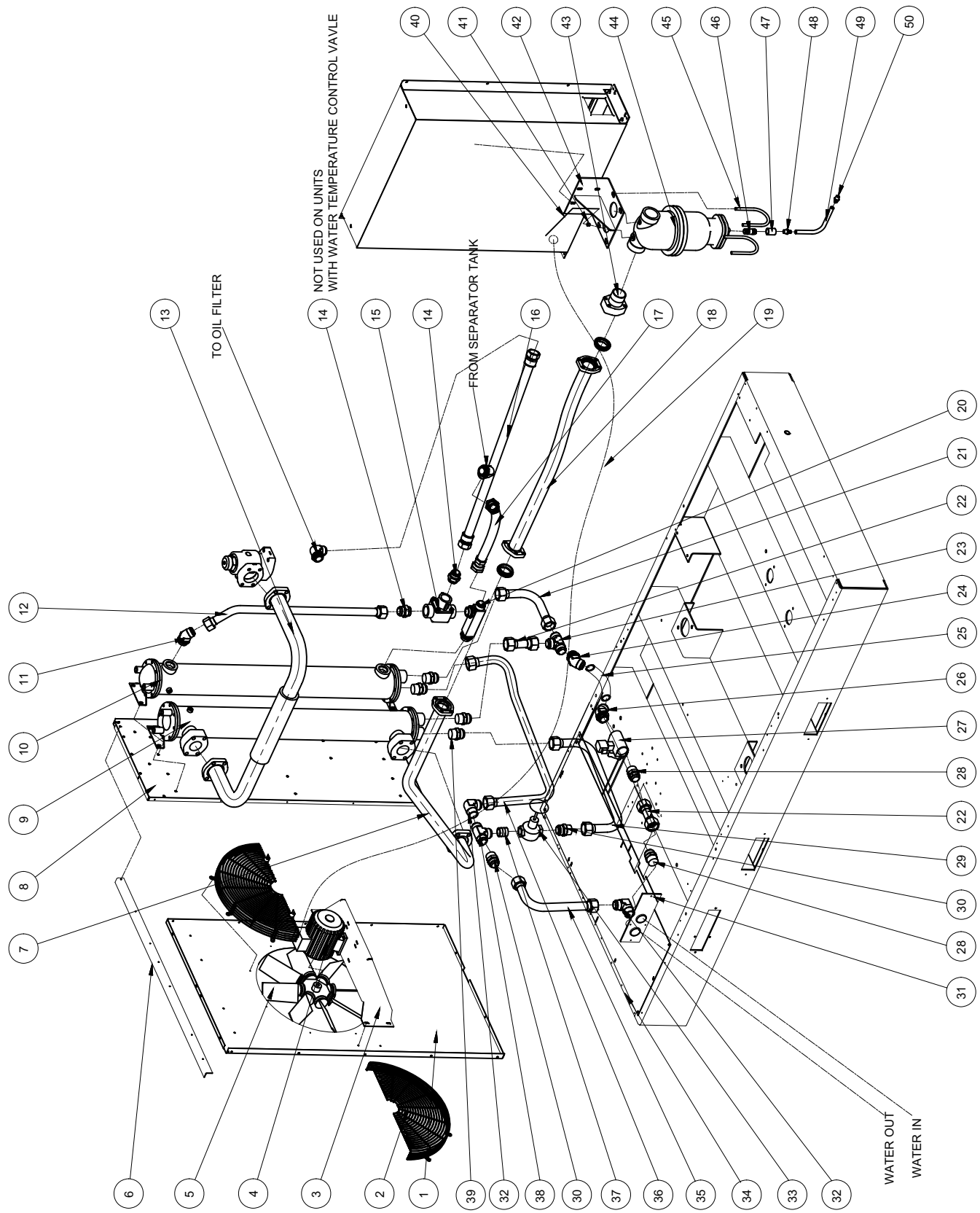
VIEWED FROM BACK

# 水 冷 却 系 统

## WATERCOOLED PIPING ASSEMBLY (90-110 KW)

序号 REF. NO.	零件号 PART NUMBER	数量	名称 DESCRIPTION	零件号 PART NUMBER	数量	名称 DESCRIPTION
1	85543270	1	风扇孔板 ORIFICE, FAN	35114271	1	夹箍 CLAMP
1A	39133145	8	螺栓 SCREW	XXXXXXX	1	接电线 WIRING, START BOX TO MOTOR
2	54376678	2	风扇网罩 GUARD, FAN	39546716	1	三通 MANIFOLD
2A	39133152	10	螺栓 SCREW	95949749	2	直接头 ELBOW
2B	95929071	10	垫圈 WASHER	39546569	2	管总成 TUBE, BASE INLET-AFTERCooler INLET
3	85543262	1	风扇电机支架 SUPPORT, FAN MOTOR	95937165	1	三通 TEE
3A	39178678	4	螺栓 SCREW	95937850	1	45° 接头 ADAPTER, 45
4	23879620	1	风扇电机 MOTOR, FAN	85562437	1	软管 HOSE
4A	39130828	4	螺栓 BOLT	95937751	1	45° 接头 ADAPTER, 45
4B	39128558	4	螺母 NUT	39479811	1	断水阀 VALVE, SOLENOID WATER
5	54569546	1	风扇 FAN, 24 INCH, 10 BLADE (60HZ)	95937553	2	直接头 ADAPTER
6	39197835	1	风扇 FAN, 24 INCH, 8 BLADE (60HZ)	39546619	1	管总成 TUBE, AFTERCooler OUT TO GATE VALVE
6A	85542660	1	角支架 ANGLE, SUPPORT	95939351	2	接头 ADAPTER
7	39133145	7	螺栓 SCREW	39546601	1	排水接板 PLATE, COUPLING
7A	95937678	1	直接头 CONNECTOR	95949749	2	直角接头 ELBOW
8	39922299	1	排气法兰 FLANGE, AFTERCooler OUT	39800305	1	管总成 TUBE, OIL COOLER OUT TO TEE
8A	95934170	4	螺栓 BOLT	95067203	1	截止阀 VALVE, GATE
8B	95929188	4	垫圈 WASHER	85542462	1	排气底板 PLATE, BOTTOM EXHAUST
8C	95022349	1	O型圈 O-RING	39133145	9	螺栓 SCREW
9	42862904	4	塞 PLUG	95507109	1	内接头 NIPPLE
10	85542454	1	冷却器支架 SUPPORT, COOLERS	39546593	1	管总成 TUBE, TEE TO BASE WATER OUT
10A	39133145	2	螺栓 SCREW	95909248	1	三通 TEE, REDUCING
11	39799531	1	后冷却器 AFTERCooler	95937553	4	直接头 ADAPTER
11A	39178678	4	螺栓 BOLT	39156393	1	快插接头 ADAPTER
12	39799523	1	冷却器 COOLER, OIL-90、UNITS	39124813	X	尼龙管 TUBING, NYLON
12A	39799515	1	冷却器 COOLER, OIL-115、UNITS	85543155	1	水分分离器支架 BRACKET, MOISTURE SEPARATOR
13	39178678	4	螺栓 SCREW	39128566	4	螺母 NUT
14	39139563	1	45° 接头 CONNECTOR, 45°	95937561	1	直接头 CONNECTOR(出口)
14A	39849005	1	管总成 TUBE, OIL COOLER-THERMO VALVE-90、UNITS	19041128	1	直接头 CONNECTOR(国内)
15	39857388	1	管总成 TUBE, OIL COOLER-THERMO VALVE-115、UNITS	19041474	1	三通 MANIFOLD(国内机组)
15A	39878350	1	排气管 PIPE, DISCHARGE MPV-AFTERCooler	24047409	1	安全阀 SAFETY VALVE, 8Bar(国内机组)
15B	95934154	8	螺栓 BOLT	24047417	1	安全阀 SAFETY VALVE, 9Bar(国内机组)
15C	95934741	8	垫圈 WASHER	23100316	1	安全阀 SAFETY VALVE, 11Bar(国内机组)
16	95022349	2	O型圈 O-RING	39586292	1	水分分离器 SEPARATOR, MOISTURE
17	39128624	2	直接头 CONNECTOR-THERMO VALVE PORT A & C	95920674	2	螺栓 SCREW
17A	39478193	1	温控阀 VALVE, THERMO	39128566	2	螺母 NUT
17B	39437645	1	温控阀芯 ELEMENT160 13B 39412127 10-RING, BODY	54423280	1	连接件 ADAPTER, MOISTURE TRAP VENT
18	95022257	1	O型圈 O-RING, ELEMENT	39530159	1	疏水阀 TRAP, CONDENSATE
18A	39572441	1	软管 HOSE, THERMO VALVE PORT A TO OIL FILTER	39137534	2	塔式接头 ELBOW
19	39572300	1	软管 HOSE, TANK TO COOLER MANIFOLD	95220844	2	夹箍 CLAMP
20	85563567	1	软管 HOSE	39137518	18	尼龙管 TUHOSE, SYNIFLEX ( INCHES)

NOTE: STANDARD FASTENERS SUCH AS NUTS, BOLTS AND SCREWS ARE LISTED AS SUB-ITEMS (EXAMPLE: 2A).



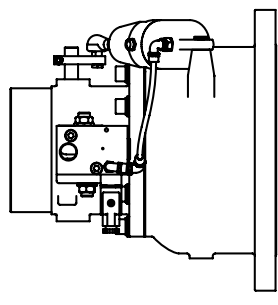
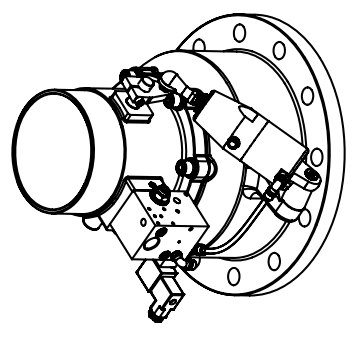
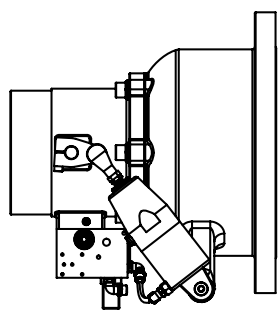
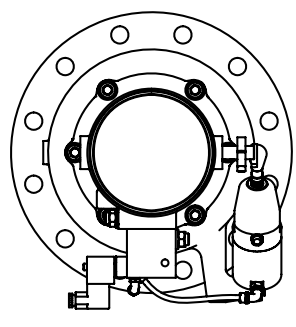
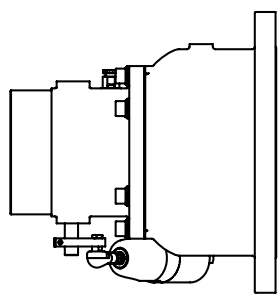
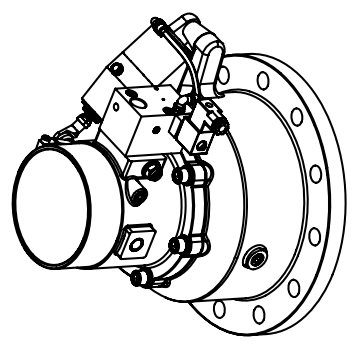
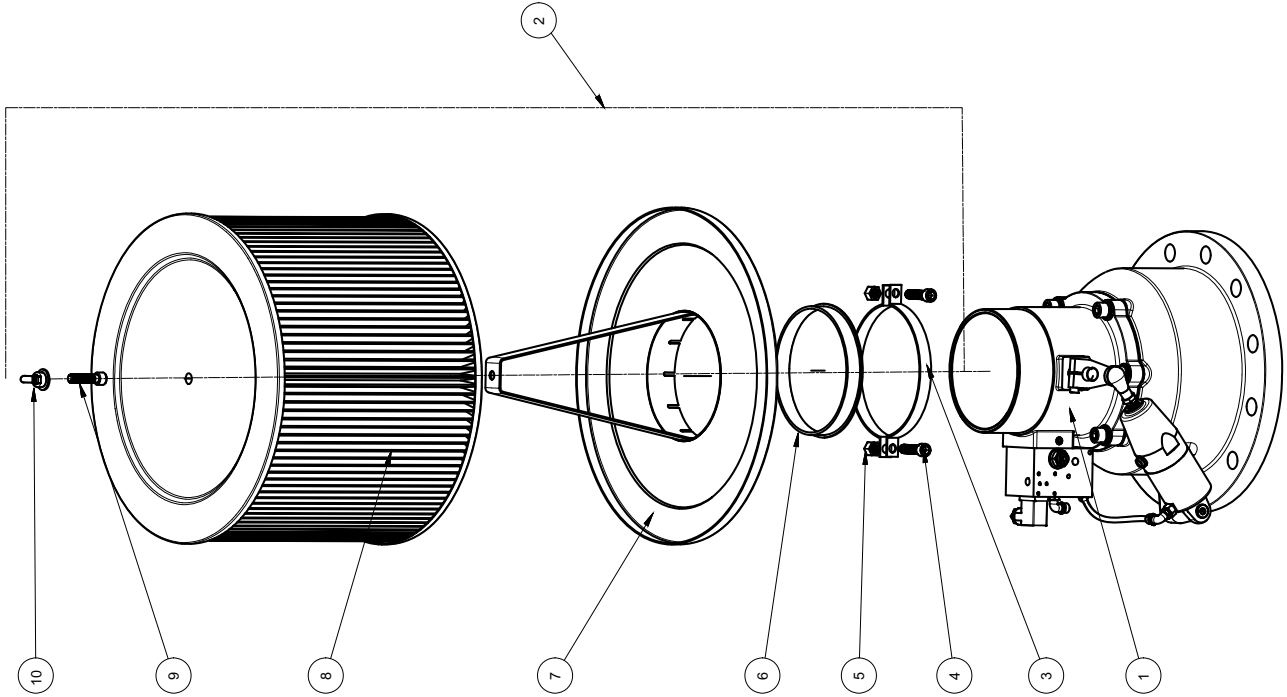
VIEWED FROM BACK  
16

# 水 冷 却 系 统

## WATERCOOLED PIPING ASSEMBLY (132 & 160KW)

序号 REF.	零件号 PART	数量	名称 DESCRIPTION	数量	零件号 PART	名称 DESCRIPTION
1	85543270	1	风扇孔板 ORIFICE, FAN	1	95937165	三通 TEE
1A	39133145	8	螺栓 SCREW	1	95937850	45° 接头 ADAPTER, 45
2	54376678	2	风扇网罩 GUARD, FAN	1	85562437	软管 HOSE
2A	39133152	10	螺栓 SCREW	1	95937751	45° 接头 ADAPTER, 45
2B	95929071	10	垫圈 WASHER	1	39479811	断水阀 VALVE, SOLENOID WATER
3	85543262	1	风扇电机支架 SUPPORT, FAN MOTOR	2	95937553	直接头 ADAPTER
3A	39178678	4	螺栓 SCREW	1	39546619	管总成 TUBE, AFTERCOOLER OUT TO GATE VALVE
4	23879620	1	风扇电机 MOTOR, FAN	2	95939351	接头 ADAPTER
4A	39130828	4	螺栓 BOLT	1	39546601	排水接板 PLATE, COUPLING
4B	39128558	4	螺母 NUT	2	95949749	直角接头 ELBOW
5	39197835	1	风扇 FAN, 60HZ	1	95067203	截止阀 VALVE, GATE
6	54569546	1	风扇 FAN, 50HZ	1	85542462	排气底板 PLATE, BOTTOM EXHAUST
6A	85542660	1	角支架 ANGLE, SUPPORT	9	39133145	螺栓 SCREW
7	39800354	7	螺栓 SCREW	1	39546593	管总成 TUBE, TEE TO BASE WATER OUT
7A	95934469	4	管总成 TUBE (S. W. V. - A/C) - WITH AFTERCOOLER	1	39800305	管总成 TUBE, OIL COOLER OUT TO TEE
7B	95934733	4	螺栓 SCREW	1	95507109	内接头 NIPPLE
8	85542454	1	冷却器支架 SUPPORT, COOLERS	1	95909248	三通 TEE, REDUCING
8A	39178678	8	螺栓 SCREW	4	95937553	直接头 ADAPTER
9	39799531	1	后冷却器 AFTERCOOLER	X	39124813	尼龙管 TUBING
9A	39178678	4	螺栓 BOLT	1	39155478	快插接头
10	39799515	1	冷却器 COOLER, OIL-115, UNITS	1	95928230	塞 PLUG
11	39178678	4	垫圈 WASHER	1	39798343	水分分离器 支架 BRACKET, MOISTURE SEPARATOR
12	39139563	1	45° 接头 ELBOW, 45	4	39128566	螺母 NUT
13	39857388	1	管总成 TUBE, OIL COOLER-THERMO VALVE-115, UNITS	1	39479050	接头 ADAPTER, SEPARATOR IN
13A	95934154	1	排气管 PIPE, DISCHARGE MPV-AFTERCOOLER	4	95943163	螺栓 BOLT, TUBE TO ADAPTER ON M.S.
13B	95929188	8	螺栓 BOLT (PIPE TO MPV & A/C)	4	95934733	垫圈 WASHER
13C	95022349	8	垫圈 WASHER	1	95028502	O型圈 O-RING
14	39128624	2	直接头 ADAPTER, TCVT PORT A & C	1	39900394	水分分离器 SEPARATOR, MOISTURE
15	39478193	1	温控阀 VALVE, THERMO CONTROL (TCV)	2	39483789	U型接头 U-BOLT
15A	39437645	1	温控阀阀芯 ELEMENT, THERMO CONTROL VALVE	4	39116348	螺母 NUT
15B	39412127	1	O型圈 O-RING, BODY	1	95948766	内接头 NIPPLE
15C	95022257	1	O型圈 O-RING, ELEMENT	1	95902045	外接头 COUPLING, FULL
16	85562544	1	软管 HOSE, TCV PORT A TO OIL FILTER	1	39137526	塔式接头 ADAPTER
17	85562460	1	软管 HOSE, TANK TO COOLER MANIFOLD	12	39137518	尼龙管 TUHOSE, (INCHES)
18	19041136	1	排气管 TUBE (TUBE MOISTURE SEPARATOR ADAPTER) 国内	1	39137542	塔式接头 ADAPTER
18A	39800362	1	排气管 TUBE (TUBE MOISTURE SEPARATOR ADAPTER) 出口			
18B	95934469	4	螺栓 BOLT (A/C TUBE TO MOISTURE SEPARATOR TUBE)			
18C	95934733	4	垫圈 WASHER			
19	95028502	1	O型圈 O-RING			
20	XXXXXXX	1	接电线 WIRING, START BOX TO MOTOR			
21	39546716	1	三通 MANIFOLD			
22	95949749	2	直接头 ELBOW			
22	39546569	2	管总成 TUBE, BASE INLET-AFTERCOOLER INLET			

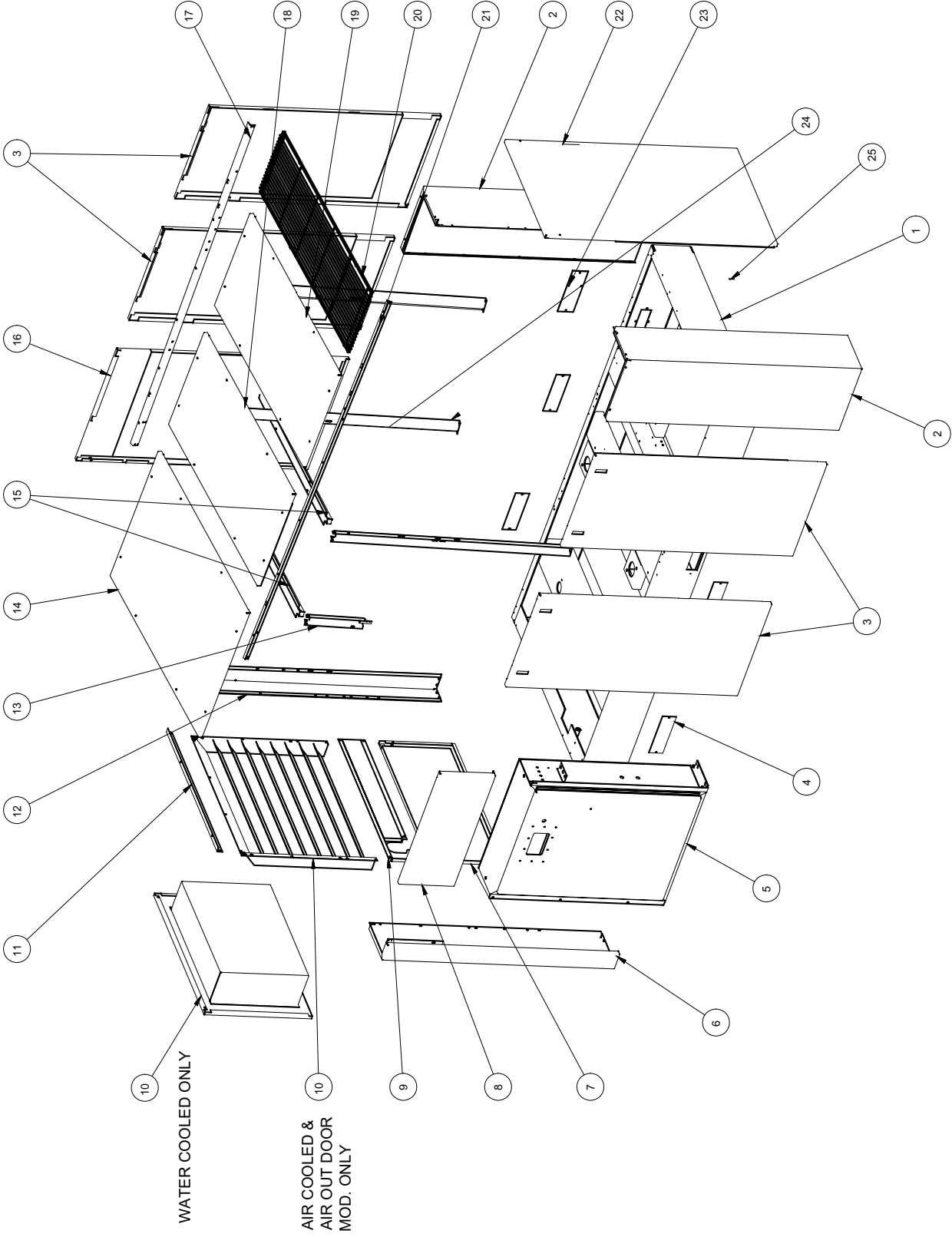
NOTE: FOR ADDITIONAL PIPING OPTIONS SEE NEXT 2 PAGES.  
 NOTE: STANDARD FASTENERS SUCH AS NUTS, BOLTS AND SCREWS ARE LISTED AS SUB-ITEMS (EXAMPLE:2A).  
 X.OORDER PER NUMBER OF INCHES REQUIRED.  
 SWV-SOLENOID WATER VALVE.  
 TCV-THERMO CONTROL VALVE.  
 MPV-MINIMUM PRESSURE VALVE.  
 A/C-AFTERCOOLER.  
 M.S.-MOISTURE SEPARATOR.  
 O/C.-OIL COOLER.



# 进气阀组件

## INLET VALVE ASSEMBLY

序号 REF. NO.	零件号 PART NUMBER	数量	名称 DESCRIPTION
1	24048910	1	进气阀总成 INLET VALVE ASSEMBLY
2	23782311	1	空滤总成 AIR FILTER ASSEMBLY(132-160KW)
	23782303	1	空滤总成 AIR FILTER ASSEMBLY(90-110KW)



VIEWED FROM FRONT



# 标准罩壳组件

## ENCLOSURE ASSEMBLY

序号 REF. NO.	零件号 PART NUMBER	名称 DESCRIPTION	数量 QTY.	数量	零件号 PART NUMBER	名称 DESCRIPTION	数量 QTY.
1	39843347	底座 BASE, STANDARD	1		85542439	后角铁 ANGLE, REAR	1
2	85542223	右端角架总成 CORNER ASSEMBLY, RIGHT END	2		39133145	螺栓 SCREW	8
3	24000861	通用面板总成 PANEL ASSEMBLY, COMMON	4		24000846	中顶面板总成 PANEL ASSEMBLY, TOP CENTER	1
4	39495981	叉车空盖板 COVER, FORKLIFT	4		24000838	右顶面板总成 PANEL ASSEMBLY, TOP RIGHT	1
4A	39133145	螺栓 SCREW	8		39800537	排气网罩 GRILL, EXHAUST	1
5	24000663	控制箱 STARTER/INTELLISYS ENCLOSURE (90-110KW)	1		39133152	螺栓 SCREW	8
6	24000655	控制箱 STARTER/INTELLISYS ENCLOSURE (132-160KW)	1		85542421	前角支架 ANGLE, FRONT	1
7	85542405	左前面板总成 PANEL ASSEMBLY, LEFT FRONT	1		39133145	螺栓 SCREW	8
8	24000895	左端面板总成 PANEL ASSEMBLY, LEFT END	1		24000903	右端面板总成 PANEL ASSEMBLY, RIGHT END	1
9	24000929	上部面板总成 PANEL ASSEMBLY, UPPER FRONT	1		39546668	盖板 (风冷) PLATE, COVER (AIRCOOLED ONLY)	1
10	85543288	排气百叶窗 (风冷) LOUVER, AIR INTANK (WATER COOLED OUT DOOR MOD & ALL AIR COOLED)	1		39133152	螺栓 SCREW	4
					85542272	垂直角架 SUPPORT, VERTICAL	3
10A	54393061	进气面板 (水冷) PANEL, AIR INTANK (WATER COOLED ONLY)	1		39133145	螺栓 SCREW	6
	39133152	螺栓 (水冷) SCREW (WATER COOLED ONLY)	8		39138490	销 PIN, LOCATOR	14
	39133152	螺栓 (风冷) SCREW (WATER COOLED OUTDOOR MOD. & ALL AIRCOOLED)	10		39133954	门锁 LATCH, DOOR	8
11	85542937	左端支架 ANGLE, LEFT END	1		39117312	WEATHERSTRIP	X
12	85542413	左后角架总成 CORNER ASSEMBLY, LEFT REAR	1				
13	85542447	短支架 SUPPORT, SHORT	1				
14	24000853	左顶面板总成 PANEL ASSEMBLY, TOP LEFT	1				
15	85542264	顶支架 SUPPORT, TOP	2				
	39133145	螺栓 SCREW	8				
16	24000820	左后面板总成 PANEL ASSEMBLY, LEFT REAR	1				
	39800446	左后面板总成 PANEL ASSEMBLY, LEFT REAR (NO AFTERCOOLER ONLY)	1				

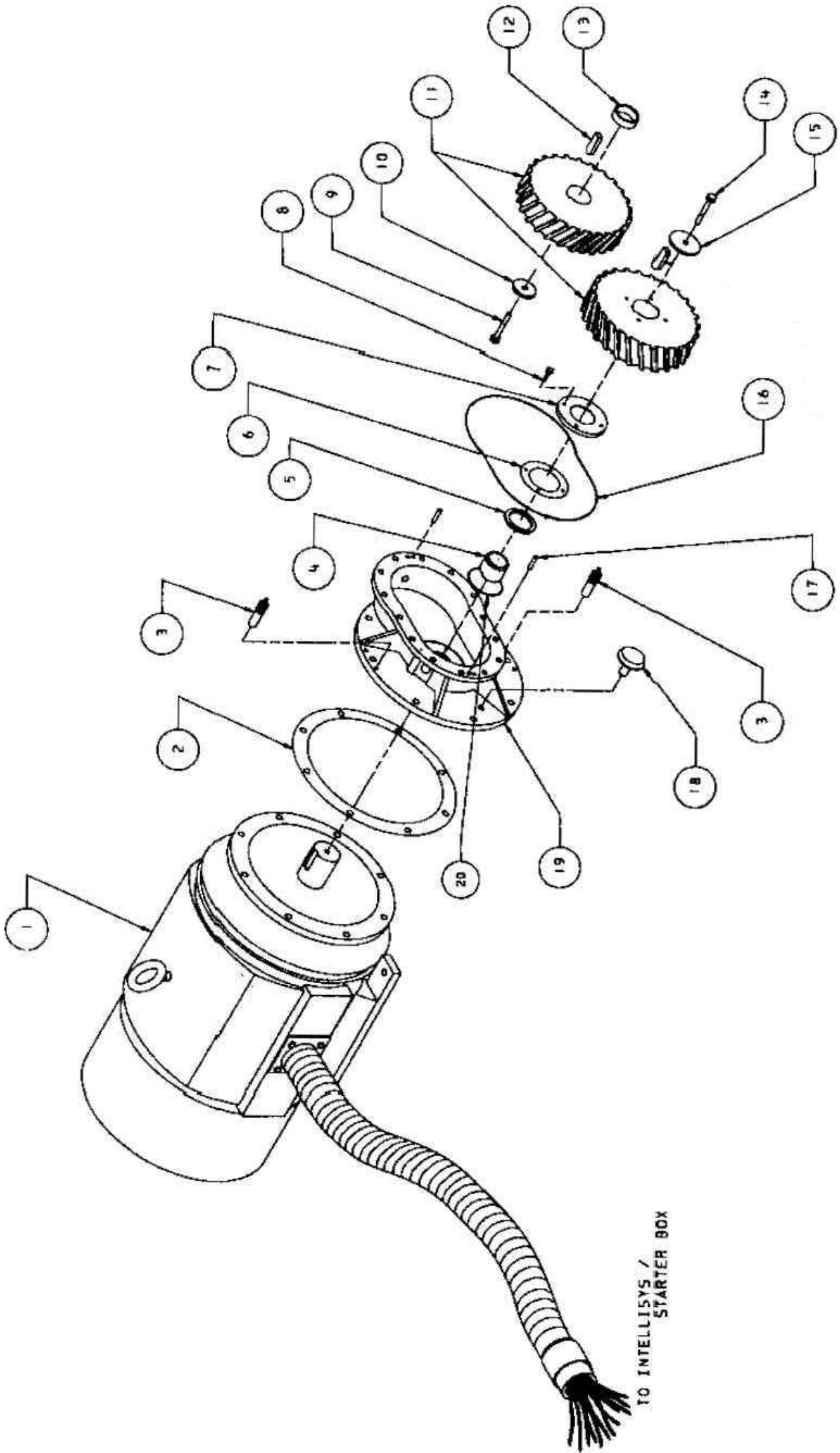
NOTE: STANDARD FASTENERS SUCH AS NUTS, BOLTS AND SCREWS ARE LISTED AS SUB-ITEMS (EXAMPLE:7A).  
X-ORDER PER NUMBER OF INCHES REQUIRED.

# 传动系统

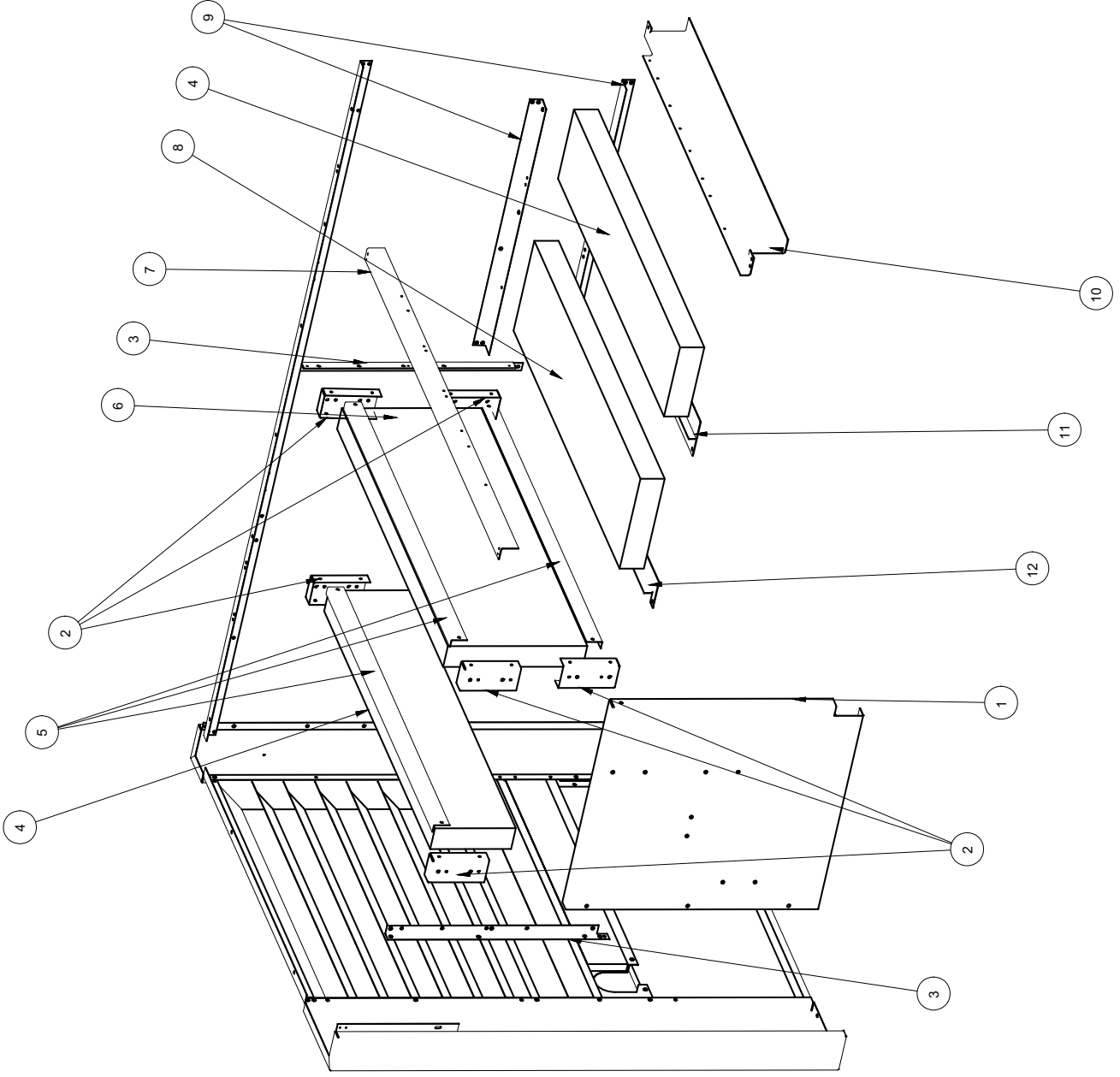
## DRIVE TRAIN ASSEMBLY

序号 REF. NO.	零件号 PART NUMBER	数量	名称 DESCRIPTION	数量	零件号 PART NUMBER	名称 DESCRIPTION
1	23048267	1	主电机 MOTOR (160KW)	1	23782147	齿轮组 GEAR SET M90-10
	23043072	1	主电机 MOTOR (132KW)	1	23782162	齿轮组 GEAR SET M110-7
	23048283	1	主电机 MOTOR (110KW)	1	23782170	齿轮组 GEAR SET M110-8
	23048275	1	主电机 MOTOR (90KW)	1	23782212	齿轮组 GEAR SET M132-7
1A	95935201	7	螺栓 BOLT, GEARCASE TO MOTOR	1	23782220	齿轮组 GEAR SET M132-8
1B	95934378	1	螺栓 BOLT, GEARCASE TO MOTOR	1	23782238	齿轮组 GEAR SET M132-10
1C	95922928	7	螺母 NUT	1	23782261	齿轮组 GEAR SET M160-7
2	39454558	1	垫 GASKET, MOTOR TO GEARCASE	1	23782279	齿轮组 GEAR SET M160-8
3	39194915	2	销 TAPER PIN, GEARCASE TO MOTOR	1	23782187	齿轮组 GEAR SET M160-10
4	39402300	1	轴套 SLEEVE, SHAFT (125-200HP)	1	39167150	键 KEY, MALE ROTOR TO GEAR
	89292460	1	轴套 SLEEVE, SHAFT (90-110KW)	1	39326483	垫圈 SPACER, GEAR MALE ROTOR
	89292478	1	轴套 SLEEVE, SHAFT (132-169KW)	1	95929170	螺栓 SCREW (125-200HP)
5	39311501	1	密封 SEAL, SHAFT (125-200HP)	1	95013785	螺栓 SCREW (90-160KW)
	89244024	1	密封 SEAL, SHAFT (90-110KW)	1	39109129	压板 RETAINER PLATE (125-200HP)
	89292445	1	密封 SEAL, SHAFT (132-160KW)	1	39109129	压板 RETAINER PLATE (90-110KW)
6	39454566	1	垫 GASKET, SEAL (125-200HP)	1	92539311	压板 RETAINER PLATE (132-160KW)
	95023107	1	0 型圈 O-RING, SEAL (90-110KW)	1	39253992	0 型圈 O-RING GEARCASE TO FRONT BEARING HOUSING (主机带)
	95023388	1	0 型圈 O-RING, SEAL (132-160KW)	2	95239919	销 PIN, GEARCASE TO FRONT BEARING HOUSING
7	39403830	1	密封盒 HOUSING, SEAL (125-200HP)	1	88089743	透气帽 BREATHER, SEAL SCAVENGE
	89244040	1	密封盒 HOUSING, SEAL (90-110KW)	1	39106240	透气帽 BREATHER, SEAL SCAVENGE
	22880744	1	密封盒 HOUSING, SEAL (132-160KW)	1	39797550	齿轮箱 GEARCASE (125-200HP)
8	99271033	4	螺栓 SCREW (90-110KW)	1	39797550	齿轮箱 GEARCASE (90-160KW)
	39191283	6	螺栓 SCREW (132-160KW)	1	22060701	齿轮箱 GEARCASE (132-160KW)
9	35255819	1	螺栓 SCREW, MALE ROTOR	1	95991642	0 型圈 O-RING, SEAL (90-110KW)
10	23782121	1	主机压板 RETAINER PLATE, MALE ROTOR	1	95022125	0 型圈 O-RING, SEAL (132-160KW)
11	23782139	1	齿轮组 GEAR SET M90-7 / M110-10			
		1	齿轮组 GEAR SET M90-8			

NOTE: STANDARD FASTENERS SUCH AS NUTS, BOLTS AND SCREWS ARE LISTED AS SUB-ITEMS (EXAMPLE: 1A).



VIEWED FROM FRONT



VIEWED FROM FRONT  
24

# 风 冷 却 进 气 组 件

## AIRCOOLED INTANK ASSEMBLY

序号 REF. NO.	零件号 PART NUMBER	数量	名称 DESCRIPTION
1	85543114	1	消音挡板 WALL, SILENCER
1A	39133145	3	螺栓 SCREW
2	85542256	6	吸音板保持架 RETAINER, BATT
2A	39133145	12	螺栓 SCREW
3	85542348	2	支架 SUPPORT, ANGLE BATT
3A	39133145	4	螺栓 SCREW
4	39799002	2	吸音板 BATT, SMALL
5	85542132	3	吸音板支撑 BRACE, ANGLE BATT
5A	39133145	6	螺栓 SCREW
6	39798996	1	吸音板 BATT, LARGE
7	85542322	1	上角支架 SUPPORT, UPPER ANGLE
7A	39133145	5	螺栓 SCREW
8	39858444	1	吸音板 BATT, SMALL
9	85542355	2	后角架 SUPPORT, REAR ANGLE
9A	39133145	8	螺栓 SCREW
10	85543106	1	角支架 SUPPORT, AFTERCOOLER
10A	39133145	3	螺栓 SCREW
11	85543346	1	吸音板中部保持架 SUPPORT, BATT
12	85543338	1	端部保持角架 SUPPORT, BOTTOM ANGLE
12A	39133145	6	螺栓 SCREW

NOTE: STANDARD FASTENERS SUCH AS NUTS, BOLTS AND SCREWS ARE LISTED AS SUB-ITEMS (EXAMPLE:7A).

# SAE接头圈O型圈

## O-RINGS FOR SAE FITTINGS

零件号	螺纹尺寸	内径	宽	管尺寸
PART NO.	Size	ID	Width	Tube Size
39404157	7/16-20	0.351	0.072	1/4
39404132	9/16-18	0.468	0.078	3/8
39404165	3/4-16	0.644	0.087	1/2
39437074	7/8-14	0.755	0.097	5/8
39407531	1-1/16-12	0.924	0.116	3/4
39404173	1-5/16-12	1.171	0.116	1
39404140	1-5/8-12	1.475	0.118	1-1/4
39406996	1-7/8-12	1.72	0.118	1-1/2
39410279	2-1/2-12	2.337	0.118	2