

Atlas Copco Stationary N2 Compressors

ZR 300, ZR 315, ZR 355, ZR 400, ZR 425

Parts list

- Copyright 2006, Atlas Copco Airpower n.v., Antwerp, Belgium.
Any unauthorized use or copying of the contents or any part thereof is prohibited.
This applies in particular to trademarks, model denominations, part numbers and drawings.
- **Use only authorized parts.** Any damage or malfunction caused by the use of unauthorized parts is not covered by Warranty or Product Liability.

No.9829 3100 60

Registration code : APC ZR 300-750

Compare No. 1092 0030 00

2011-10

www.atlascopco.com

Atlas Copco

Contents
Inhoud
Innehåll
Inhaltsverzeichnis
Table des matières
Indice

Indice
Innholdsfortegnelse
Indice
Indholdsfortegnelse
Sisällysluettelo

Gear casing and drive gear
Tandwielkast en aandrijving
Växelhus och drivning
Getriebegehäuse und Antriebsrad
Carter d'engrenages et entraînement
Cárter de engranajes y accionamiento
Scatola ingranaggi e ingranaggio conduttore
Gearkasse og drivhjul
Carter de engrenagens e accioanamento
Girkasse og drivhjul
Vaihteen kotelo ja hihnapyörä 1

Air inlet
Luchtinlaat
Luftintag
Lufteinlaß
Admission d'air
Entrada de aire
Presa d'aria
Luftindsug
Admissão de ar
Luftinnløp
Tuloilma 2

Air flow
Luchtstroming
Luftflöde
Luftstrom
Flux d'air
Flujo de aire
Flusso d'aria
Luftflow
Fluxo de ar
Luftstrøm
Ilman virtaus 3

Air outlet
Luchtuitlaat
Luftutløpp
Luftauslaß
Sortie d'air
Salida de aire
Mandata dell'aria
Luftafgang
Saida de ar
Luftutløp
Paineilmaputki
- Water and air connections - With aftercooler 4

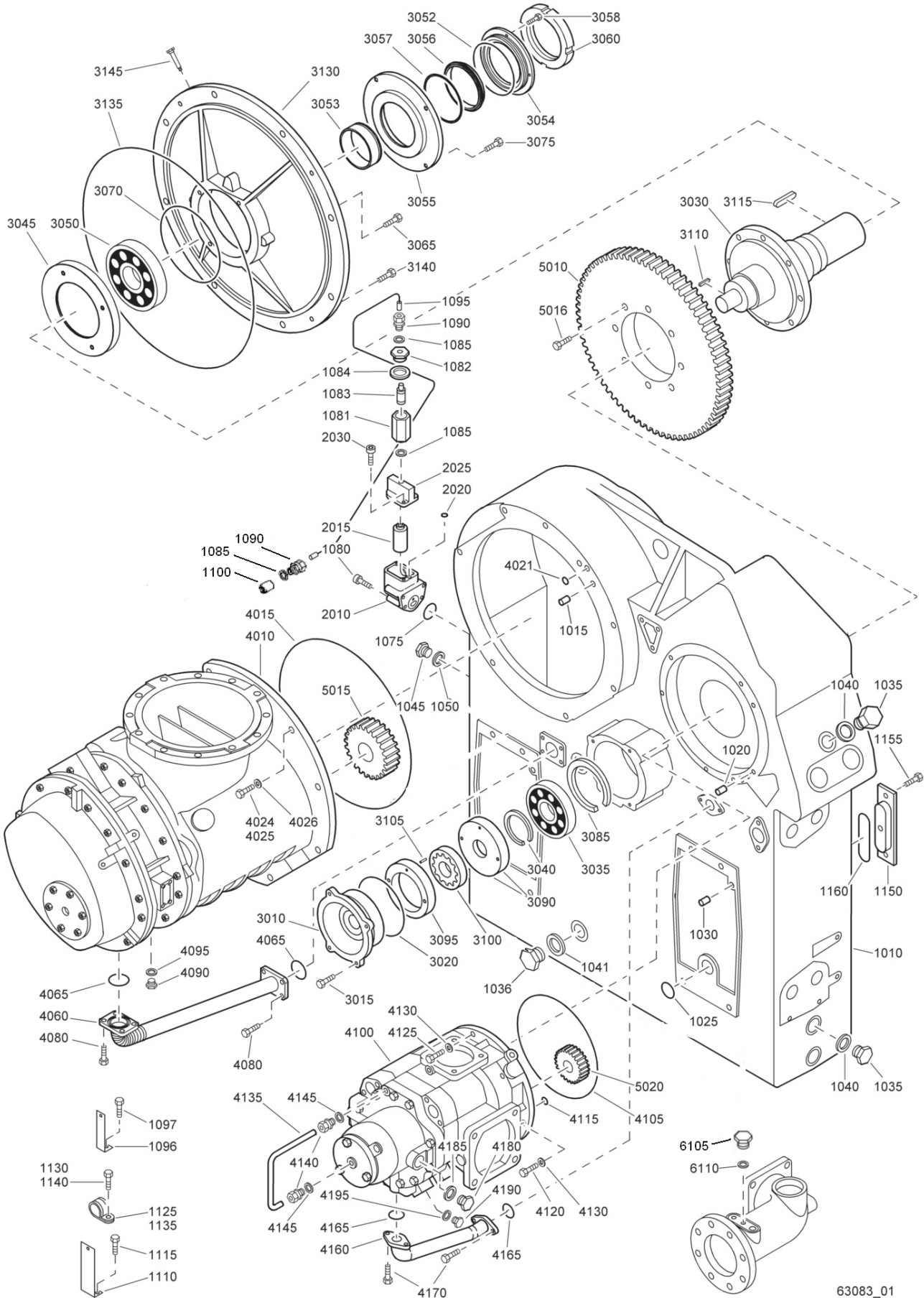
Water system
Watersysteem
Vattensystem
Wassersystem
Système d'eau
Sistema de agua
Sistema dell'acqua
Vandsystem
Sistema de água
Vannsystem
Vesijärjestelmä
- No ENergy RECoverY 5

Drain system
Aftapsysteem
Avtappingsssystem
Abläßsystem
Système de vidange
Sistema de drenaje
Sistema di scarico
Drænsystem
Sistema de drenagem de condensados
Avtappingssystem
Lauhteenpoistojärjestelmä 6

Coolers
Koelers
Kylare
Kühler
Refrroidisseurs
Refrigeradores
Refrigeratorei
Kølere
Refrigeradores
Kjølere
Jäähdyttime
- With aftercooler 7
- Water separator parts - With aftercooler 8

Oil system		Bodywork	
Oliesysteem		Carrosserie	
Oljesystem		Karosseri	
Ölsystem		Karosserie	
Système d'huile		Capotage	
Sistema de aceite		Carrocería	
Sistema dell'olio		Cappottatura	
Oliesystem		Karosseri	
Sistema de óleo		Carroceria	
Oljesystem		Kabinett	
Voitelujärjestelmä		Kotelo	
- With Single Oil filter	9	- Cubicle box	19
		- Mountings on frame	20
Drive arrangement		- Doors and stays	21
Aandrijfuitvoering		- Motor baffles - No Separate air inlet	22
Drivarrangemang		- Air inlet panels - Without Pre-filter kit	32
Antriebsanordnung			
Entraînement		Service kits	
Accionamiento		Service kits	
Azionamento		Service kits	
Arrangement		Service Kits	
Accionamento		Service kits	
Drivarrangement		Service kits	
Rakenne		Service kits	
- Arrangement E - Low Voltage / Without motor	10	Kit per la manutenzione	
- Arrangement E - Medium Voltage	11	Service kits	
- Arrangement 1	12	Conjuntos de reparação	
		Servicesett	
Control module		Huoltotarvikesarjat	23
Stuurmodule			
Kontrollmodul			
Steuermodul			
Module de commande			
Módulo de mando			
Modulo di controllo			
Kontrollmodul			
Kontrolmodul			
Módulo de comando			
Ohjainlaite			
- With Aftercooler	13		
- SPM monitoring	14		
Cubicle(s)			
Kast(en)			
Skåp			
Schaltschrank(en)			
Armoire(s)			
Armario			
Armadio elettrico			
Elskab			
Quadro			
Skap			
Kotelo			
- With starter ZR 425 460V/60Hz - CSA/UL	15		
- With starter CSA/UL	16		
- With starter IEC	17		
- Without starter	18		

1

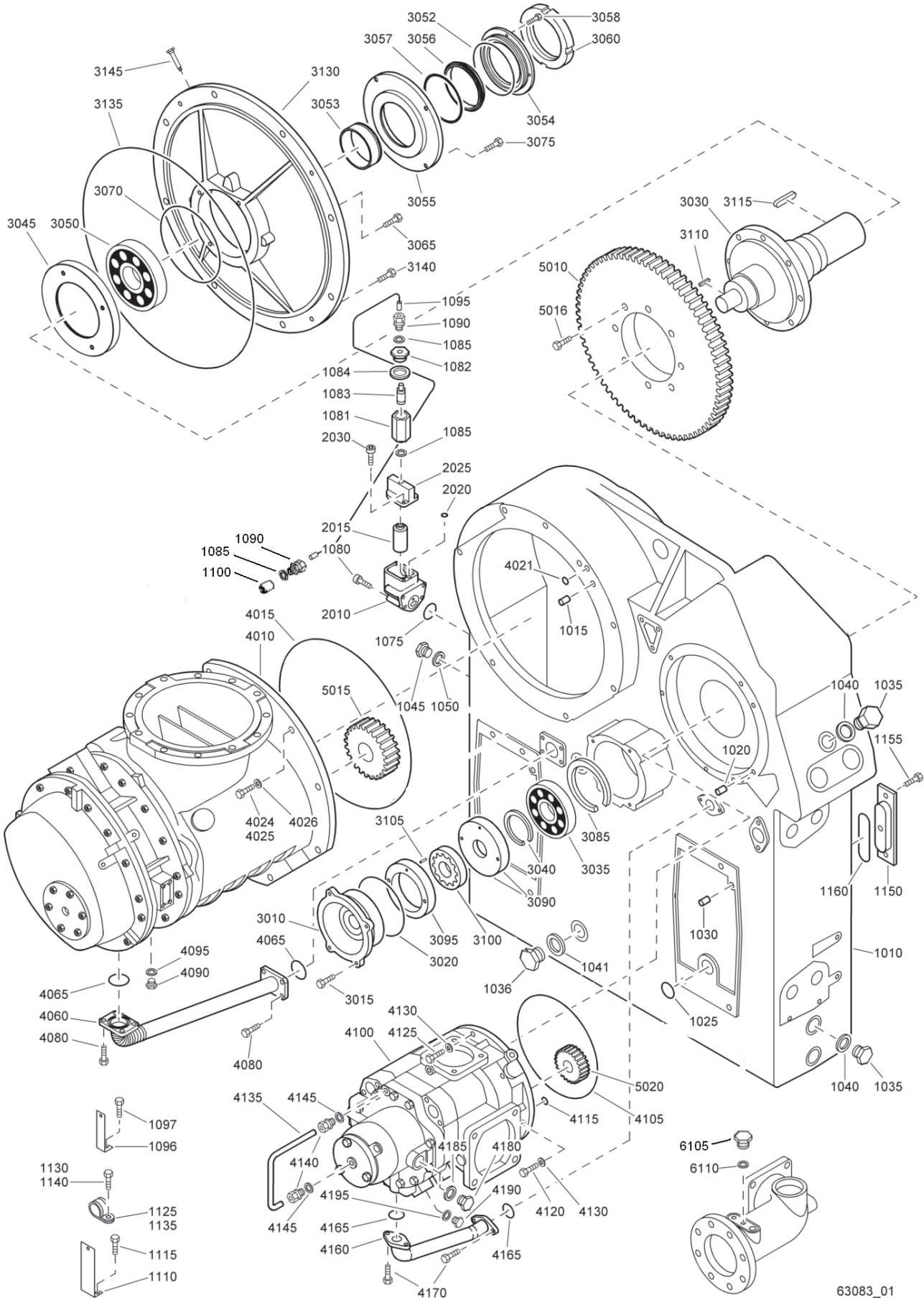


63083_01

Gear casing and drive gear

Ref.	Part number	Qty	Name	Remarks	Ref.	Part number	Qty	Name	Remarks
1010		1	Gear casing		3053	1621 4067 00	1	Bush	
	1616 6452 04		ZR 300 50Hz 7.5bar(e)		3054	1621 4068 00	1	Flange	
	1616 6452 04		ZR 300 50Hz 8.6bar(e)		3055	1621 4069 00	1	Flange	
	1616 6452 03		ZR 300 50Hz 10bar(e)		3056	2250 8193 00	1	Seal ring	
	1616 6452 06		ZR 300 60Hz 8.6bar(e)		3057	2250 8191 00	1	Spring wave	
	1616 6452 05		ZR 300 60Hz 10.4bar(e)		3058	0147 1246 03	4	Bolt	
	1616 6452 03		ZR 315 50Hz		3060	0295 3122 00	1	Locknut	
	1616 6452 05		ZR 315 60Hz 8.6bar(e)		3065	0211 1373 00	4	Cap screw	
	1616 6452 04		ZR 315 60Hz 10.4bar(e)		3070	0663 2107 52	1	O-ring	
	1616 6452 03		ZR 355 50Hz 7.5bar(e)		3075	0147 1367 03	4	Bolt	
	1616 6452 03		ZR 355 50Hz 8.6bar(e)		3085	0335 2184 00	1	Int.circlip	
	1616 6452 02		ZR 355 50Hz 10bar(e)		3090	1616 6231 02	1	Distance ring	
	1616 6452 04		ZR 355 60Hz 8.6bar(e)		3095	1616 6232 03	1	Eccentric ring	
	1616 6452 03		ZR 355 60Hz 10.4bar(e)		3100	1616 6233 03	1	Pump element	
	1616 6452 02		ZR 400 50Hz		3105	0102 0335 00	1	Pin	
	1616 6452 03		ZR 400 60Hz		3110	1616 6296 00	1	Key	
	1616 6452 01		ZR 425 50Hz 7.5bar(e)		3115	0337 8429 00	1	Parallel key	
	1616 6452 01		ZR 425 50Hz 8.6bar(e)		3130	1616 6292 00	1	Bearing shield	
	1616 6452 03		ZR 425 60Hz 8.6bar(e)		3135	0663 2106 84	1	O-ring	
1015	0101 1951 53	1	Pin		3140	0147 1364 03	4	Bolt	
1020	0101 1951 49	1	Pin		3145	1619 6032 05	1	Nipple	
1025	0663 2108 08	1	O-ring		4010		1	Service stage	
1030	0101 1951 52	2	Pin			1616 6305 81		Teflon	
1035	0686 3716 09	2	Plug			1616 6305 82		Epoxy	
1036	0686 3716 09	2	Plug		4015	0663 2103 26	1	O-ring	
1040	0661 1000 31	2	Seal washer		4021	0663 2109 12	1	O-ring	
1041	0661 1000 31	2	Seal washer		4024	0147 1481 03	1	Bolt	
1045	0686 4230 07	1	Plug		4025	0147 1478 03	7	Bolt	
1050	9125 6303 00	1	Seal washer		4026	0301 2378 00	8	Washer	
1075	0663 2107 81	1	O-ring		4060	1621 6393 00	1	Pipe	
1080	0211 1335 03	4	Cap screw		4065	0663 2108 08	2	O-ring	
1081	1614 8671 00	1	Housing		4080	0147 1962 29	8	Bolt	
1082	1614 8672 00	1	Plug		4090	0686 3716 01	2	Plug	
1083	1614 8673 00	1	Filter element		4095	0661 1000 25	2	Seal washer	
1084	0661 1000 30	1	Seal washer		4100		1	Service stage	
1085	0661 1000 25	3	Seal washer			1616 5803 81		Teflon	
1090	0580 0013 32	2	Coupling			1616 5803 82		Epoxy	
1095	1092 1602 85	1	Pipe		4105	0663 2103 22	1	O-ring	
1096	1621 6227 00	1	Bracket		4115	0663 2107 89	1	O-ring	
1097	0147 1322 03	1	Bolt		4120	0147 1962 34	4	Bolt	
1100	0607 1101 14	1	Str.coupling		4125	0147 1402 03	2	Bolt	
1110	1621 6228 00	1	Bracket		4130	0301 2358 00	6	Washer	
1115	0147 1322 03	1	Bolt		4135	1621 6028 00	1	Pipe	
1125	1613 0801 05	1	Clamp		4140	0580 0400 03	2	Str.coupling	
1130	0147 1247 03	1	Bolt		4145	0661 1000 25	2	Seal washer	
1135	1613 0801 05	1	Clamp		4160	1621 3360 00	1	Hose assembly	
1140	0147 1247 03	1	Bolt		4165	0663 2107 81	2	O-ring	
1150	1621 6059 00	1	Cover		4170	0147 1323 03	4	Bolt	
1155	0147 1962 30	2	Bolt		4180	0686 3716 07	1	Plug	
1160	0663 2106 18	1	O-ring		4185	0661 1000 30	1	Seal washer	
	1621 1865 80	1	Housing		4190	0686 3716 01	2	Plug	
2010	1621 1865 00	• 1	Housing		4195	0661 1000 25	2	Seal washer	
2015	1202 6255 01	• 1	Filter element		5010		1	Gear wheel	
2020	0663 2107 84	• 1	O-ring			1616 6234 13		ZR 300 50Hz 7.5bar(e)	
2025	1614 8222 00	• 1	Cover			1616 6234 11		ZR 300 50Hz 8.6bar(e)	
2030	0211 1247 03	• 2	Cap screw			1616 6234 09		ZR 300 50Hz 10bar(e)	
3010	1616 6229 00	1	Pump cover			1616 6234 07		ZR 300 60Hz 8.6bar(e)	
3015	0147 1326 03	4	Bolt			1616 6234 03		ZR 300 60Hz 10.4bar(e)	
3020	0663 2107 76	1	O-ring			1616 6234 15		ZR 315 50Hz 7.5bar(e)	
3030	1616 6224 00	1	Drive shaft			1616 6234 13		ZR 315 50Hz 8.6bar(e)	
3035	0508 1100 70	1	Roller bearing			1616 6234 12		ZR 315 50Hz 10bar(e)	
3040	0335 1165 00	1	Ext.circlip			1616 6235 14		ZR 315 60Hz 8.6bar(e)	
3045	1616 6291 00	1	Ring			1616 6234 06		ZR 315 60Hz 10.4bar(e)	
3050	0506 0100 13	1	Roller bearing			1616 6234 18		ZR 355 50Hz 7.5bar(e)	
3052	0663 2107 76	1	O-ring			1616 6234 16		ZR 355 50Hz 8.6bar(e)	

1

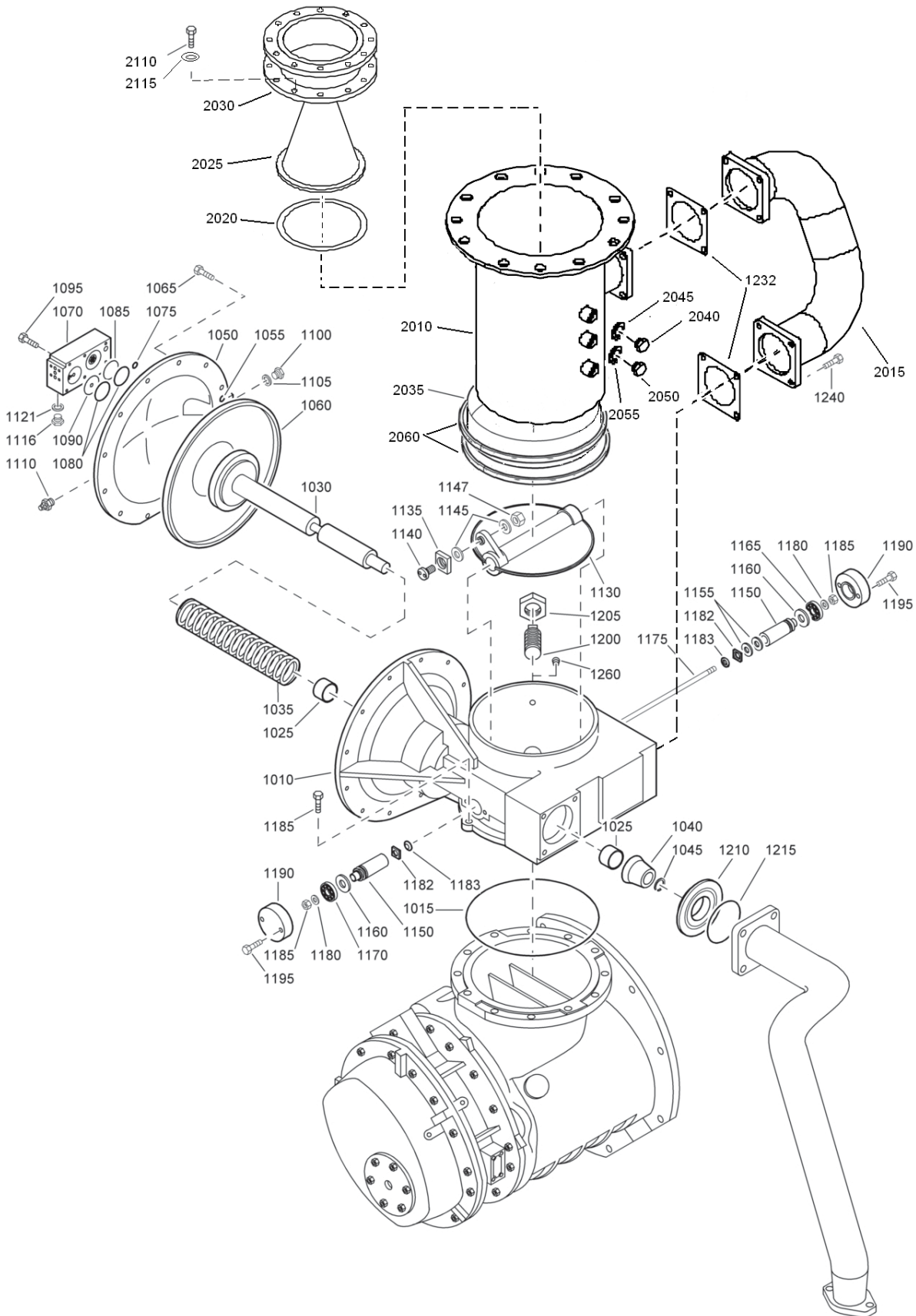


63083_01

Gear casing and drive gear

Ref.	Part number	Qty	Name	Remarks
	1616 6234 14		ZR 355 50Hz 10bar(e)	
	1616 6234 13		ZR 355 60Hz 8.6bar(e)	
	1616 6234 09		ZR 355 60Hz 10.4bar(e)	
	1616 6234 20		ZR 400 50Hz 7.5bar(e)	
	1616 6234 18		ZR 400 50Hz 8.6bar(e)	
	1616 6234 17		ZR 400 50Hz 10bar(e)	
	1616 6234 15		ZR 400 60Hz 8.6bar(e)	
	1616 6234 12		ZR 400 60Hz 10.4bar(e)	
	1616 6235 02		ZR 425 50Hz 7.5bar(e)	
	1616 6234 20		ZR 425 50Hz 8.6bar(e)	
	1616 6234 18		ZR 425 60Hz 8.6bar(e)	
5015		1	Gear wheel	
	1616 6235 11		ZR 300 50Hz 7.5bar(e)	
	1621 7535 24		ZR 300 50Hz 8.6bar(e)	
	1616 6235 13		ZR 300 50Hz 10bar(e)	
	1616 6235 17		ZR 300 60Hz 8.6bar(e)	
	1616 6235 18		ZR 300 60Hz 10.4bar(e)	
	1616 6235 09		ZR 315 50Hz 7.5bar(e)	
	1616 6235 20		ZR 315 50Hz 8.6bar(e)	
	1616 6235 11		ZR 315 50Hz 10bar(e)	
	1616 6235 16		ZR 315 60Hz 10.4bar(e)	
	1616 6234 10		ZR 315 60Hz 8.6bar(e)	
	1616 6235 16		ZR 315 60Hz 10.4bar(e)	
	1616 6235 06		ZR 355 50Hz 7.5bar(e)	
	1616 6235 08		ZR 355 50Hz 8.6bar(e)	
	1616 6235 09		ZR 355 50Hz 10bar(e)	
	1616 6235 11		ZR 355 60Hz 8.6bar(e)	
	1616 6235 13		ZR 355 60Hz 10.4bar(e)	
	1616 6235 04		ZR 400 50Hz 7.5bar(e)	
	1616 6235 23		ZR 400 50Hz 8.6bar(e)	
	1616 6235 06		ZR 400 50Hz 10bar(e)	
	1616 6235 09		ZR 400 60Hz 8.6bar(e)	
	1616 6235 11		ZR 400 60Hz 10.4bar(e)	
	1616 6234 22		ZR 425 50Hz 7.5bar(e)	
	1616 6235 21		ZR 425 50Hz 8.6bar(e)	
	1616 6235 06		ZR 425 60Hz 8.6bar(e)	
5016	0211 1479 00	8	Cap screw	
5020		1	Gear wheel	
	1616 6238 06		ZR 300 50Hz 7.5bar(e)	
	1616 6238 08		ZR 300 50Hz 8.6bar(e)	
	1616 6238 11		ZR 300 50Hz 10bar(e)	
	1616 6238 10		ZR 300 60Hz 8.6bar(e)	
	1616 6238 13		ZR 300 60Hz 10.4bar(e)	
	1616 6238 05		ZR 315 50Hz 7.5bar(e)	
	1616 6238 07		ZR 315 50Hz 8.6bar(e)	
	1616 6238 08		ZR 315 50Hz 10bar(e)	
	1616 6238 08		ZR 315 60Hz 8.6bar(e)	
	1616 6238 12		ZR 315 60Hz 10.4bar(e)	
	1616 6238 03		ZR 355 50Hz 7.5bar(e)	
	1616 6238 04		ZR 355 50Hz 8.6bar(e)	
	1616 6238 07		ZR 355 50Hz 10bar(e)	
	1616 6238 06		ZR 355 60Hz 8.6bar(e)	
	1616 6238 11		ZR 355 60Hz 10.4bar(e)	
	1616 6238 02		ZR 400 50Hz 7.5bar(e)	
	1621 5099 14		ZR 400 50Hz 8.6bar(e)	
	1616 6238 04		ZR 400 50Hz 10bar(e)	
	1616 6238 05		ZR 400 60Hz 8.6bar(e)	
	1616 6238 08		ZR 400 60Hz 10.4bar(e)	
	1616 6238 01		ZR 425 50Hz 7.5bar(e)	
	1616 6238 03		ZR 425 50Hz 8.6bar(e)	
	1616 6238 03		ZR 425 60Hz 8.6bar(e)	
6105	0686 3716 01	1	Nipple	
6110	0661 1000 25	1	Seal washer	

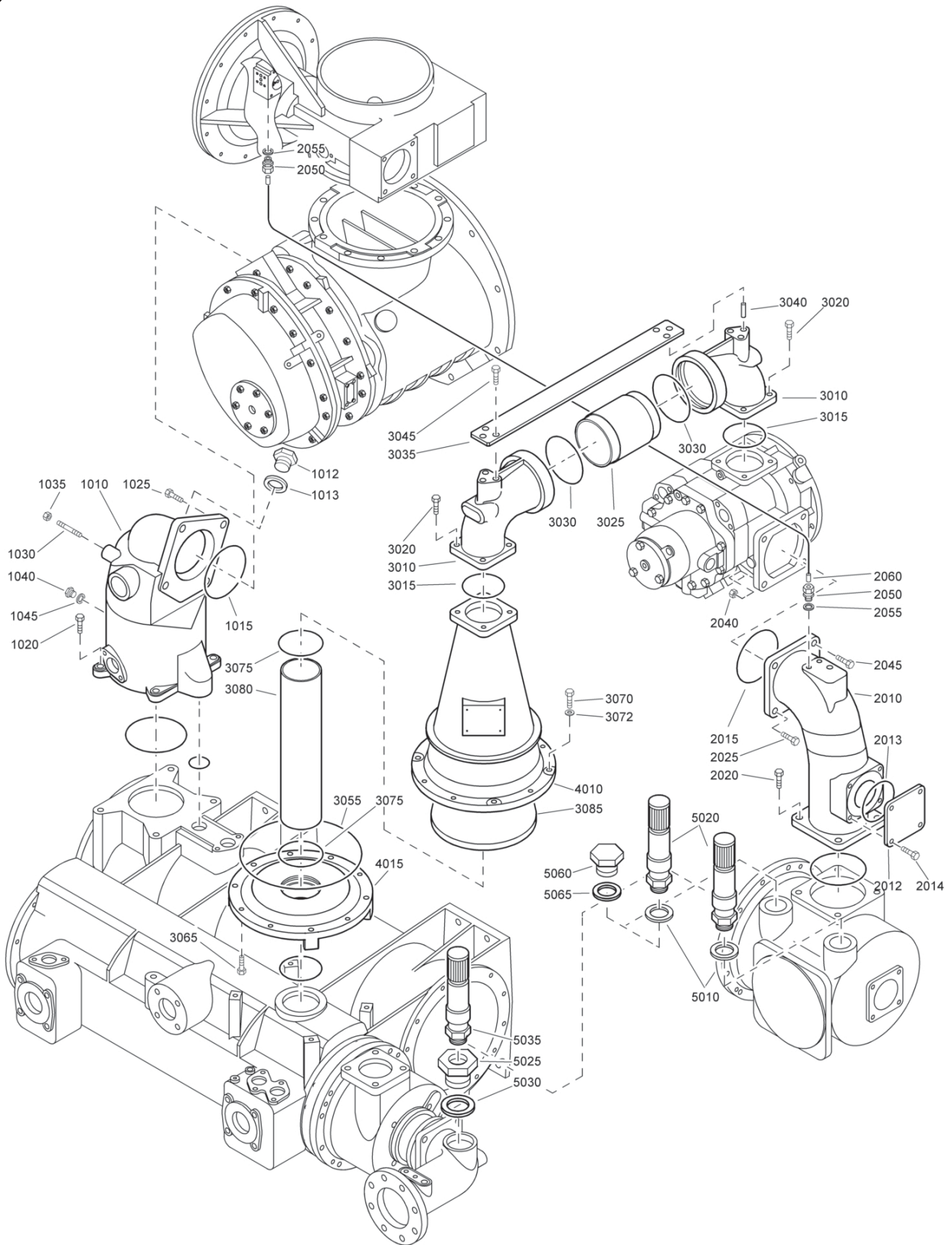
2



Air inlet

Ref.	Part number	Qty	Name	Remarks	Ref.	Part number	Qty	Name	Remarks
1010	1621 1501 81	1	Valve housing		1160	2253 7390 00	2	Seal	
1015	0663 2108 58	1	O-ring		1165	0502 7404 00	1	Bearing	
1020	0147 1477 03	4	Bolt		1170	0508 1154 00	1	Roller bearing	
1025	1619 6151 00	2	Bearing		1175	1614 8899 00	1	Stud	
1030	1621 1595 00	1	Piston		1180	2253 7391 00	2	Washer	
1035	2102 0836 00	1	Spring		1182	0304 1008 00	2	Conical seat	
1040	2102 0604 00	1	Valve-hp inload		1183	0304 1058 00	2	Spherical washe	
1045	0335 1104 21	1	Circlip		1185	0266 2112 00	2	Nut	
1050	1621 1593 00	1	Valve cover		1190	1614 8898 00	2	Cover	
1055	0663 2108 37	1	O-ring		1195	0147 1367 03	4	Bolt	
1060	1621 1663 00	1	Diaphragm		1200	1621 4028 00	1	Bolt	
1065	0147 1364 03	12	Bolt		1205	0261 1099 29	1	Nut	
1070	1621 1714 00	1	Valve base		1210	1621 6026 00	1	Valve seat	
1075	0663 2108 37	1	O-ring		1215	0663 2108 65	1	O-ring	
1080	0663 2108 64	2	O-ring		1232	1621 6332 00	2	Gasket	
1085	1621 1715 00	1	Membrane		1240	0147 1402 03	8	Bolt	
1090	1621 1716 00	1	Membrane		1260	0686 6130 00	1	Plug	
1095	0147 1257 03	6	Bolt		2010	1092 1602 80	1	Pipe	
1100	0686 3716 02	1	Plug		2015	1092 1602 81	1	Pipe	
1105	0661 1000 27	1	Seal washer		2020	0650 0100 34	1	Gasket	
1110	9090 0508 00	1	Damper		2025	1092 1602 83	1	Strainer	
1116	0686 3716 01	1	Plug		2030	1092 1602 78	1	Compensator	
1121	0661 1000 25	1	Seal washer		2035	1621 1668 00	1	Clamp	
1130	2255 0020 00	1	Valve		2040	0686 3716 01	1	Nipple	
1135	2253 7396 00	1	Bear. block		2045	0661 1000 25	1	Seal washer	
1140	2255 0148 00	1	Shaft		2050	0686 4203 00	1	Nipple	
1145	2255 1182 00	2	Washer		2055	0661 1000 25	1	Seal washer	
1147	2255 0038 00	1	Locknut		2060	1613 1249 11	2	Hose clamp	
1150	1621 6463 00	2	Pivot		2100	1621 6106 00	1	Strip	
1155	2253 7393 00	2	Washer		2110	0147 1632 03	12	Bolt M24	
					2115	0300 0276 24	12	Washer	

3

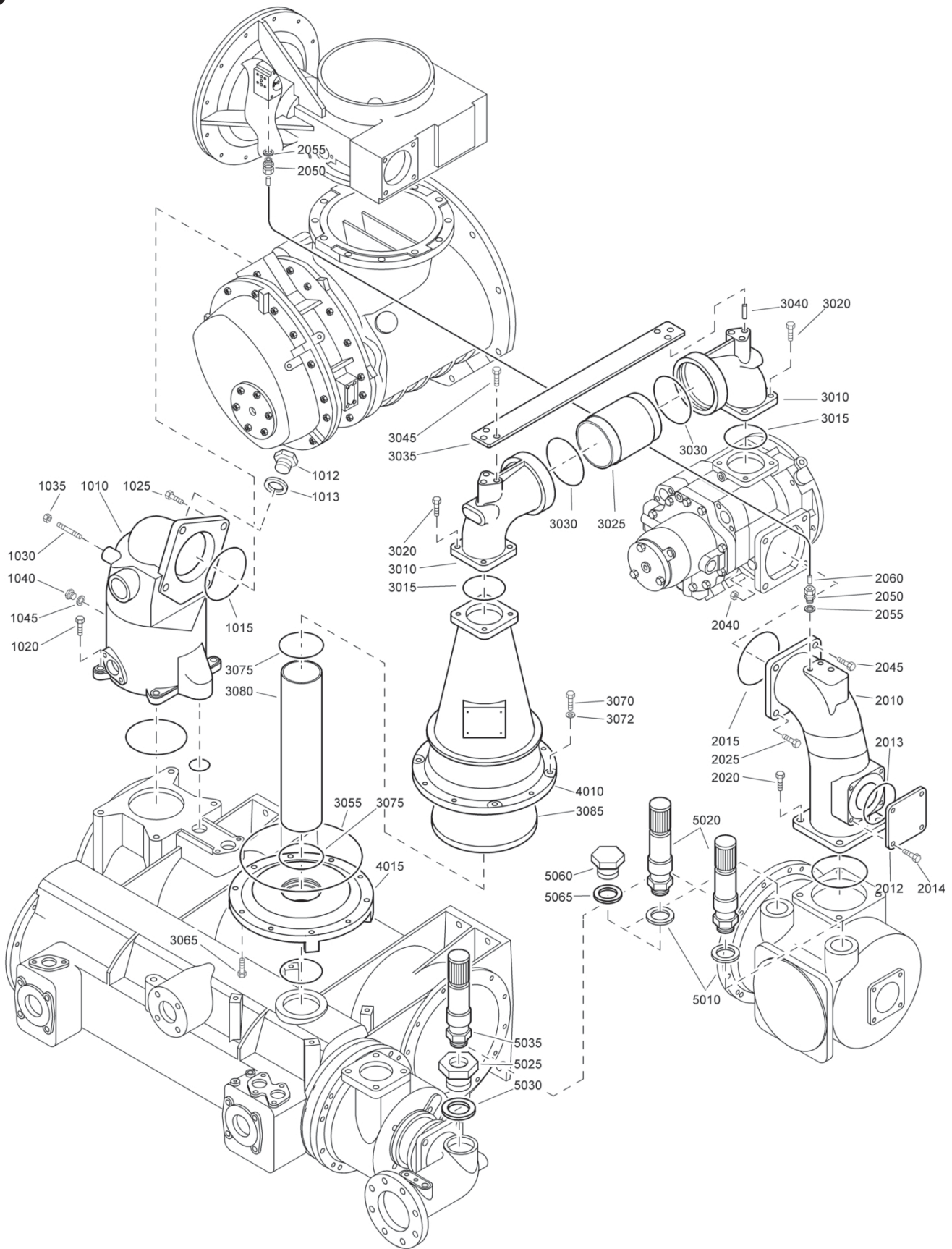


63089_02

Air flow

Ref.	Part number	Qty	Name	Remarks	Ref.	Part number	Qty	Name	Remarks
1010	1621 1599 11	1	Connection		0661	1000 33	2	ZR 315 50Hz 7.5bar With aftercooler	
1012	0686 3716 29	1	Plug		0661	1000 33	1	ZR 315 60Hz 10.4bar With aftercooler	
1013	0653 1293 00	1	Flat gasket		0661	1000 33	2	ZR 355 50Hz 7.5bar With aftercooler	
1015	0663 2107 75	1	O-ring		0661	1000 33	2	ZR 400 50Hz 7.5bar With aftercooler	
1020	0147 1962 35	4	Bolt		0661	1000 33	2	ZR 425 50Hz 7.5bar With aftercooler	
1025	0147 1552 03	2	Bolt		0661	1000 33	2	8.6bar With aftercooler	
1030	0246 1956 33	2	Stud		5020			Safety valve	
1035	0266 2116 00	2	Nut		0830	1008 24	2	ZR 300 50Hz 7.5bar With aftercooler	
1040	0686 3716 01	1	Plug		0830	1008 24	1	ZR 300 50Hz 10bar With aftercooler	
1045	0661 1000 25	1	Seal washer		0830	1008 24	1	ZR 300 60Hz 10.4bar With aftercooler	
2010	1621 6300 02	1	Pipe		0830	1008 24	2	ZR 315 50Hz 7.5bar With aftercooler	
2012	1621 6657 00	1	Flange		0830	1008 24	1	ZR 315 60Hz 10.4bar With aftercooler	
2013	0663 2107 33	1	O-ring		0830	1008 24	2	ZR 355 50Hz 7.5bar With aftercooler	
2014	0147 1402 03	4	Bolt		0830	1008 24	2	ZR 400 50Hz 7.5bar With aftercooler	
2015	0663 2108 60	1	O-ring		0830	1008 24	2	ZR 425 50Hz 7.5bar With aftercooler	
2020	0147 1962 35	4	Bolt		0830	1008 24	2	8.6bar With aftercooler	
2025	0147 1481 03	2	Bolt		5025		1	Bushing	
2040	0266 2114 00	2	Nut		0605	8300 72		ZR 300 50Hz 7.5bar(e) With aftercooler	
2045	0147 1477 03	2	Bolt		0605	8300 80		ZR 300 50Hz 10bar(e) With aftercooler	
2050	0580 0013 86	2	Str.coupling		0605	8300 80		ZR 300 60Hz 10.4bar(e) With aftercooler	
2055	0661 1000 25	2	Seal washer		0605	8300 72		ZR 315 50Hz 7.5bar(e) With aftercooler	
2060	1621 6177 00	1	Pipe		0605	8300 80		ZR 315 60Hz 10.4bar(e) With aftercooler	
3010	1621 6030 00	2	Pipe		0605	8300 72		ZR 355 50Hz 7.5bar(e) With aftercooler	
3015	0663 2107 33	2	O-ring		0605	8300 70		ZR 400 50Hz 7.5bar(e) With aftercooler	
3020		8	Cap screw		0605	8300 72		ZR 425 50Hz 7.5bar(e) With aftercooler	
	0211 1965 15		ASME		0605	8300 72		8.6bar(e) With aftercooler	
	0211 1403 03		CE		5030	0661 1000 31	1	Seal washer	
	0211 1965 15		CHINA		0661	1000 32		ZR 300 50Hz 7.5bar(e) With aftercooler	
	0211 1965 15		DIR		0661	1000 31		ZR 300 50Hz 10bar(e) With aftercooler	
3025	1621 6027 00	1	Pipe		0661	1000 31		ZR 300 60Hz 10.4bar(e) With aftercooler	
3030	0663 2108 49	2	O-ring		0661	1000 32		ZR 315 50Hz 7.5bar(e) With aftercooler	
3035	1621 6022 01	1	Bracket		0661	1000 31		ZR 315 60Hz 10.4bar(e) With aftercooler	
3040	0101 1951 53	2	Pin		0661	1000 32		ZR 355 50Hz 7.5bar(e) With aftercooler	
3045	0147 1476 03	4	Bolt		0661	1000 31		ZR 400 50Hz 7.5bar(e) With aftercooler	
3055	0663 2108 50	1	O-ring		0661	1000 31		ZR 425 50Hz 7.5bar(e) With aftercooler	
3065	0147 1962 32	6	Bolt		0661	1000 31		8.6bar(e) With aftercooler	
3070		4	Bolt		5010			ZR 300 50Hz 7.5bar With aftercooler	
	0147 1964 49		ASME		0661	1000 33	2	ZR 300 50Hz 10bar With aftercooler	
	0147 1413 03		CE		0661	1000 33	1	ZR 300 60Hz 10.4bar With aftercooler	
	0147 1964 49		CHINA		0661	1000 33	1	ZR 300 60Hz 10.4bar With aftercooler	
	0147 1964 49		DIR		0661	1000 33	1	ZR 300 60Hz 10.4bar With aftercooler	
3072	0301 2358 00	4	Washer						
3075	0663 2107 33	2	O-ring						
3080	1621 6477 00	1	Silencer insert						
3085	1621 3926 00	1	Glass wool						
		1	Silencer						
	1621 6031 80		ASME						
	1621 6031 89		CE						
	1621 6031 80		CHINA						
	1621 6031 80		DIR						
4010	1621 6031 08	• 1	Silencer						
4015		• 1	Flange						
	1621 6032 08		ASME						
	1621 6032 48		CE						
	1621 6032 08		CHINA						
	1621 6032 08		DIR						
5010			Seal washer						
	0661 1000 33	2	ZR 300 50Hz 7.5bar With aftercooler						
	0661 1000 33	1	ZR 300 50Hz 10bar With aftercooler						
	0661 1000 33	1	ZR 300 60Hz 10.4bar With aftercooler						

3



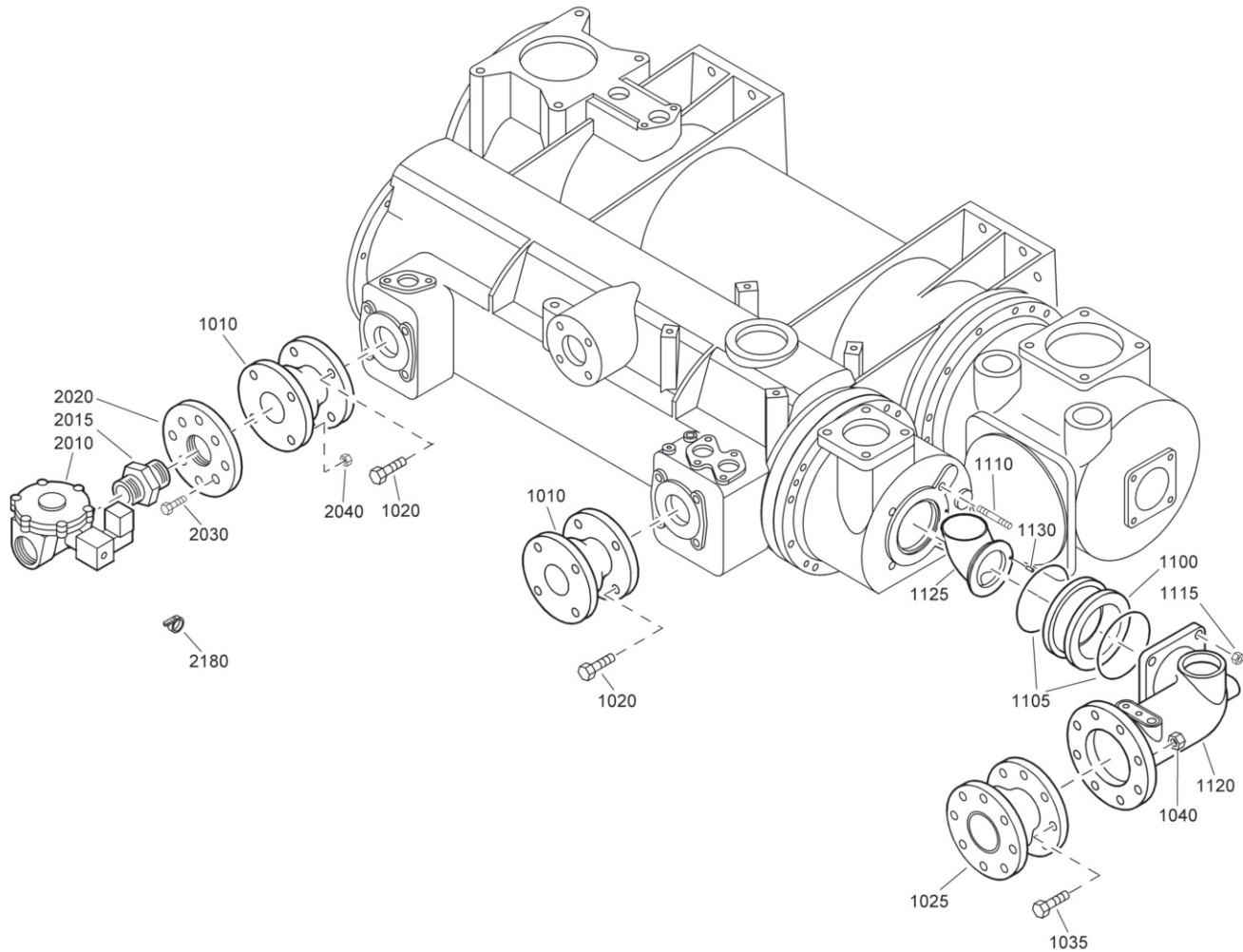
63089_02

Air flow

Ref.	Part number	Qty	Name	Remarks	Ref.	Part number	Qty	Name	Remarks
	0661 1000 33		ZR 425 50Hz 7.5bar(e) With aftercooler						
5035	0661 1000 32	1	8.6bar(e) With aftercooler						
	0830 1008 09		Safety valve						
	0830 1008 09		ZR 300 50Hz 7.5bar(e) With aftercooler						
	0830 1008 13		ZR 300 50Hz 10bar(e) With aftercooler						
	0830 1008 13		ZR 300 60Hz 10.4bar(e) With aftercooler						
	0830 1008 09		ZR 315 50Hz 7.5bar(e) With aftercooler						
	0830 1008 13		ZR 315 60Hz 10.4bar(e) With aftercooler						
	0830 1008 09		ZR 355 50Hz 7.5bar(e) With aftercooler						
	0830 1008 09		ZR 400 50Hz 7.5bar(e) With aftercooler						
	0830 1008 10		ZR 425 50Hz 7.5bar(e) With aftercooler						
5035		1	Safety valve						
	0830 1008 09		ZR 300 50Hz 7.5bar(e) With aftercooler						
	0830 1008 13		ZR 300 50Hz 10bar(e) With aftercooler						
	0830 1008 13		ZR 300 60Hz 10.4bar(e) With aftercooler						
	0830 1008 09		ZR 315 50Hz 7.5bar(e) With aftercooler						
	0830 1008 13		ZR 315 60Hz 10.4bar(e) With aftercooler						
	0830 1008 09		ZR 355 50Hz 7.5bar(e) With aftercooler						
	0830 1008 09		ZR 400 50Hz 7.5bar(e) With aftercooler						
	0830 1008 10		ZR 425 50Hz 7.5bar(e) With aftercooler						
	0830 1008 09		8.6bar(e) With aftercooler						
5060		1	Plug						
	0686 3716 29		ZR 300 50Hz 10bar(e) With aftercooler						
	0686 3716 29		ZR 300 60Hz 10.4bar(e) With aftercooler						
	0686 3716 29		ZR 315 60Hz 10.4bar(e) With aftercooler						
5065		1	Seal washer						
	0661 1000 33		ZR 300 50Hz 10bar(e) With aftercooler						
	0661 1000 33		ZR 300 60Hz 10.4bar(e) With aftercooler						
	0661 1000 33		ZR 315 60Hz 10.4bar(e) With aftercooler						

4

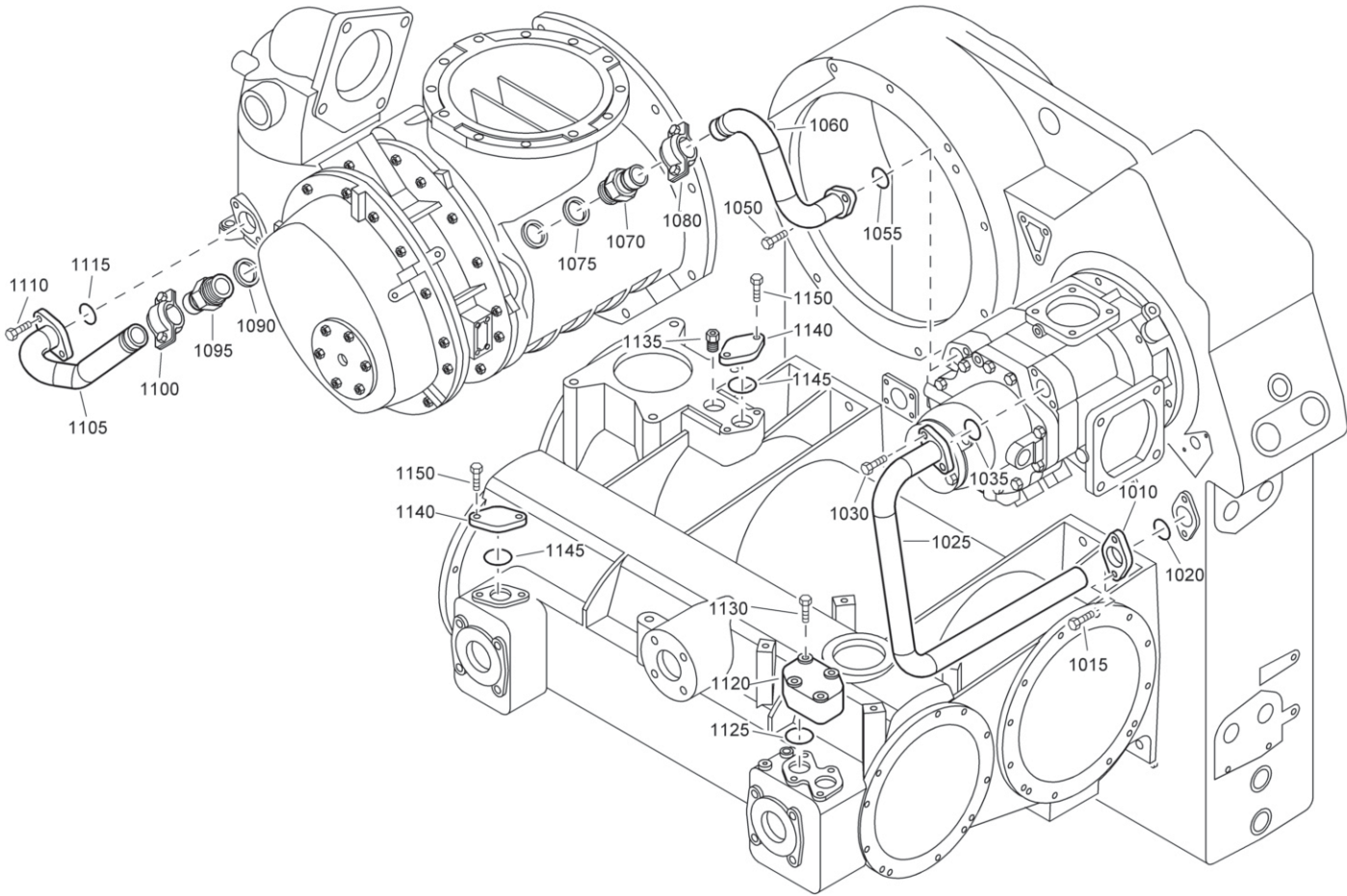
Air outlet - Water and air connections - With aftercooler



63111_04

Ref.	Part number	Qty	Name	Remarks	Ref.	Part number	Qty	Name	Remarks
1010	1621 6058 00	2	Compensator ANSI		1105	0663 2106 20	2	O-ring	
	1621 6021 00		DIN		1110	0246 1956 60	4	Stud	
1020	0147 1964 52	8	Bolt		1115	0261 1090 90	4	Nut	
1025	1619 7555 00	1	Compensator ANSI		1120	1621 6036 00	1	Pipe	
	1619 3120 01		DIN		1125	1621 4094 00	1	Pipe	
1035	0147 1964 53	8	Bolt		1130	0101 1951 76	1	Parallel pin	
1040	0291 1114 00	8	Locknut		2010	1089 0380 21	1	Solenoid valve	
1100	1621 1712 03	1	Check valve		2015	0603 4150 12	1	Hexagon nipple	
	1621 1735 00 •	2	Plates		2020	1621 6299 00	1	Flange	
	2906 0541 00 •	1	Overhaul kit		2030	0147 1481 03	4	Bolt	
					2040	0291 1114 00	4	Locknut	
					2180	1088 1301 02	20	Cable strip	

Water system - No ENergy REcovery

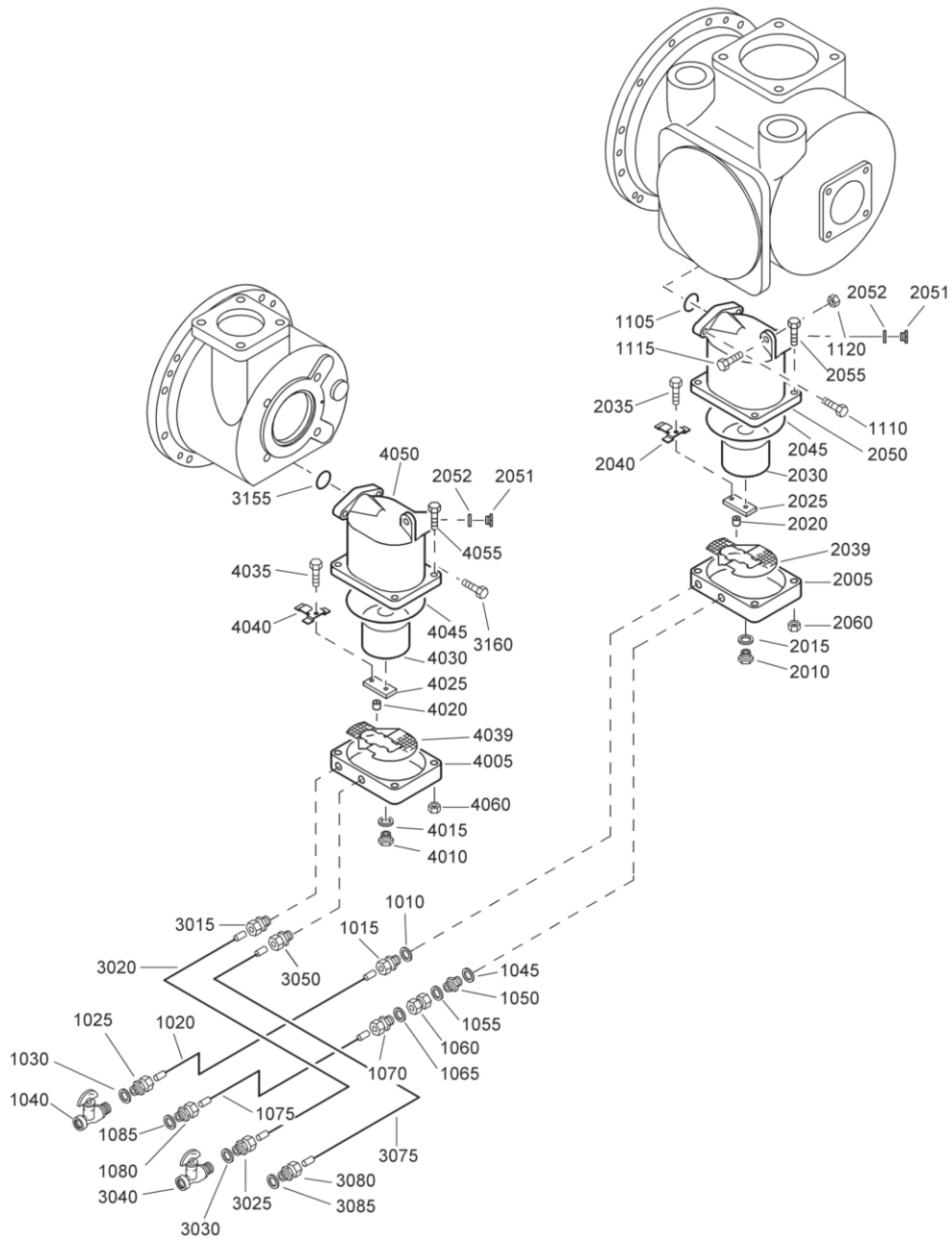


63117_06

63117_06

Ref.	Part number	Qty	Name	Remarks	Ref.	Part number	Qty	Name	Remarks
1010	1621 6054 00	1	Flange		1105	1621 6053 00	1	Pipe	
1015	0147 1402 03	2	Bolt		1110	0147 1402 03	2	Bolt	
1020	0663 2108 62	1	O-ring		1115	0663 2108 08	1	O-ring	
1025	1621 6048 00	1	Pipe		1120	1621 4085 00	1	Connection	
1030	0211 1413 03	2	Cap screw		1125	0663 2108 08	2	O-ring	
1035	0663 2108 62	1	O-ring		1130	0147 1962 34	4	Bolt	
1050	0211 1413 03	2	Cap screw		1135	1621 6020 00	1	Nipple	
1055	0663 2108 62	1	O-ring		1140	1621 1609 00	2	Flange	
1060	1621 6207 00	1	Pipe		1145	0663 2108 08	2	O-ring	
1070	1621 6045 00	1	Nipple		1150		4	Bolt	
1075	0661 1000 32	1	Seal washer			0147 1964 23		ASME	
1080	0634 1000 20	1	Pipe coupling			0147 1402 03		CE	
	0634 1000 26 •	1	Gasket			0147 1402 03		CHINA	
1090	0661 1000 32	1	Seal washer			0147 1402 03		DIR	
1095	1621 6045 00	1	Nipple						
1100	0634 1000 20	1	Pipe coupling						
	0634 1000 26 •	1	Gasket						

6



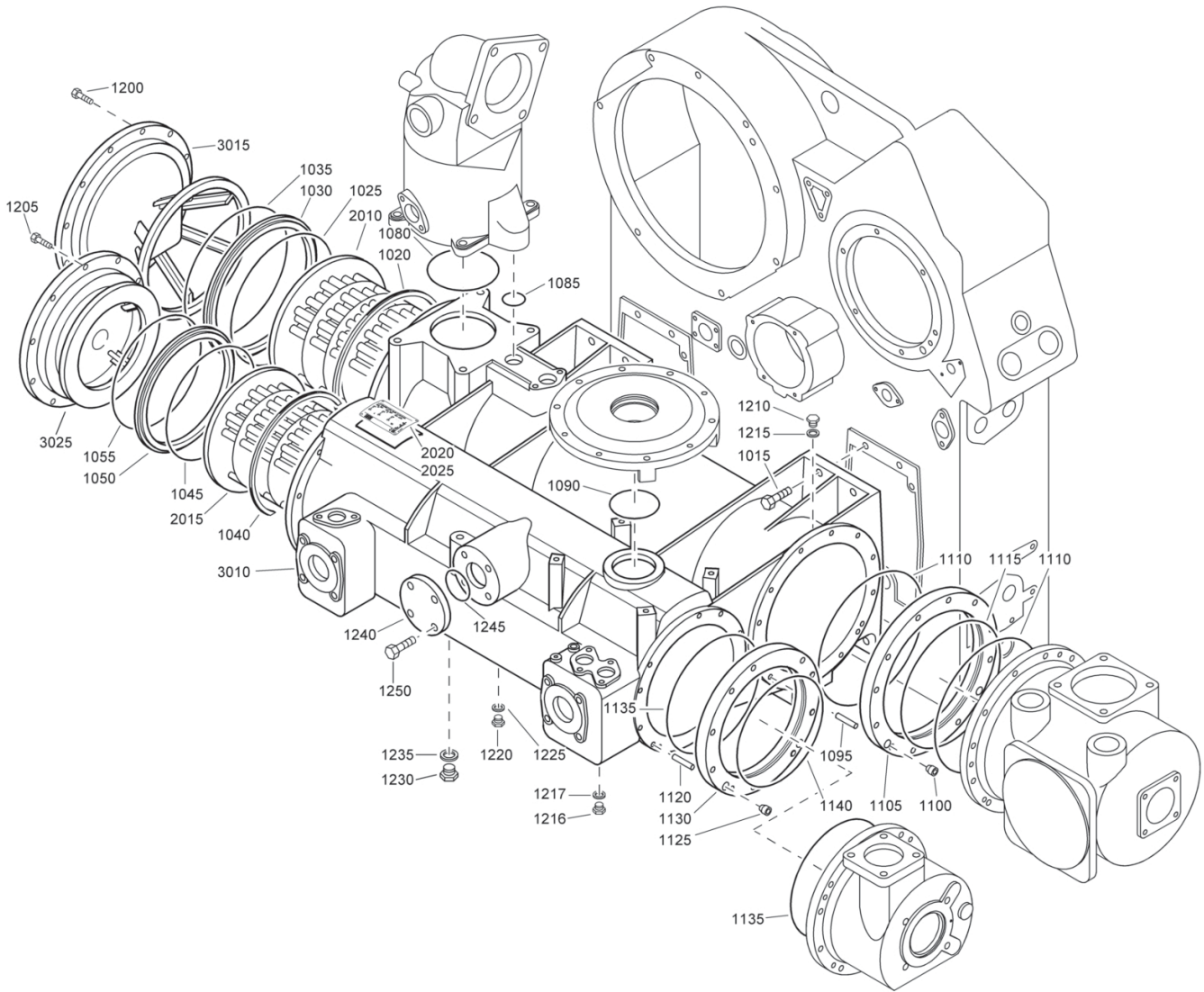
63105_07

Drain system

6

Ref.	Part number	Qty	Name	Remarks	Ref.	Part number	Qty	Name	Remarks
1010	0661 1000 27	1	Seal washer		2051	0686 3716 45 •	1	Hexagon plug	
1015	0581 0000 71	1	Pipe coupling		2052	0661 1000 27 •	1	Seal washer	
1020	0070 6002 13	AR	Plastic tube		2055	0147 1371 03 •	4	Bolt	
1025	0581 0000 71	1	Pipe coupling		2060	0266 2111 00 •	4	Nut	
1030	0661 1000 27	1	Seal washer		3015	0581 1200 38	1	Pipe coupling	
1040	0852 0010 14	1	Ball valve		3020	0070 6002 13	4	Plastic tube	
1045	0661 1000 27	1	Seal washer		3025	0581 0000 71	1	Pipe coupling	
1050	0603 4200 19	1	Hexagon nipple		3030	0661 1000 27	1	Seal washer	
1055	0661 1000 27	1	Seal washer		3040	0852 0010 14	1	Ball valve	
1060	8204 0940 34	1	Valve		3050	0581 1200 38	1	Pipe coupling	
1065	0661 1000 27	1	Seal washer		3075	0070 6002 13	4	Plastic tube	
1070	0581 0000 71	1	Pipe coupling		3080	0581 0000 71	1	Pipe coupling	
1075	0070 6002 13	6	Plastic tube		3085	0661 1000 27	1	Seal washer	
1080	0581 0000 71	1	Pipe coupling		3155	0663 2107 82	1	O-ring	
1085	0661 1000 27	1	Seal washer		3160	0211 1965 14	2	Cap screw	
1105	0663 2107 82	1	O-ring			1621 3177 81	1	Drain valve	
1110	0211 1965 14	2	Cap screw		4005	1621 3097 00 •	1	Valve base	
1115	0147 1364 03	1	Bolt		4010	0686 3716 44 •	1	Hexagon plug	
1120	0266 2111 00	1	Nut		4015	0661 1000 25 •	1	Seal washer	
	1621 3177 80	1	Drain valve		4020	1614 7735 00 •	1	Insert	
2005	1621 3097 00 •	1	Valve base		4025	1202 3739 00 •	1	Membrane	
2010	0686 3716 44 •	1	Hexagon plug		4030	1202 3825 00 •	1	Float	
2015	0661 1000 25 •	1	Seal washer		4035	0147 1962 65 •	1	Bolt	
2020	1202 4818 00 •	1	Insert		4039	1621 3746 00 •	1	Strainer	
2025	1202 3739 00 •	1	Membrane		4040	1621 3747 00 •	1	Clamp	
2030	1202 3825 00 •	1	Float		4045	0663 2107 85 •	1	O-ring	
2035	0147 1962 65 •	1	Bolt		4050	1621 3177 00 •	1	Valve housing	
2039	1621 3746 00 •	1	Strainer		4051	0686 3716 45 •	1	Hexagon plug	
2040	1621 3747 00 •	1	Clamp		4052	0661 1000 27 •	1	Seal washer	
2045	0663 2107 85 •	1	O-ring		4055	0147 1371 03 •	4	Bolt	
2050	1621 3177 00 •	1	Valve housing		4060	0266 2111 00 •	4	Nut	

7

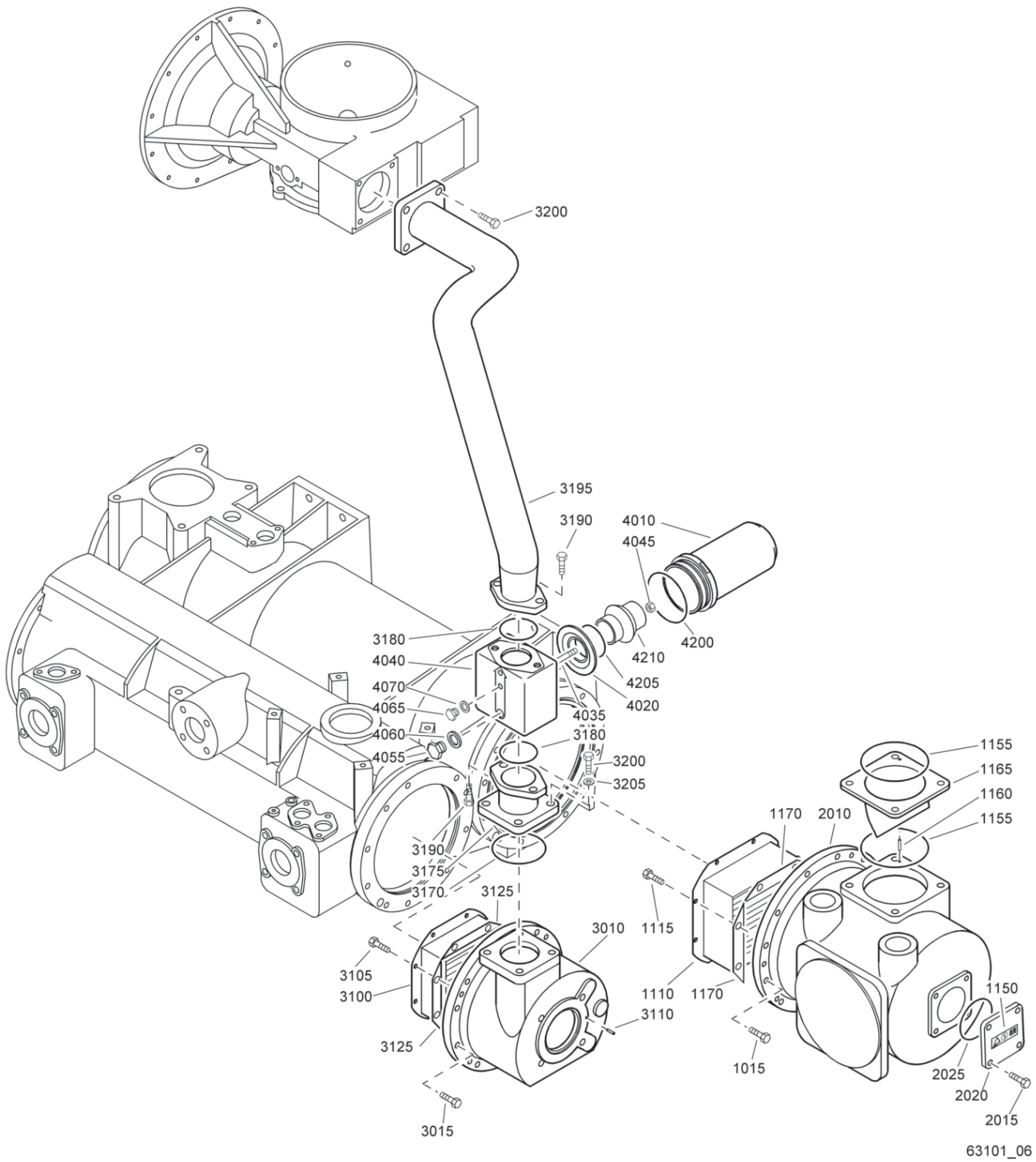


63095_04

Coolers - With aftercooler

Ref.	Part number	Qty	Name	Remarks	Ref.	Part number	Qty	Name	Remarks
1015	0147 1962 35	8	Bolt		1245	0663 2107 74	1	O-ring	
1020	1621 6428 03	1	Seal		1250	0147 1477 03	4	Bolt	
1025	0663 2107 63	1	O-ring				1	Core & casing	
1030	1621 1787 00	1	Ring			1621 6005 82		ASME	
1035	0663 2107 63	1	O-ring			1621 6005 80		CE	
1040	1621 6814 00	1	Seal			1621 6005 80		CHINA	
1045	0663 2108 48	1	O-ring			1621 6005 85		DIR	
1050	1621 6023 00	1	Ring		2010		• 1	Cooler core	
1055	0663 2108 48	1	O-ring			1621 7005 02		ASME	
1080	0663 2107 75	1	O-ring			1621 7005 08		CE	
1085	0663 2108 08	1	O-ring			1621 7005 08		CHINA	
1090	0663 2107 79	1	O-ring			1621 7005 02		DIR	
1095	0101 1951 51	2	Pin		2015		• 1	Cooler core	
1100	1621 3063 00	2	Ring			1621 7004 02		ASME	
1105	1621 6017 00	1	Ring			1621 7004 08		CE	
1110	0663 2107 61	2	O-ring			1621 7004 08		CHINA	
1115	0663 2109 76	1	O-ring			1621 7004 02		DIR	
1120	0101 1951 51	2	Pin		2020		• 1	Data plate	
1125	1621 3063 00	2	Ring			1621 4098 00		ASME	
1130	1621 6175 00	1	Ring		2025		• 4	Drive screw	
1135	0663 2108 39	2	O-ring			0244 4184 00		ASME	
1140	0663 2107 56	1	O-ring				• 1	Shell+ cover	
1200	0147 1962 32	12	Bolt			1621 6014 82		ASME	
1205	0147 1962 32	10	Bolt			1621 6004 89		CE	
1210	0686 3716 01	2	Plug			1621 6004 89		CHINA	
1215	0661 1000 25	2	Seal washer			1621 6014 85		DIR	
1216		2	Plug		3010		•• 1	Cooler shell	
	0686 3716 01		ASME			1621 6005 48		CE	
	0686 3716 01		CE			1621 6005 48		CHINA	
	0686 3716 01		CHINA			1621 6005 05		DIR	
1217		2	Seal washer		3015		•• 1	Cover	
	0661 1000 25		ASME			1621 1788 48		CE	
	0661 1000 25		CE			1621 1788 48		CHINA	
	0661 1000 25		CHINA			1621 1788 05		DIR	
1220	0686 3716 02	1	Plug		3025		•• 1	Cover	
1225	0661 1000 27	1	Seal washer			1621 6014 48		CE	
1230	0686 3716 10	2	Plug			1621 6014 48		CHINA	
1235	0661 1000 32	2	Seal washer			1621 6014 05		DIR	
1240	1621 6019 00	1	Flange						

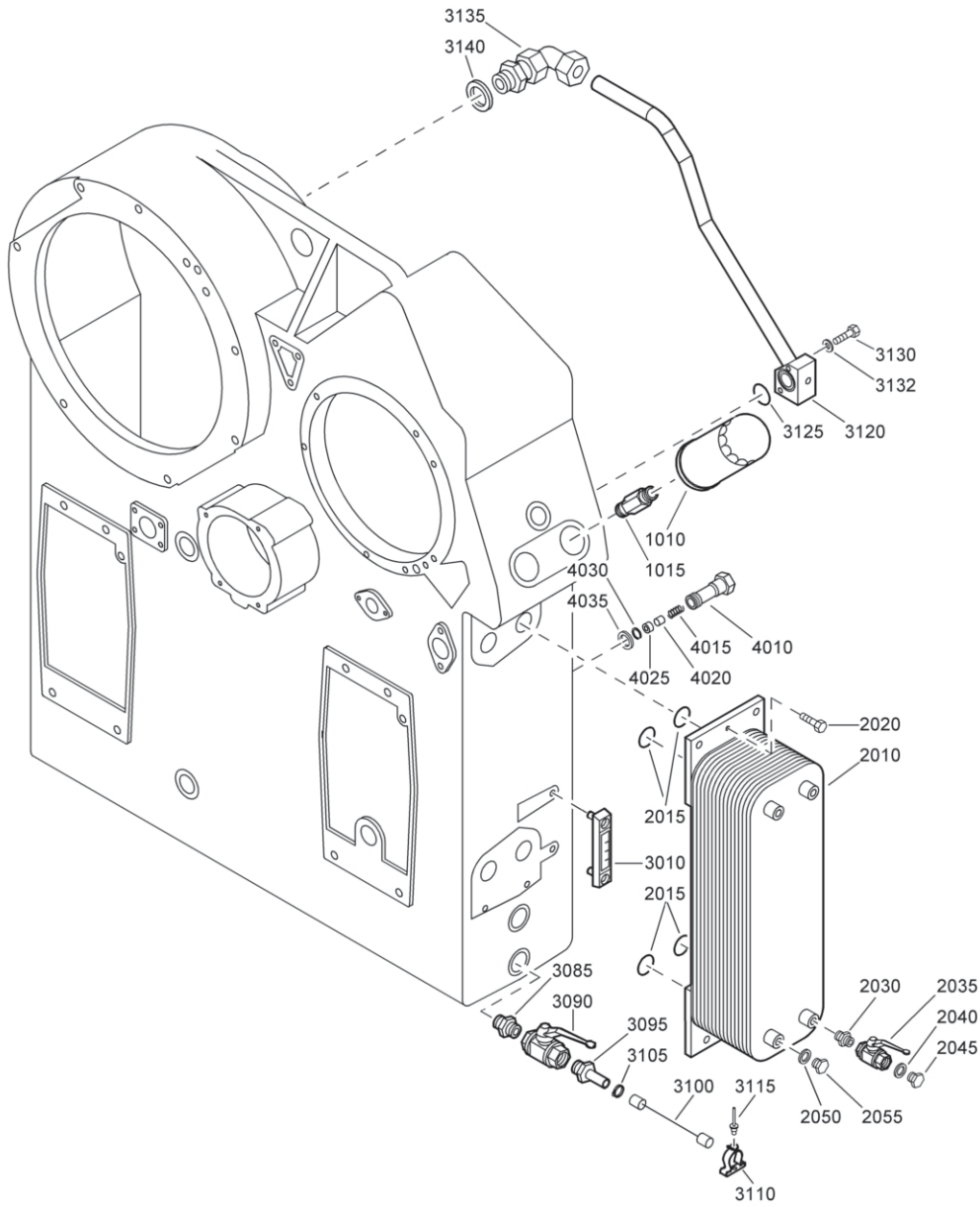
8



Coolers - Water separator parts - With aftercooler

Ref.	Part number	Qty	Name	Remarks	Ref.	Part number	Qty	Name	Remarks
1015	0147 1962 34	12	Bolt		3015	0147 1962 34	10	Bolt	
1110	1621 6276 00	1	Water separator		3100	1621 6277 00	1	Water separator	
1115	0147 1960 58	8	Bolt		3105	0147 1960 58	8	Bolt	
1150	1079 9905 49	1	Label		3110	0101 2274 00	1	Pin	
1155	0663 2108 60	2	O-ring		3125	1621 6315 00	4	Seal	
1160	0101 2274 00	1	Pin		3170	0663 2108 66	1	O-ring	
1165	1621 6297 00	1	Pipe		3175	1621 6400 00	1	Pipe	
1170	1621 6316 00	4	Seal		3180	0663 2107 94	2	O-ring	
		1	Vessel		3190	0147 1476 03	4	Bolt	
	1621 6169 82		ASME		3195	1621 6331 00	1	Pipe	
	1621 6169 82		CE		3200		8	Bolt	
	1621 6169 28		CHINA			0147 1964 52		ASME	
	1621 6169 85		DIR			0147 1478 03		CE	
2010		• 1	Vessel			0147 1478 03		CHINA	
	1621 6169 02		ASME			0147 1478 03		DIR	
	1621 6169 02		CE		3205	0301 2378 00	4	Washer	
	1621 6169 18		CHINA			1613 9370 81	1	Water separator	
	1621 6169 05		DIR		4010	1621 6404 00	• 1	Bowl	
2015		• 4	Bolt		4020	1613 9390 00	• 1	Swirler	
	0147 1962 31		ASME		4035	1613 9671 00	• 1	Tie rod	
	0147 1962 31		CE		4040	1613 9370 00	• 1	Head	
	0147 1402 03		CHINA		4045	0291 1111 00	• 1	Lock nut	
	0147 1402 03		DIR		4055	0686 3716 02	• 1	Plug	
2020		• 1	Cover		4060	0661 1000 27	• 1	Seal washer	
	1621 3330 02		ASME		4065	0686 3716 01	• 2	Plug	
	1621 3330 02		CE		4070	0661 1000 25	• 2	Seal washer	
	1621 3059 00		CHINA		4200	0663 6147 00	• 1	O-ring	
	1621 3059 00		DIR		4205		• 1	O-ring	
2025	0663 2107 25	• 1	O-ring		4210		• 1	Impringer	
3010		1	Vessel						
	1621 6033 02		ASME						
	1621 6033 02		CE						
	1621 6033 02		CHINA						
	1621 6033 05		DIR						

9

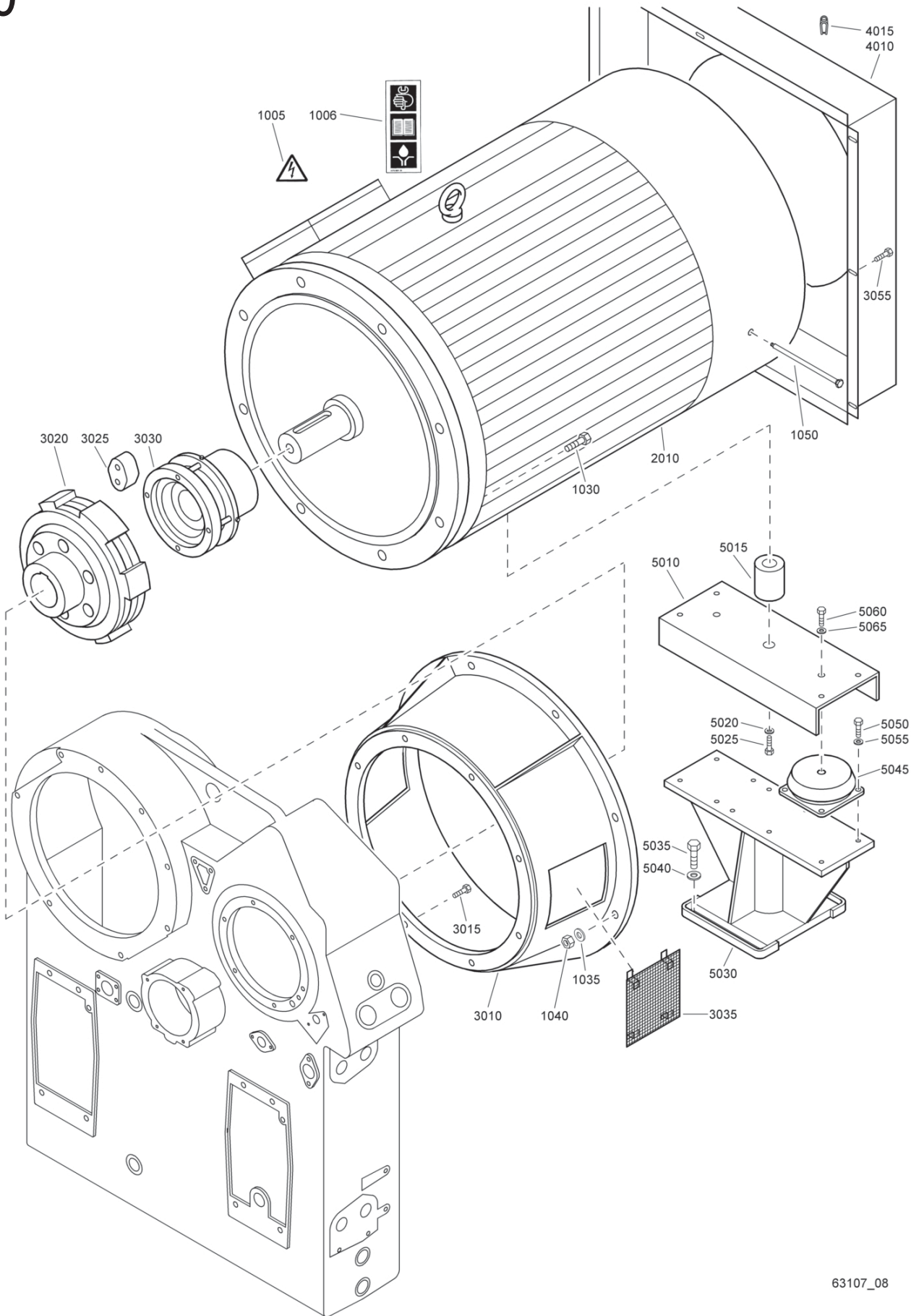


63093_05

Oil system - With Single Oil filter

Ref.	Part number	Qty	Name	Remarks	Ref.	Part number	Qty	Name	Remarks
1010	1614 8747 00	2	Oil filter		3110	1079 3461 01	1	Clamp	
1015	1621 4024 00	2	Nipple		3115	0129 3107 00	1	Blind rivet	
2010	1621 6001 01	1	Oil cooler		3120	1621 6363 00	1	Pipe	
2015	0663 2108 08	4	O-ring		3125	0663 2107 81	1	O-ring	
2020	0147 1962 30	4	Bolt		3130	0147 1332 03	2	Bolt	
2030	0603 5105 03	1	Hexagon nipple		3132	0301 2335 00	2	Washer	
2035	8202 0310 04	1	Ball valve		3135	0580 2501 17	1	Pipe coupling	
2040	0661 1000 25	1	Seal washer		3140	0661 1000 30	1	Seal washer	
2045	0686 3716 01	1	Plug		4010		1	Plug	
2050	0661 1000 27	3	Seal washer			1621 6366 04		50Hz	
2055	0686 3716 02	3	Plug			1621 6366 05		60Hz	
3010	1621 6002 00	1	Level indicator		4015	1621 7254 00	1	Spring	
3085	0603 5120 03	1	Hexagon nipple		4020	1621 6099 00	1	Piston	
3090	1619 6153 06	1	Ball valve		4025	1621 6101 00	1	Orifice	
3095	9000 0246 00	1	Hose nipple		4030	0335 2120 00	1	Circlip	
3100	0075 4005 52	14	Hose		4035	0661 1000 29	1	Seal washer	
3105	0347 6109 00	1	Hose clip						

10

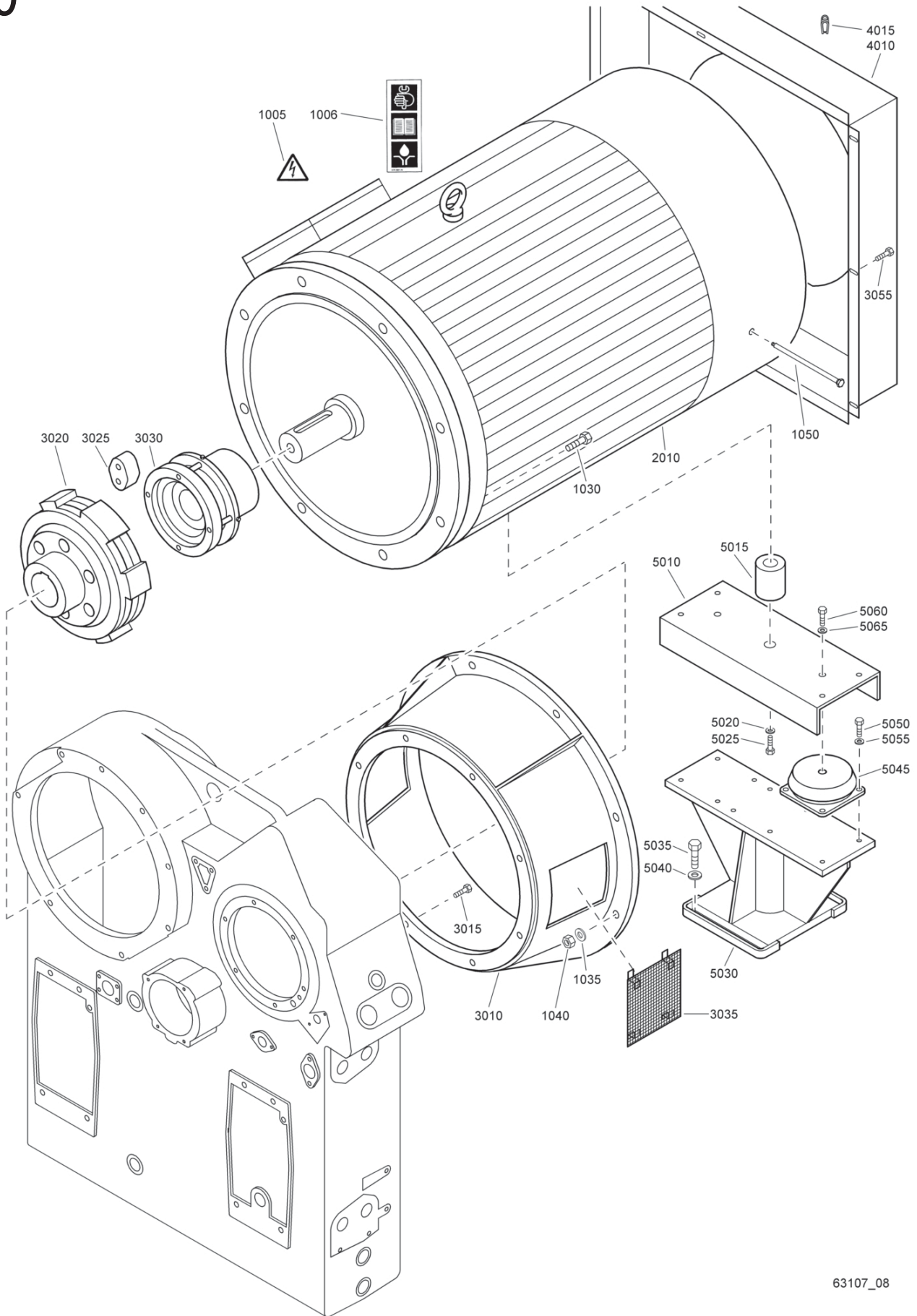


63107_08

Drive arrangement - Arrangement E - Low Voltage / Without motor

Ref.	Part number	Qty	Name	Remarks	Ref.	Part number	Qty	Name	Remarks
1005	1088 1001 04	1	Warning mark		1080 2849 86			ZR 400 380V/50Hz IEC	
1006	1079 9901 29	1	Label		1080 2849 82			ZR 400 400V/50Hz IEC	
1030	0147 1557 03	8	Bolt		1080 2848 82			ZR 400 460V/60Hz CSA/UL	
1035	0301 2394 00	8	Washer		1080 2849 84			ZR 400 500V/50Hz IEC	
1040	0266 2116 00	8	Nut		1080 2848 84			ZR 400 575V/60Hz CSA/UL	
1050	1614 8130 00	1	Nipple		1080 2850 76			ZR 425 380V/50Hz IEC	
2010		1	Motor		1080 2850 72			ZR 425 400V/50Hz IEC	
			Basic version		1080 2849 82			ZR 425 460V/60Hz CSA/UL	
	1092 0947 06		ZR 300 380V/50Hz IEC		1080 2850 74			ZR 425 500V/50Hz IEC	
	1080 2847 99		ZR 300 440V/60Hz IEC		1080 2849 84			ZR 425 575V/60Hz CSA/UL	
	1092 0947 06		ZR 315 380V/50Hz IEC					With Anti condensation	
	1080 2847 99		ZR 315 440V/60Hz IEC					heaters	
	1092 0948 04		ZR 355 380V/50Hz IEC					and PT1000s in windings	
	1080 2848 88		ZR 355 440V/60Hz IEC		1080 2847 75			ZR 300 380V/50Hz IEC	
	1092 0949 03		ZR 400 380V/50Hz IEC		1080 2847 76			ZR 300 400V/50Hz IEC	
	1080 2849 88		ZR 400 440V/60Hz IEC		1080 2847 76			ZR 300 460V/60Hz CSA/UL	
	1092 0950 01		ZR 425 380V/50Hz IEC		1080 2847 77			ZR 300 500V/50Hz IEC	
	1080 2849 88		ZR 425 440V/60Hz IEC		1080 2847 77			ZR 300 575V/60Hz CSA/UL	
			With Anti condensation		1080 2847 75			ZR 315 380V/50Hz IEC	
			heaters		1080 2847 76			ZR 315 400V/50Hz IEC	
	1080 2847 75		ZR 300 380V/50Hz IEC		1080 2847 76			ZR 315 460V/60Hz CSA/UL	
	1080 2847 76		ZR 300 400V/50Hz IEC		1080 2847 77			ZR 315 500V/50Hz IEC	
	1080 2847 76		ZR 300 460V/60Hz CSA/UL		1080 2847 77			ZR 315 575V/60Hz CSA/UL	
	1080 2847 77		ZR 300 500V/50Hz IEC		1080 2848 86			ZR 355 380V/50Hz IEC	
	1080 2847 77		ZR 300 575V/60Hz CSA/UL		1080 2848 82			ZR 355 400V/50Hz IEC	
	1080 2847 75		ZR 315 380V/50Hz IEC		1080 2847 76			ZR 355 460V/60Hz CSA/UL	
	1080 2847 76		ZR 315 400V/50Hz IEC		1080 2848 84			ZR 355 500V/50Hz IEC	
	1080 2847 76		ZR 315 460V/60Hz CSA/UL		1080 2847 77			ZR 355 575V/60Hz CSA/UL	
	1080 2847 77		ZR 315 500V/50Hz IEC		1080 2849 86			ZR 400 380V/50Hz IEC	
	1080 2847 77		ZR 315 575V/60Hz CSA/UL		1080 2849 82			ZR 400 400V/50Hz IEC	
	1080 2848 86		ZR 355 380V/50Hz IEC		1080 2848 82			ZR 400 460V/60Hz CSA/UL	
	1080 2848 82		ZR 355 400V/50Hz IEC		1080 2849 84			ZR 400 500V/50Hz IEC	
	1080 2847 76		ZR 355 460V/60Hz CSA/UL		1080 2848 84			ZR 400 575V/60Hz CSA/UL	
	1080 2848 84		ZR 355 500V/50Hz IEC		1080 2850 76			ZR 425 380V/50Hz IEC	
	1080 2847 77		ZR 355 575V/60Hz CSA/UL		1080 2850 72			ZR 425 400V/50Hz IEC	
	1080 2849 86		ZR 400 380V/50Hz IEC		1080 2849 82			ZR 425 460V/60Hz CSA/UL	
	1080 2849 82		ZR 400 400V/50Hz IEC		1080 2850 74			ZR 425 500V/50Hz IEC	
	1080 2848 82		ZR 400 460V/60Hz CSA/UL		1080 2849 84			ZR 425 575V/60Hz CSA/UL	
	1080 2849 84		ZR 400 500V/50Hz IEC					With Anti condensation	
	1080 2848 84		ZR 400 575V/60Hz CSA/UL					heaters	
	1080 2850 76		ZR 425 380V/50Hz IEC					and PT1000s in bearings	
	1080 2850 72		ZR 425 400V/50Hz IEC		1080 2847 75			ZR 300 380V/50Hz IEC	
	1080 2849 82		ZR 425 460V/60Hz CSA/UL		1080 2847 76			ZR 300 400V/50Hz IEC	
	1080 2850 74		ZR 425 500V/50Hz IEC		1080 2847 76			ZR 300 460V/60Hz CSA/UL	
	1080 2849 84		ZR 425 575V/60Hz CSA/UL		1080 2847 77			ZR 300 500V/50Hz IEC	
			With Anti condensation		1080 2847 77			ZR 300 575V/60Hz CSA/UL	
			heaters		1080 2847 75			ZR 315 380V/50Hz IEC	
			and PT1000s in windings and		1080 2847 76			ZR 315 400V/50Hz IEC	
			bearings		1080 2847 76			ZR 315 460V/60Hz CSA/UL	
	1080 2847 75		ZR 300 380V/50Hz IEC		1080 2847 77			ZR 315 500V/50Hz IEC	
	1080 2847 76		ZR 300 400V/50Hz IEC		1080 2847 77			ZR 315 575V/60Hz CSA/UL	
	1080 2847 76		ZR 300 460V/60Hz CSA/UL		1080 2848 86			ZR 355 380V/50Hz IEC	
	1080 2847 77		ZR 300 500V/50Hz IEC		1080 2848 82			ZR 355 400V/50Hz IEC	
	1080 2847 77		ZR 300 575V/60Hz CSA/UL		1080 2847 76			ZR 355 460V/60Hz CSA/UL	
	1080 2847 75		ZR 315 380V/50Hz IEC		1080 2848 84			ZR 355 500V/50Hz IEC	
	1080 2847 76		ZR 315 400V/50Hz IEC		1080 2847 77			ZR 355 575V/60Hz CSA/UL	
	1080 2847 76		ZR 315 460V/60Hz CSA/UL		1080 2849 86			ZR 400 380V/50Hz IEC	
	1080 2847 77		ZR 315 500V/50Hz IEC		1080 2849 82			ZR 400 400V/50Hz IEC	
	1080 2847 77		ZR 315 575V/60Hz CSA/UL		1080 2848 82			ZR 400 460V/60Hz CSA/UL	
	1080 2848 86		ZR 355 380V/50Hz IEC		1080 2849 84			ZR 400 500V/50Hz IEC	
	1080 2848 82		ZR 355 400V/50Hz IEC		1080 2848 84			ZR 400 575V/60Hz CSA/UL	
	1080 2847 76		ZR 355 460V/60Hz CSA/UL		1080 2850 76			ZR 425 380V/50Hz IEC	
	1080 2848 84		ZR 355 500V/50Hz IEC		1080 2850 72			ZR 425 400V/50Hz IEC	
	1080 2847 77		ZR 355 575V/60Hz CSA/UL		1080 2849 82			ZR 425 460V/60Hz CSA/UL	

10



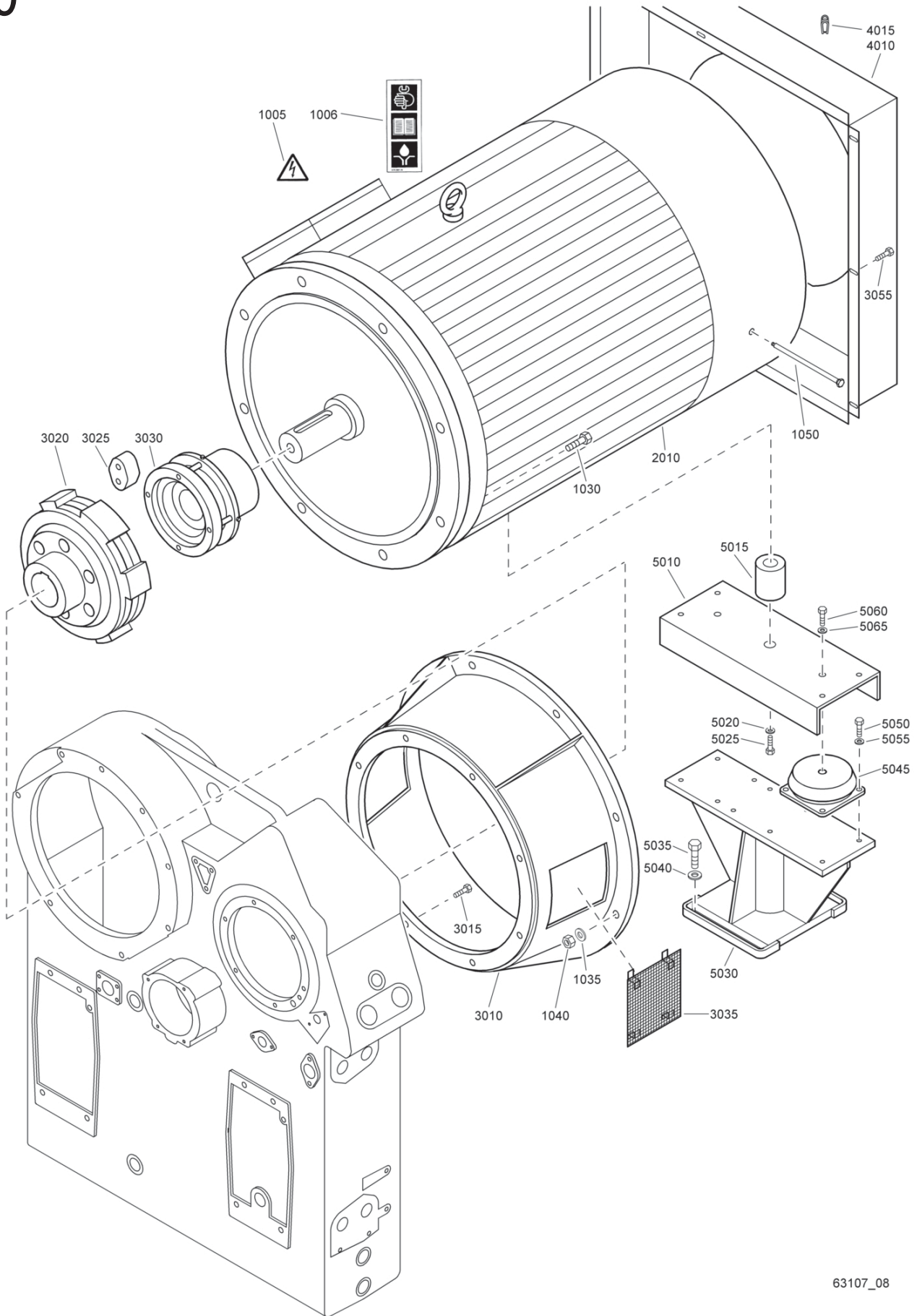
63107_08

Drive arrangement - Arrangement E - Low Voltage / Without motor

10

Ref.	Part number	Qty	Name	Remarks	Ref.	Part number	Qty	Name	Remarks
	1080 2850 74		ZR 425 500V/50Hz IEC			1080 2847 77		ZR 315 500V/50Hz IEC	
	1080 2849 84		ZR 425 575V/60Hz CSA/UL			1080 2847 77		ZR 315 575V/60Hz CSA/UL	
			Without Anti condensation heaters			1080 2848 86		ZR 355 380V/50Hz IEC	
	1080 2847 73		ZR 300 400V/50Hz IEC			1080 2848 82		ZR 355 400V/50Hz IEC	
	1080 2847 73		ZR 300 460V/60Hz CSA/UL			1080 2847 76		ZR 355 460V/60Hz CSA/UL	
	1080 2847 74		ZR 300 500V/50Hz IEC			1080 2848 84		ZR 355 500V/50Hz IEC	
	1080 2847 74		ZR 300 575V/60Hz CSA/UL			1080 2847 77		ZR 355 575V/60Hz CSA/UL	
	1080 2847 72		ZR 315 380V/50Hz IEC			1080 2849 86		ZR 400 380V/50Hz IEC	
	1080 2847 73		ZR 315 400V/50Hz IEC			1080 2849 82		ZR 400 400V/50Hz IEC	
	1080 2847 73		ZR 315 460V/60Hz CSA/UL			1080 2848 82		ZR 400 460V/60Hz CSA/UL	
	1080 2847 74		ZR 315 500V/50Hz IEC			1080 2849 84		ZR 400 500V/50Hz IEC	
	1080 2847 74		ZR 315 575V/60Hz CSA/UL			1080 2848 84		ZR 400 575V/60Hz CSA/UL	
	1080 2848 81		ZR 355 400V/50Hz IEC			1080 2850 76		ZR 425 380V/50Hz IEC	
	1080 2847 73		ZR 355 460V/60Hz CSA/UL			1080 2850 72		ZR 425 400V/50Hz IEC	
	1080 2848 83		ZR 355 500V/50Hz IEC			1080 2849 82		ZR 425 460V/60Hz CSA/UL	
	1080 2847 74		ZR 355 575V/60Hz CSA/UL			1080 2850 74		ZR 425 500V/50Hz IEC	
	1080 2849 85		ZR 400 380V/50Hz IEC			1080 2849 84		ZR 425 575V/60Hz CSA/UL	
	1080 2849 81		ZR 400 400V/50Hz IEC					Without Anti condensation heaters	
	1080 2848 81		ZR 400 460V/60Hz CSA/UL					and PT1000s in bearings	
	1080 2849 83		ZR 400 500V/50Hz IEC			1080 2847 76		ZR 300 400V/50Hz IEC	
	1080 2848 83		ZR 400 575V/60Hz CSA/UL			1080 2847 76		ZR 300 460V/60Hz CSA/UL	
	1080 2850 71		ZR 425 400V/50Hz IEC			1080 2847 77		ZR 300 500V/50Hz IEC	
	1080 2849 81		ZR 425 460V/60Hz CSA/UL			1080 2847 77		ZR 300 575V/60Hz CSA/UL	
	1080 2850 73		ZR 425 500V/50Hz IEC			1080 2847 75		ZR 315 380V/50Hz IEC	
	1080 2849 83		ZR 425 575V/60Hz CSA/UL			1080 2847 76		ZR 315 400V/50Hz IEC	
			Without Anti condensation heaters			1080 2847 76		ZR 315 460V/60Hz CSA/UL	
			and PT1000s in windings and bearings			1080 2847 77		ZR 315 500V/50Hz IEC	
	1080 2847 76		ZR 300 400V/50Hz IEC			1080 2848 85		ZR 315 575V/60Hz CSA/UL	
	1080 2847 76		ZR 300 460V/60Hz CSA/UL			1080 2848 82		ZR 355 380V/50Hz IEC	
	1080 2847 77		ZR 300 500V/50Hz IEC			1080 2847 76		ZR 355 400V/50Hz IEC	
	1080 2847 77		ZR 300 575V/60Hz CSA/UL			1080 2848 84		ZR 355 460V/60Hz CSA/UL	
	1080 2847 75		ZR 315 380V/50Hz IEC			1080 2847 77		ZR 355 500V/50Hz IEC	
	1080 2847 76		ZR 315 400V/50Hz IEC			1080 2849 86		ZR 355 575V/60Hz CSA/UL	
	1080 2847 76		ZR 315 460V/60Hz CSA/UL			1080 2849 82		ZR 400 380V/50Hz IEC	
	1080 2847 77		ZR 315 500V/50Hz IEC			1080 2849 82		ZR 400 400V/50Hz IEC	
	1080 2847 77		ZR 315 575V/60Hz CSA/UL			1080 2848 82		ZR 400 460V/60Hz CSA/UL	
	1080 2848 86		ZR 355 380V/50Hz IEC			1080 2849 84		ZR 400 500V/50Hz IEC	
	1080 2848 82		ZR 355 400V/50Hz IEC			1080 2848 84		ZR 400 575V/60Hz CSA/UL	
	1080 2847 76		ZR 355 460V/60Hz CSA/UL			1080 2850 75		ZR 425 380V/50Hz IEC	
	1080 2848 84		ZR 355 500V/50Hz IEC			1080 2850 72		ZR 425 400V/50Hz IEC	
	1080 2847 77		ZR 355 575V/60Hz CSA/UL			1080 2849 82		ZR 425 460V/60Hz CSA/UL	
	1080 2849 86		ZR 400 380V/50Hz IEC			1080 2850 74		ZR 425 500V/50Hz IEC	
	1080 2849 82		ZR 400 400V/50Hz IEC			1080 2849 84		ZR 425 575V/60Hz CSA/UL	
	1080 2848 82		ZR 400 460V/60Hz CSA/UL		3010		1	Coupl.housing	
	1080 2849 84		ZR 400 500V/50Hz IEC			1621 1692 00		ZR 300 380V/50Hz	
	1080 2848 84		ZR 400 575V/60Hz CSA/UL			1621 1692 00		ZR 300 380V/60Hz	
	1080 2850 76		ZR 425 380V/50Hz IEC			1621 1692 00		ZR 300 400V/50Hz	
	1080 2850 72		ZR 425 400V/50Hz IEC			1621 1692 00		ZR 300 440V/60Hz	
	1080 2849 82		ZR 425 460V/60Hz CSA/UL			1621 1692 00		ZR 300 460V/60Hz	
	1080 2850 74		ZR 425 500V/50Hz IEC			1621 1692 00		ZR 300 500V/50Hz	
	1080 2849 84		ZR 425 575V/60Hz CSA/UL			1621 1692 00		ZR 300 575V/60Hz	
			Without Anti condensation heaters			1621 1692 00		ZR 300 575V/60Hz	
			and PT1000s in windings			1621 1692 00		ZR 300 50Hz Without motor	
	1080 2847 75		ZR 300 380V/50Hz IEC			1621 1692 00		ZR 300 50Hz Without motor	
	1080 2847 76		ZR 300 400V/50Hz IEC			1621 1692 00		Japan	
	1080 2847 76		ZR 300 460V/60Hz CSA/UL			1621 1692 00		ZR 300 60Hz Without motor	
	1080 2847 77		ZR 300 500V/50Hz IEC			1621 1692 00		ZR 300 60Hz Without motor	
	1080 2847 77		ZR 300 575V/60Hz CSA/UL			1621 1692 00		Japan	
	1080 2847 75		ZR 315 380V/50Hz IEC			1621 1692 00		ZR 315 380V/50Hz	
	1080 2847 76		ZR 315 400V/50Hz IEC			1621 1692 00		ZR 315 380V/60Hz	
	1080 2847 76		ZR 315 460V/60Hz CSA/UL			1621 1692 00		ZR 315 400V/50Hz	
	1080 2847 75		ZR 315 500V/50Hz IEC			1621 1692 00		ZR 315 440V/60Hz	
	1080 2847 76		ZR 315 575V/60Hz CSA/UL			1621 1692 00		ZR 315 460V/60Hz	
	1080 2847 76		ZR 315 400V/50Hz IEC			1621 1692 00		ZR 315 500V/50Hz	
	1080 2847 76		ZR 315 460V/60Hz CSA/UL			1621 1692 00		ZR 315 575V/60Hz	

10



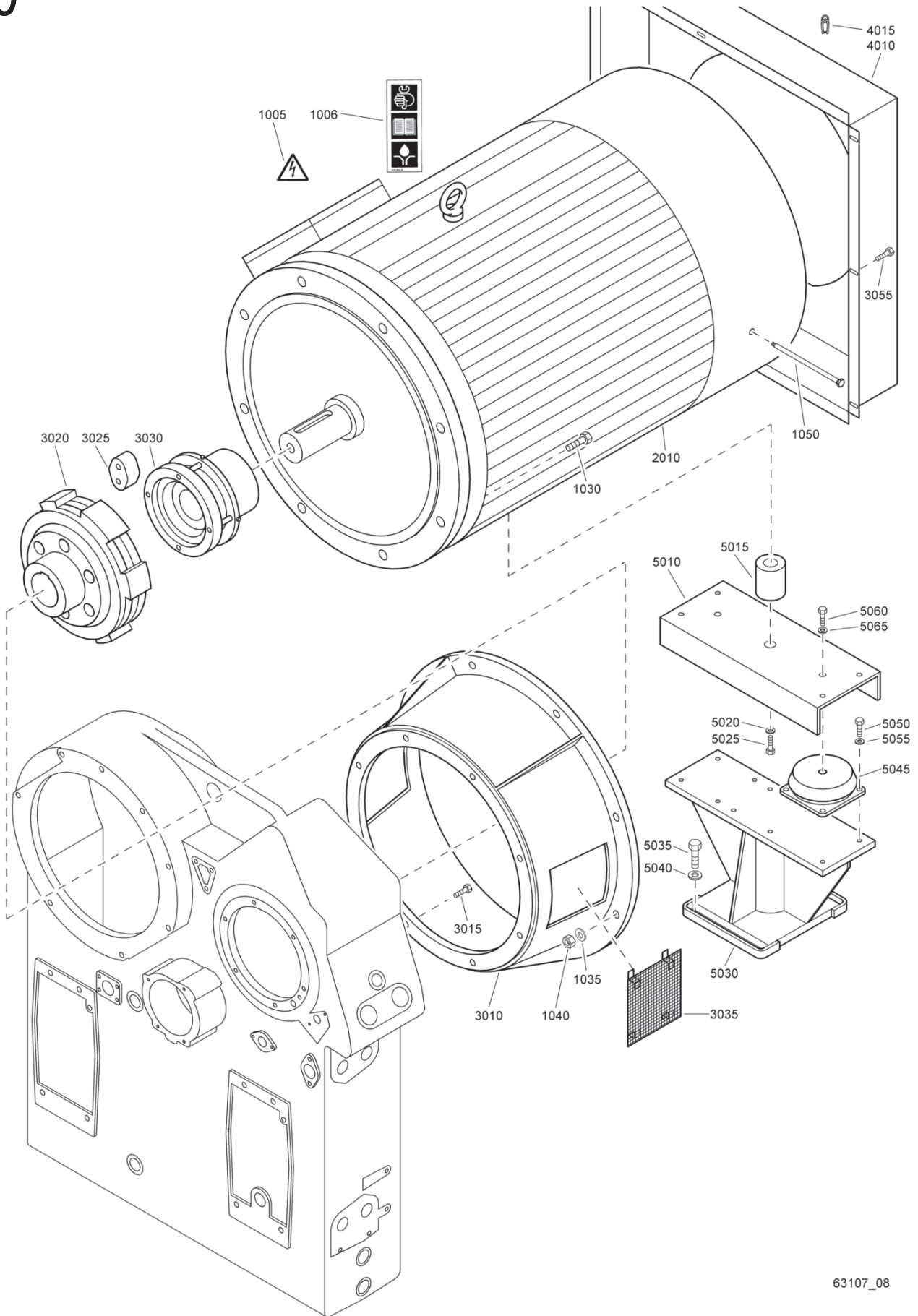
63107_08

Drive arrangement - Arrangement E - Low Voltage / Without motor

10

Ref.	Part number	Qty	Name	Remarks	Ref.	Part number	Qty	Name	Remarks
	1621 1692 00		ZR 315 50Hz Without motor			0300 0274 13		ZR 300 60Hz Without motor	
	1621 1692 00		ZR 315 50Hz Without motor	Japan		0300 0274 13		ZR 315 60Hz Without motor	Japan
	1621 1692 00		ZR 315 60Hz Without motor	Japan		0300 0274 13		ZR 355 60Hz Without motor	Japan
	1621 1692 00		ZR 315 60Hz Without motor	Japan		0300 0274 13		ZR 315 50Hz Without motor	Japan
	1621 1500 00		ZR 355 380V/50Hz			0300 0274 13		ZR 355 50Hz Without motor	Japan
	1621 1500 00		ZR 355 380V/60Hz			0300 0274 13		ZR 355 50Hz Without motor	Japan
	1621 1500 00		ZR 355 400V/50Hz			0300 0274 13		ZR 400 50Hz Without motor	Japan
	1621 1500 00		ZR 355 440V/60Hz			0300 0274 13		ZR 425 50Hz Without motor	Japan
	1621 1692 00		ZR 355 460V/60Hz			0300 0274 13		ZR 400 60Hz Without motor	Japan
	1621 1500 00		ZR 355 500V/50Hz			0300 0274 13		ZR 425 60Hz Without motor	Japan
	1621 1692 00		ZR 355 575V/60Hz			0300 0274 13		ZR 400 60Hz Without motor	Japan
	1621 1500 00		ZR 355 50Hz Without motor			0300 0274 13		ZR 425 60Hz Without motor	Japan
	1621 1692 00		ZR 355 50Hz Without motor	Japan		0300 0274 13		ZR 400 60Hz Without motor	Japan
	1621 1500 00		ZR 355 60Hz Without motor	Japan		0300 0274 13		ZR 425 60Hz Without motor	Japan
	1621 1692 00		ZR 355 60Hz Without motor	Japan	3020		1	Coupling half	
	1621 1500 00		ZR 400 380V/50Hz			1621 1718 01		ZR 300 50Hz Without motor	
	1621 1500 00		ZR 400 380V/60Hz			1621 1718 01		ZR 315 50Hz Without motor	
	1621 1500 00		ZR 400 400V/50Hz			1621 1718 01		ZR 300 60Hz Without motor	
	1621 1500 00		ZR 400 440V/60Hz			1621 1718 01		ZR 315 60Hz Without motor	
	1621 1500 00		ZR 400 460V/60Hz			1621 1718 01		ZR 355 50Hz Without motor	
	1621 1500 00		ZR 400 500V/50Hz			1621 1718 01		ZR 355 60Hz Without motor	
	1621 1500 00		ZR 400 575V/60Hz			1621 1718 01		ZR 400 60Hz Without motor	
	1621 1500 00		ZR 400 60Hz Without motor			1621 1722 01		ZR 400 50Hz Without motor	
	1621 1692 00		ZR 400 50Hz Without motor	Japan		1621 1722 01		ZR 425 50Hz Without motor	
	1621 1500 00		ZR 400 50Hz Without motor	Japan		1621 1718 01		ZR 300 50Hz Without motor	Japan
	1621 1692 00		ZR 400 60Hz Without motor	Japan		1621 1718 01		ZR 300 60Hz Without motor	Japan
	1621 1500 00		ZR 425 380V/50Hz			1621 1718 01		ZR 315 60Hz Without motor	Japan
	1621 1500 00		ZR 425 400V/50Hz			1621 1718 01		ZR 355 60Hz Without motor	Japan
	1621 1500 00		ZR 425 500V/50Hz			1621 1718 01		ZR 315 60Hz Without motor	Japan
	1621 1500 00		ZR 425 50Hz Without motor			1621 1718 01		ZR 315 50Hz Without motor	Japan
	1621 1692 00		ZR 425 50Hz Without motor	Japan		1621 1718 01		ZR 355 50Hz Without motor	Japan
	1621 1692 00		ZR 425 60Hz Without motor	Japan		1621 1718 01		ZR 400 50Hz Without motor	Japan
3015	0147 1483 03	8	Bolt			1621 1718 01		ZR 425 50Hz Without motor	Japan
3017	0147 1557 03	8	Bolt			1621 1718 01		ZR 400 60Hz Without motor	Japan
	0147 1557 03		ZR 300 50Hz Without motor	Japan		1621 1718 01		ZR 425 50Hz Without motor	Japan
	0147 1557 03		ZR 300 60Hz Without motor	Japan		1621 1718 01		ZR 400 60Hz Without motor	Japan
	0147 1557 03		ZR 315 60Hz Without motor	Japan		1621 1718 01		ZR 425 60Hz Without motor	Japan
	0147 1557 03		ZR 355 60Hz Without motor	Japan	3025		1	Set rubbers	
	0147 1557 03		ZR 315 50Hz Without motor	Japan		1619 6467 06		ZR 300 380V/50Hz	
	0147 1557 03		ZR 355 50Hz Without motor	Japan		1619 6467 06		ZR 300 380V/60Hz	
	0147 1557 03		ZR 400 50Hz Without motor	Japan		1619 6467 06		ZR 300 400V/50Hz	
	0147 1557 03		ZR 425 50Hz Without motor	Japan		1619 6467 06		ZR 300 440V/60Hz	
	0147 1557 03		ZR 400 50Hz Without motor	Japan		1619 6467 06		ZR 300 460V/60Hz	
	0147 1557 03		ZR 425 50Hz Without motor	Japan		1619 6467 06		ZR 300 500V/50Hz	
	0147 1557 03		ZR 400 60Hz Without motor	Japan		1619 6467 06		ZR 300 575V/60Hz	
	0147 1557 03		ZR 425 60Hz Without motor	Japan		1619 6467 06		ZR 300 50Hz Without motor	
	0147 1557 03		ZR 400 60Hz Without motor	Japan		1619 6467 06		ZR 300 50Hz Without motor	Japan
	0147 1557 03		ZR 425 60Hz Without motor	Japan		1619 6467 06		ZR 300 60Hz Without motor	
	0147 1557 03		ZR 425 60Hz Without motor	Japan		1619 6467 06		ZR 300 60Hz Without motor	Japan
3018	0300 0274 13	8	Washer			1619 6467 06		ZR 315 380V/50Hz	
	0300 0274 13		ZR 300 50Hz Without motor	Japan		1619 6467 06		ZR 315 380V/60Hz	
	0300 0274 13		ZR 300 50Hz Without motor	Japan		1619 6467 06		ZR 315 400V/50Hz	

10



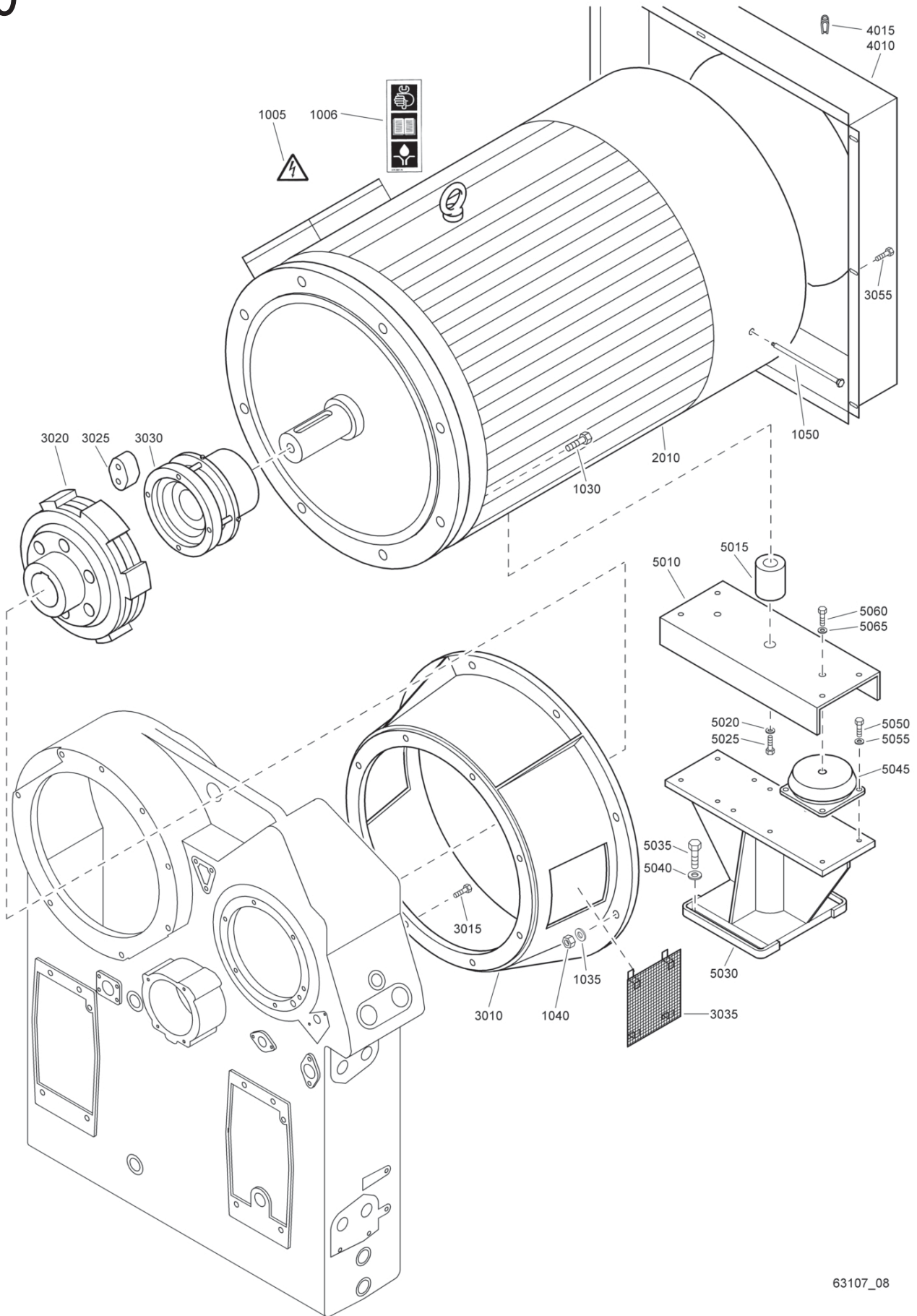
63107_08

Drive arrangement - Arrangement E - Low Voltage / Without motor

10

Ref.	Part number	Qty	Name	Remarks	Ref.	Part number	Qty	Name	Remarks
	1619 6467 06		ZR 315 440V/60Hz		1621 1713 01			ZR 315 50Hz Without motor	
	1619 6467 06		ZR 315 460V/60Hz		1621 1713 07			ZR 315 50Hz Without motor	
	1619 6467 06		ZR 315 500V/50Hz					Japan	
	1619 6467 06		ZR 315 575V/60Hz		1621 1713 01			ZR 315 60Hz Without motor	
	1619 6467 06		ZR 315 50Hz Without motor		1621 1713 07			ZR 315 60Hz Without motor	
	1619 6467 06		ZR 315 50Hz Without motor					Japan	
	1619 6467 06		ZR 315 60Hz Without motor		1621 1713 02			ZR 355 380V/50Hz	
	1619 6467 06		ZR 315 60Hz Without motor		1621 1713 02			ZR 355 380V/60Hz	
					1621 1713 02			ZR 355 400V/50Hz	
					1621 1713 02			ZR 355 440V/60Hz	
	1619 6467 06		ZR 355 380V/50Hz		1621 1713 03			ZR 355 460V/60Hz	
	1619 6467 06		ZR 355 380V/60Hz		1621 1713 02			ZR 355 500V/50Hz	
	1619 6467 06		ZR 355 400V/50Hz		1621 1713 03			ZR 355 575V/60Hz	
	1619 6467 06		ZR 355 440V/60Hz		1621 1713 01			ZR 355 50Hz Without motor	
	1619 6467 06		ZR 355 460V/60Hz		1621 1713 07			ZR 355 50Hz Without motor	
	1619 6467 06		ZR 355 500V/50Hz					Japan	
	1619 6467 06		ZR 355 575V/60Hz		1621 1713 01			ZR 355 60Hz Without motor	
	1619 6467 06		ZR 355 50Hz Without motor		1621 1713 07			ZR 355 60Hz Without motor	
	1619 6467 06		ZR 355 50Hz Without motor					Japan	
	1619 6467 06		ZR 355 60Hz Without motor		1621 1713 02			ZR 400 380V/50Hz	
	1619 6467 06		ZR 355 60Hz Without motor		1621 1713 02			ZR 400 380V/60Hz	
					1621 1713 02			ZR 400 400V/50Hz	
					1621 1713 02			ZR 400 440V/60Hz	
	1619 6467 06		ZR 400 380V/50Hz		1621 1713 02			ZR 400 460V/60Hz	
	1619 6467 06		ZR 400 380V/60Hz		1621 1713 02			ZR 400 500V/50Hz	
	1619 6467 06		ZR 400 400V/50Hz		1621 1713 02			ZR 400 575V/60Hz	
	1619 6467 06		ZR 400 440V/60Hz		1621 1720 02			ZR 400 50Hz Without motor	
	1619 6467 06		ZR 400 460V/60Hz		1621 1713 07			ZR 400 50Hz Without motor	
	1619 6467 06		ZR 400 500V/50Hz					Japan	
	1619 6467 06		ZR 400 575V/60Hz		1621 1713 01			ZR 400 60Hz Without motor	
	1619 6467 08		ZR 400 50Hz Without motor		1621 1713 07			ZR 400 60Hz Without motor	
	1619 6467 06		ZR 400 50Hz Without motor					Japan	
	1619 6467 06		ZR 400 60Hz Without motor		1621 1713 02			ZR 425 380V/50Hz	
	1619 6467 06		ZR 400 60Hz Without motor		1621 1713 02			ZR 425 400V/50Hz	
					1621 1713 02			ZR 425 500V/50Hz	
					1621 1720 02			ZR 425 50Hz Without motor	
	1619 6467 06		ZR 425 380V/50Hz		1621 1713 07			ZR 425 50Hz Without motor	
	1619 6467 06		ZR 425 400V/50Hz					Japan	
	1619 6467 06		ZR 425 500V/50Hz		1621 1713 07			ZR 425 60Hz Without motor	
	1619 6467 06		ZR 425 60Hz Without motor					Japan	
	1619 6467 08		ZR 425 50Hz Without motor		3035 1621 1673 00	2		Guard	
	1619 6467 06		ZR 425 50Hz Without motor		3055 1619 2766 00	8		Bolt	
							1	Cover	
								ZR 300 380V/50Hz	
3030		1	Coupling half					ZR 300 380V/60Hz	
	1621 1713 03		ZR 300 380V/50Hz					ZR 300 400V/50Hz	
	1621 1713 03		ZR 300 380V/60Hz					ZR 300 440V/60Hz	
	1621 1713 03		ZR 300 400V/50Hz					ZR 300 460V/60Hz	
	1621 1713 03		ZR 300 440V/60Hz					ZR 300 500V/50Hz	
	1621 1713 03		ZR 300 460V/60Hz					ZR 300 575V/60Hz	
	1621 1713 03		ZR 300 500V/50Hz					ZR 300 50Hz Without motor	
	1621 1713 03		ZR 300 575V/60Hz					Japan	
	1621 1713 01		ZR 300 50Hz Without motor		1621 6374 80			ZR 300 60Hz Without motor	
	1621 1713 07		ZR 300 50Hz Without motor					Japan	
	1621 1713 01		ZR 300 60Hz Without motor		1621 6121 80			ZR 315 400V/50Hz	
	1621 1713 07		ZR 300 60Hz Without motor		1621 6121 80			ZR 315 440V/60Hz	
					1621 6121 80			ZR 315 460V/60Hz	
					1621 6121 80			ZR 315 500V/50Hz	
	1621 1713 03		ZR 315 380V/50Hz		1621 6121 80			ZR 315 575V/60Hz	
	1621 1713 03		ZR 315 380V/60Hz		1621 6094 80			ZR 315 380V/50Hz	
	1621 1713 03		ZR 315 400V/50Hz		1621 6121 80			ZR 315 380V/60Hz	
	1621 1713 03		ZR 315 440V/60Hz		1621 6374 80			ZR 315 50Hz Without motor	
	1621 1713 03		ZR 315 460V/60Hz					Japan	
	1621 1713 03		ZR 315 500V/50Hz		1621 6374 80			ZR 315 60Hz Without motor	
	1621 1713 03		ZR 315 575V/60Hz					Japan	

10



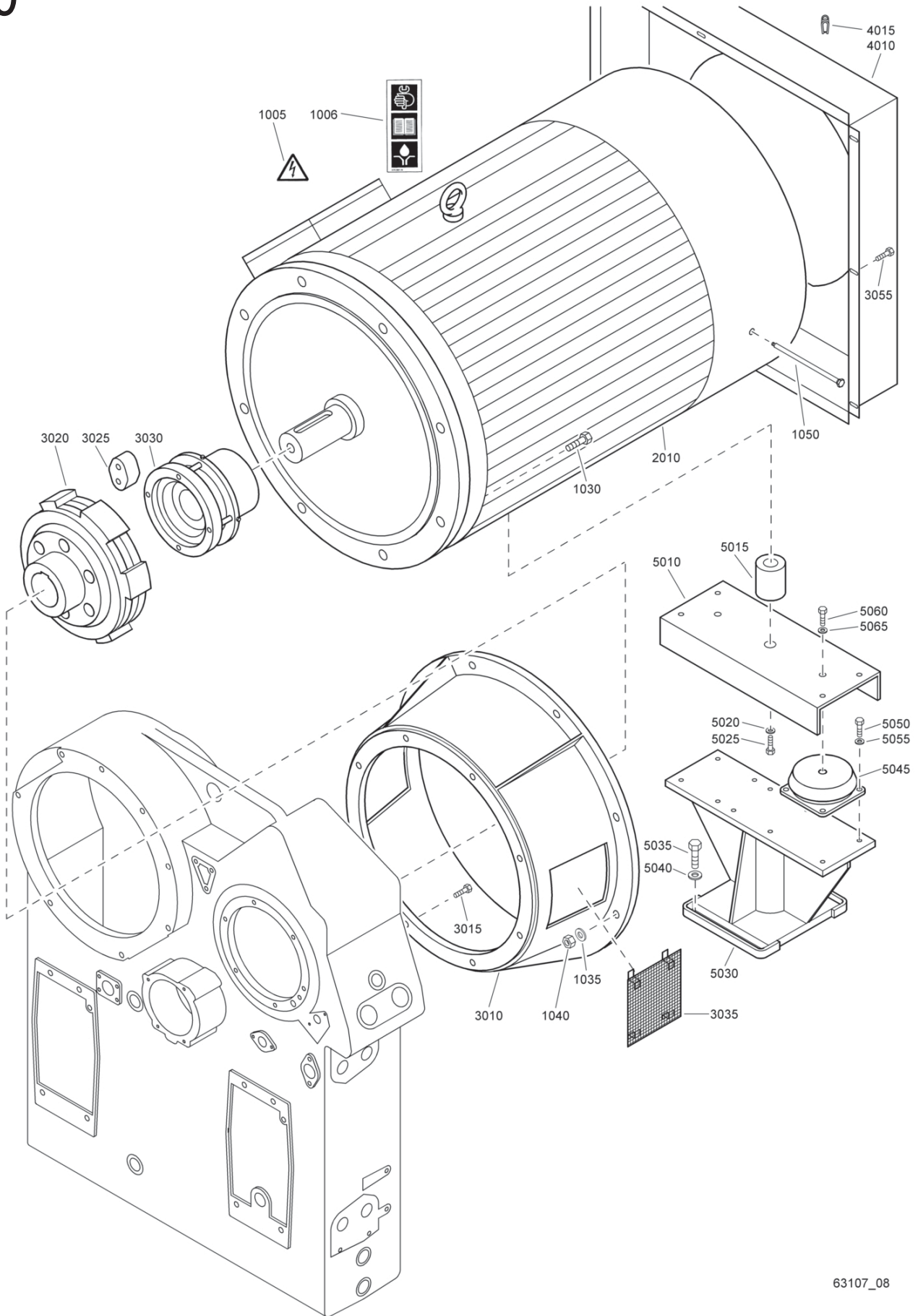
63107_08

Drive arrangement - Arrangement E - Low Voltage / Without motor

10

Ref.	Part number	Qty	Name	Remarks	Ref.	Part number	Qty	Name	Remarks
	1621 6094 80		ZR 355 380V/50Hz		1621 1661 02			ZR 355 50Hz Without motor	
	1621 6094 80		ZR 355 380V/60Hz		1621 6375 00			ZR 355 50Hz Without motor	
	1621 6094 80		ZR 355 400V/50Hz					- Japan	
	1621 6094 80		ZR 355 440V/60Hz		1621 1661 02			ZR 355 60Hz Without motor	
	1621 6121 80		ZR 355 460V/60Hz		1621 6375 00			ZR 355 60Hz Without motor	
	1621 6094 80		ZR 355 500V/50Hz					- Japan	
	1621 6121 80		ZR 355 575V/60Hz		1621 1661 02			ZR 400 380V/50Hz	
	1621 6374 80		ZR 355 60Hz Without motor		1621 1661 02			ZR 400 380V/60Hz	
			Japan		1621 1661 02			ZR 400 400V/50Hz	
	1621 6374 80		ZR 355 50Hz Without motor		1621 1661 02			ZR 400 440V/60Hz	
			Japan		1621 1661 02			ZR 400 460V/60Hz	
	1621 6094 80		ZR 400 380V/50Hz		1621 1661 02			ZR 400 500V/50Hz	
	1621 6094 80		ZR 400 380V/60Hz		1621 1661 02			ZR 400 575V/60Hz	
	1621 6094 80		ZR 400 400V/50Hz		1621 1661 02			ZR 400 50Hz Without motor	
	1621 6094 80		ZR 400 440V/60Hz		1621 6375 00			ZR 400 50Hz Without motor	
	1621 6094 80		ZR 400 460V/60Hz					- Japan	
	1621 6094 80		ZR 400 500V/50Hz		1621 1661 02			ZR 400 60Hz Without motor	
	1621 6094 80		ZR 400 575V/60Hz		1621 6375 00			ZR 400 60Hz Without motor	
	1621 6374 80		ZR 400 50Hz Without motor					- Japan	
			Japan		1621 1661 02			ZR 425 380V/50Hz	
	1621 6374 80		ZR 400 60Hz Without motor		1621 1661 02			ZR 425 400V/50Hz	
			Japan		1621 1661 02			ZR 425 500V/50Hz	
	1621 6094 80		ZR 425 380V/50Hz		1621 1661 02			ZR 425 50Hz Without motor	
	1621 6094 80		ZR 425 400V/50Hz		1621 6375 00			ZR 425 50Hz Without motor	
	1621 6094 80		ZR 425 500V/50Hz					- Japan	
	1621 6374 80		ZR 425 50Hz Without motor		1621 6375 00			ZR 425 60Hz Without motor	
			Japan					- Japan	
	1621 6374 80		ZR 425 60Hz Without motor		5015		1	Spacer	
			Japan		1621 1691 05			ZR 300 380V/50Hz	
4010		• 1	Cover		1621 1691 04			ZR 300 380V/60Hz	
4015	1619 2473 00	• AR	Seal		1621 1691 04			ZR 300 400V/50Hz	
5010		1	Support		1621 1691 04			ZR 300 440V/60Hz	
	1621 1661 02		ZR 300 380V/50Hz		1621 1691 04			ZR 300 460V/60Hz	
	1621 1661 02		ZR 300 380V/60Hz		1621 1691 04			ZR 300 500V/50Hz	
	1621 1661 02		ZR 300 400V/50Hz		1621 1691 04			ZR 300 575V/60Hz	
	1621 1661 02		ZR 300 440V/60Hz		1621 1691 04			ZR 300 50Hz Without motor	
	1621 1661 02		ZR 300 460V/60Hz		1621 1691 14			ZR 300 50Hz Without motor	
	1621 1661 02		ZR 300 500V/50Hz					- Japan	
	1621 1661 02		ZR 300 575V/60Hz		1621 1691 04			ZR 300 60Hz Without motor	
	1621 1661 02		ZR 300 50Hz Without motor		1621 1691 14			ZR 300 60Hz Without motor	
	1621 6375 00		ZR 300 50Hz Without motor					- Japan	
			- Japan		1621 1691 05			ZR 315 380V/50Hz	
	1621 1661 02		ZR 300 60Hz Without motor		1621 1691 04			ZR 315 380V/60Hz	
	1621 6375 00		ZR 300 60Hz Without motor		1621 1691 04			ZR 315 400V/50Hz	
			- Japan		1621 1691 04			ZR 315 440V/60Hz	
	1621 1661 02		ZR 315 380V/50Hz		1621 1691 04			ZR 315 460V/60Hz	
	1621 1661 02		ZR 315 380V/60Hz		1621 1691 04			ZR 315 500V/50Hz	
	1621 1661 02		ZR 315 400V/50Hz		1621 1691 04			ZR 315 575V/60Hz	
	1621 1661 02		ZR 315 440V/60Hz		1621 1691 04			ZR 315 50Hz Without motor	
	1621 1661 02		ZR 315 460V/60Hz		1621 1691 14			ZR 315 50Hz Without motor	
	1621 1661 02		ZR 315 500V/50Hz					- Japan	
	1621 1661 02		ZR 315 575V/60Hz		1621 1691 04			ZR 315 60Hz Without motor	
	1621 1661 02		ZR 315 50Hz Without motor		1621 1691 14			ZR 315 60Hz Without motor	
	1621 6375 00		ZR 315 50Hz Without motor					- Japan	
			- Japan		1621 1691 05			ZR 355 380V/50Hz	
	1621 1661 02		ZR 315 60Hz Without motor		1621 1691 05			ZR 355 380V/60Hz	
	1621 6375 00		ZR 315 60Hz Without motor		1621 1691 05			ZR 355 400V/50Hz	
			- Japan		1621 1691 05			ZR 355 440V/60Hz	
	1621 1661 02		ZR 355 380V/50Hz		1621 1691 04			ZR 355 460V/60Hz	
	1621 1661 02		ZR 355 380V/60Hz		1621 1691 05			ZR 355 500V/50Hz	
	1621 1661 02		ZR 355 400V/50Hz		1621 1691 04			ZR 355 575V/60Hz	
	1621 1661 02		ZR 355 440V/60Hz		1621 1691 05			ZR 355 50Hz Without motor	
	1621 1661 02		ZR 355 460V/60Hz		1621 1691 14			ZR 355 50Hz Without motor	
	1621 1661 02		ZR 355 500V/50Hz					- Japan	
	1621 1661 02		ZR 355 575V/60Hz		1621 1691 05			ZR 355 60Hz Without motor	

10



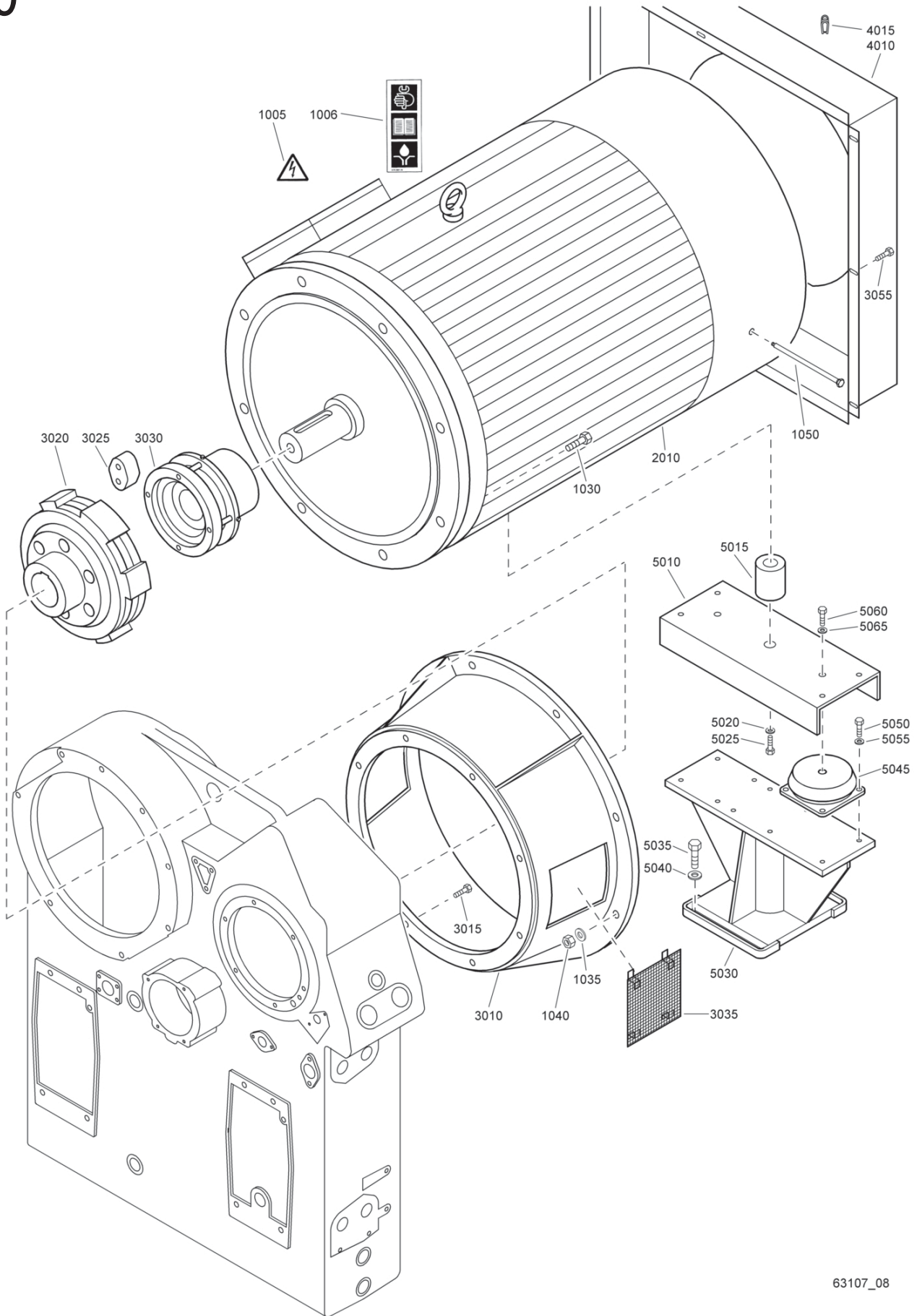
63107_08

Drive arrangement - Arrangement E - Low Voltage / Without motor

10

Ref.	Part number	Qty	Name	Remarks	Ref.	Part number	Qty	Name	Remarks
	1621 1691 14		ZR 355 60Hz Without motor - Japan		0301 2434 00	2	ZR 355 500V/50Hz		
	1621 1691 05		ZR 400 380V/50Hz		0301 2434 00	1	ZR 355 575V/60Hz		
	1621 1691 05		ZR 400 380V/60Hz		0301 2434 00	2	ZR 355 50Hz Without motor		
	1621 1691 05		ZR 400 400V/50Hz		0301 2405 00	1	ZR 355 50Hz Without motor - Japan		
	1621 1691 05		ZR 400 440V/60Hz		0301 2434 00	2	ZR 355 60Hz Without motor		
	1621 1691 05		ZR 400 460V/60Hz		0301 2405 00	1	ZR 355 60Hz Without motor - Japan		
	1621 1691 05		ZR 400 500V/50Hz		0301 2434 00	2	ZR 400 380V/50Hz		
	1621 1691 05		ZR 400 575V/60Hz		0301 2434 00	2	ZR 400 380V/60Hz		
	1621 1691 05		ZR 400 50Hz Without motor		0301 2434 00	2	ZR 400 400V/50Hz		
	1621 1691 14		ZR 400 50Hz Without motor - Japan		0301 2434 00	2	ZR 400 440V/60Hz		
	1621 1691 05		ZR 400 60Hz Without motor		0301 2434 00	2	ZR 400 460V/60Hz		
	1621 1691 14		ZR 400 60Hz Without motor - Japan		0301 2434 00	2	ZR 400 500V/50Hz		
	1621 1691 05		ZR 425 50Hz Without motor		0301 2434 00	2	ZR 400 575V/60Hz		
5016		1	Bolt		0301 2434 00	2	ZR 400 50Hz Without motor		
	0147 1643 03		ZR 300 50Hz Without motor - Japan		0301 2405 00	1	ZR 400 50Hz Without motor - Japan		
	0147 1643 03		ZR 300 60Hz Without motor - Japan		0301 2434 00	2	ZR 400 60Hz Without motor		
	0147 1643 03		ZR 315 50Hz Without motor - Japan		0301 2405 00	1	ZR 400 60Hz Without motor - Japan		
	0147 1643 03		ZR 315 60Hz Without motor - Japan		0301 2434 00	2	ZR 425 380V/50Hz		
	0147 1643 03		ZR 355 50Hz Without motor - Japan		0301 2434 00	2	ZR 425 400V/50Hz		
	0147 1643 03		ZR 355 60Hz Without motor - Japan		0301 2434 00	2	ZR 425 500V/50Hz		
	0147 1643 03		ZR 400 50Hz Without motor - Japan		0301 2434 00	2	ZR 425 50Hz Without motor - Japan		
	0147 1643 03		ZR 400 60Hz Without motor - Japan		0301 2405 00	1	ZR 425 50Hz Without motor - Japan		
5020			Washer		5025	1	Bolt		
	0301 2434 00	1	ZR 300 380V/50Hz		0147 1961 55		ZR 300 380V/50Hz		
	0301 2434 00	1	ZR 300 380V/60Hz		0147 1960 97		ZR 300 380V/60Hz		
	0301 2434 00	1	ZR 300 400V/50Hz		0147 1960 97		ZR 300 400V/50Hz		
	0301 2434 00	1	ZR 300 440V/60Hz		0147 1960 97		ZR 300 440V/60Hz		
	0301 2434 00	1	ZR 300 460V/60Hz		0147 1960 97		ZR 300 460V/60Hz		
	0301 2434 00	1	ZR 300 500V/50Hz		0147 1960 97		ZR 300 500V/50Hz		
	0301 2434 00	1	ZR 300 575V/60Hz		0147 1960 97		ZR 300 575V/60Hz		
	0301 2434 00	1	ZR 300 50Hz Without motor		0147 1960 97		ZR 300 50Hz Without motor		
	0301 2405 00	1	ZR 300 50Hz Without motor - Japan		0147 1960 47		ZR 300 50Hz Without motor - Japan		
	0301 2434 00	1	ZR 300 60Hz Without motor		0147 1960 97		ZR 300 60Hz Without motor		
	0301 2405 00	1	ZR 300 60Hz Without motor - Japan		0147 1960 47		ZR 300 60Hz Without motor - Japan		
	0301 2434 00	1	ZR 315 380V/50Hz		0147 1961 55		ZR 315 380V/50Hz		
	0301 2434 00	1	ZR 315 380V/60Hz		0147 1960 97		ZR 315 380V/60Hz		
	0301 2434 00	1	ZR 315 400V/50Hz		0147 1960 97		ZR 315 400V/50Hz		
	0301 2434 00	1	ZR 315 440V/60Hz		0147 1960 97		ZR 315 440V/60Hz		
	0301 2434 00	1	ZR 315 460V/60Hz		0147 1960 97		ZR 315 460V/60Hz		
	0301 2434 00	1	ZR 315 500V/50Hz		0147 1960 97		ZR 315 500V/50Hz		
	0301 2434 00	1	ZR 315 575V/60Hz		0147 1960 97		ZR 315 575V/60Hz		
	0301 2434 00	1	ZR 315 50Hz Without motor		0147 1960 97		ZR 315 50Hz Without motor		
	0301 2405 00	1	ZR 315 50Hz Without motor - Japan		0147 1960 47		ZR 315 50Hz Without motor - Japan		
	0301 2434 00	1	ZR 315 60Hz Without motor		0147 1960 96		ZR 315 50Hz Without motor - Japan		
	0301 2405 00	1	ZR 315 60Hz Without motor - Japan		0147 1960 96		ZR 315 60Hz Without motor		
	0301 2434 00	2	ZR 355 380V/50Hz		0147 1960 96		ZR 355 380V/50Hz		
	0301 2434 00	2	ZR 355 380V/60Hz		0147 1960 96		ZR 355 380V/60Hz		
	0301 2434 00	2	ZR 355 400V/50Hz		0147 1960 96		ZR 355 400V/50Hz		
	0301 2434 00	2	ZR 355 440V/60Hz		0147 1960 96		ZR 355 440V/60Hz		
	0301 2434 00	2	ZR 355 460V/60Hz		0147 1960 96		ZR 355 460V/60Hz		
	0301 2434 00	2	ZR 355 500V/50Hz		0147 1960 96		ZR 355 500V/50Hz		
	0301 2434 00	2	ZR 355 575V/60Hz		0147 1960 96		ZR 355 575V/60Hz		
	0301 2434 00	1	ZR 355 460V/60Hz		0147 1960 96		ZR 355 50Hz Without motor		

10



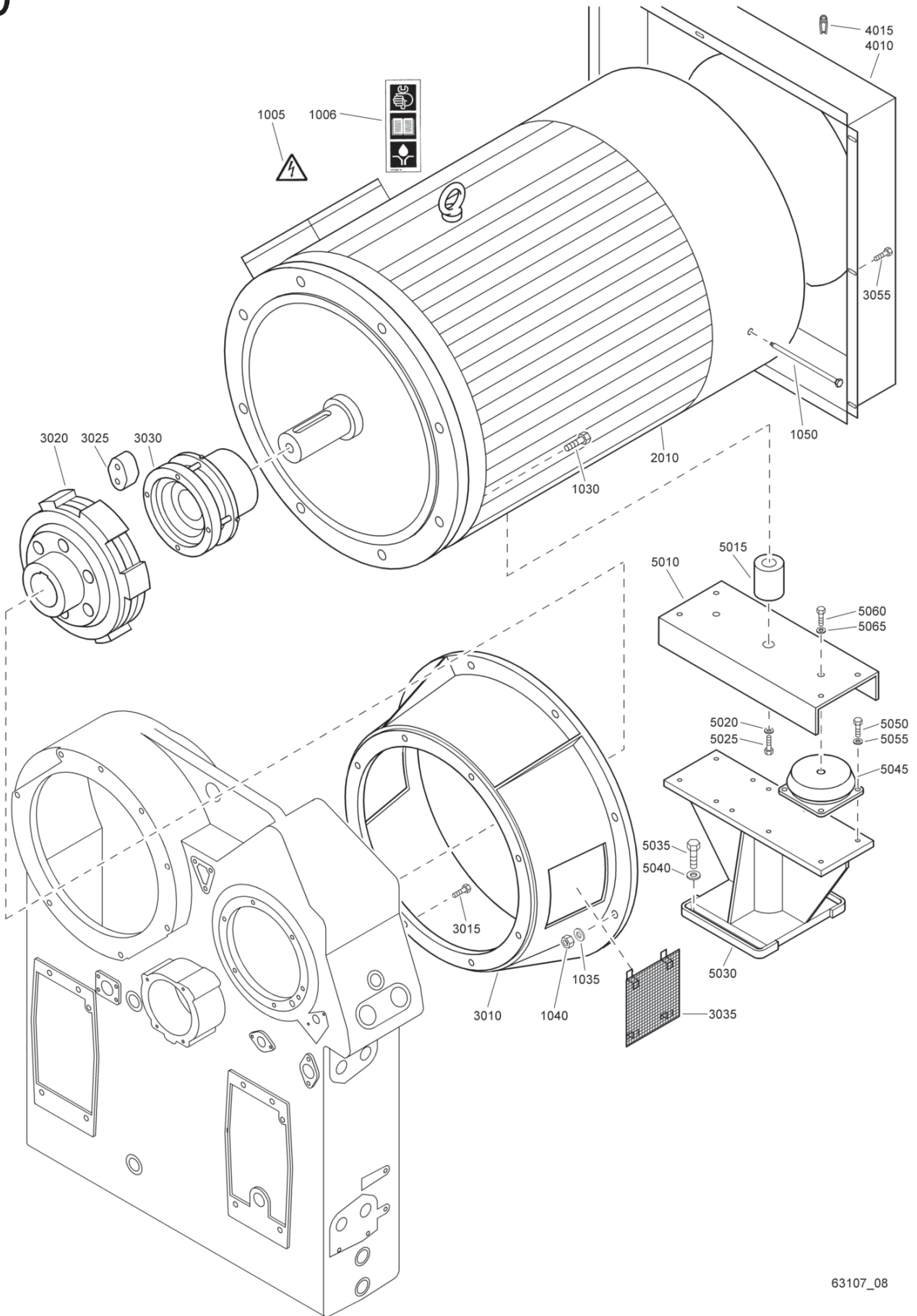
63107_08

Drive arrangement - Arrangement E - Low Voltage / Without motor

10

Ref.	Part number	Qty	Name	Remarks	Ref.	Part number	Qty	Name	Remarks
	0147 1960 47		ZR 355 50Hz Without motor - Japan			1621 1504 02		ZR 355 60Hz Without motor	
	0147 1960 96		ZR 355 60Hz Without motor			1621 1661 03		ZR 355 60Hz Without motor - Japan	
	0147 1960 47		ZR 355 60Hz Without motor - Japan			1092 0000 53		ZR 400 380V/50Hz	
	0147 1960 96		ZR 400 380V/50Hz			1621 1504 02		ZR 400 380V/60Hz	
	0147 1960 96		ZR 400 380V/60Hz			1621 1504 02		ZR 400 400V/50Hz	
	0147 1960 96		ZR 400 400V/50Hz			1621 1504 02		ZR 400 440V/60Hz	
	0147 1960 96		ZR 400 440V/60Hz			1621 1504 02		ZR 400 460V/60Hz	
	0147 1960 96		ZR 400 460V/60Hz			1621 1504 02		ZR 400 500V/50Hz	
	0147 1960 96		ZR 400 500V/50Hz			1621 1504 02		ZR 400 575V/60Hz	
	0147 1960 96		ZR 400 575V/60Hz			1621 1504 02		ZR 400 50Hz Without motor	
	0147 1960 96		ZR 400 50Hz Without motor			1621 1661 03		ZR 400 50Hz Without motor - Japan	
	0147 1960 47		ZR 400 50Hz Without motor - Japan			1621 1504 02		ZR 400 60Hz Without motor	
	0147 1960 96		ZR 400 60Hz Without motor			1621 1661 03		ZR 400 60Hz Without motor - Japan	
	0147 1960 47		ZR 400 60Hz Without motor - Japan			1092 0000 53		ZR 425 380V/50Hz	
	0147 1960 96		ZR 425 380V/50Hz			1621 1504 02		ZR 425 400V/50Hz	
	0147 1960 96		ZR 425 400V/50Hz			1621 1504 02		ZR 425 500V/50Hz	
	0147 1960 96		ZR 425 500V/50Hz			1621 1504 02		ZR 425 50Hz Without motor	
	0147 1960 96		ZR 425 50Hz Without motor			1621 1661 03		ZR 425 50Hz Without motor - Japan	
	0147 1960 47		ZR 425 50Hz Without motor - Japan			1621 1661 03		ZR 425 60Hz Without motor - Japan	
	0147 1960 47		ZR 425 60Hz Without motor - Japan		5035	0147 1962 36	4	Bolt	
5030		1	Support		5040	0302 1274 04	4	Washer	
5030		1	Support	LIST 2	5045			Antivib.pad	
	1092 0000 53		ZR 300 380V/50Hz			1614 6366 02	2	ZR 300 380V/50Hz	
	1621 1504 02		ZR 300 380V/60Hz			1614 6366 02	2	ZR 300 380V/60Hz	
	1621 1504 02		ZR 300 400V/50Hz			1614 6366 02	2	ZR 300 400V/50Hz	
	1621 1504 02		ZR 300 440V/60Hz			1614 6366 02	2	ZR 300 440V/60Hz	
	1621 1504 02		ZR 300 460V/60Hz			1614 6366 02	2	ZR 300 460V/60Hz	
	1621 1504 02		ZR 300 500V/50Hz			1614 6366 02	2	ZR 300 500V/50Hz	
	1621 1504 02		ZR 300 575V/60Hz			1614 6366 02	2	ZR 300 575V/60Hz	
	1621 1504 02		ZR 300 50Hz Without motor			1614 6366 02	2	ZR 300 50Hz Without motor	
	1621 1504 02		ZR 300 50Hz Without motor - Japan			1612 5584 00	2	ZR 300 50Hz Without motor - Japan	
	1621 1504 02		ZR 300 60Hz Without motor			1614 6366 02	2	ZR 300 60Hz Without motor	
	1621 1661 03		ZR 300 60Hz Without motor - Japan			1612 5584 00	2	ZR 300 60Hz Without motor - Japan	
	1092 0000 53		ZR 315 380V/50Hz			1614 6366 02	2	ZR 315 380V/50Hz	
	1621 1504 02		ZR 315 380V/60Hz			1614 6366 02	2	ZR 315 380V/60Hz	
	1621 1504 02		ZR 315 400V/50Hz			1614 6366 02	2	ZR 315 400V/50Hz	
	1621 1504 02		ZR 315 440V/60Hz			1614 6366 02	2	ZR 315 440V/60Hz	
	1621 1504 02		ZR 315 460V/60Hz			1614 6366 02	2	ZR 315 460V/60Hz	
	1621 1504 02		ZR 315 500V/50Hz			1614 6366 02	2	ZR 315 500V/50Hz	
	1621 1504 02		ZR 315 575V/60Hz			1614 6366 02	2	ZR 315 575V/60Hz	
	1621 1504 02		ZR 315 50Hz Without motor			1614 6366 02	2	ZR 315 50Hz Without motor	
	1621 1504 02		ZR 315 50Hz Without motor - Japan			1612 5584 00	2	ZR 315 50Hz Without motor - Japan	
	1621 1504 02		ZR 315 60Hz Without motor			1614 6366 02	2	ZR 315 60Hz Without motor	
	1621 1661 03		ZR 315 60Hz Without motor - Japan			1612 5584 00	2	ZR 315 60Hz Without motor - Japan	
	1092 0000 53		ZR 355 380V/50Hz			1612 5584 00	3	ZR 355 380V/50Hz	
	1621 1504 02		ZR 355 380V/60Hz			1612 5584 00	2	ZR 355 380V/60Hz	
	1621 1504 02		ZR 355 400V/50Hz			1612 5584 00	2	ZR 355 400V/50Hz	
	1621 1504 02		ZR 355 440V/60Hz			1612 5584 00	2	ZR 355 440V/60Hz	
	1621 1504 02		ZR 355 460V/60Hz			1614 6366 02	2	ZR 355 460V/60Hz	
	1621 1504 02		ZR 355 500V/50Hz			1612 5584 00	2	ZR 355 500V/50Hz	
	1621 1504 02		ZR 355 575V/60Hz			1614 6366 02	2	ZR 355 575V/60Hz	
	1621 1504 02		ZR 355 50Hz Without motor			1612 5584 00	2	ZR 355 50Hz Without motor	
	1621 1504 02		ZR 355 50Hz Without motor - Japan			1612 5584 00	2	ZR 355 50Hz Without motor - Japan	
	1621 1661 03		ZR 355 50Hz Without motor - Japan			1612 5584 00	2	ZR 355 60Hz Without motor	

10

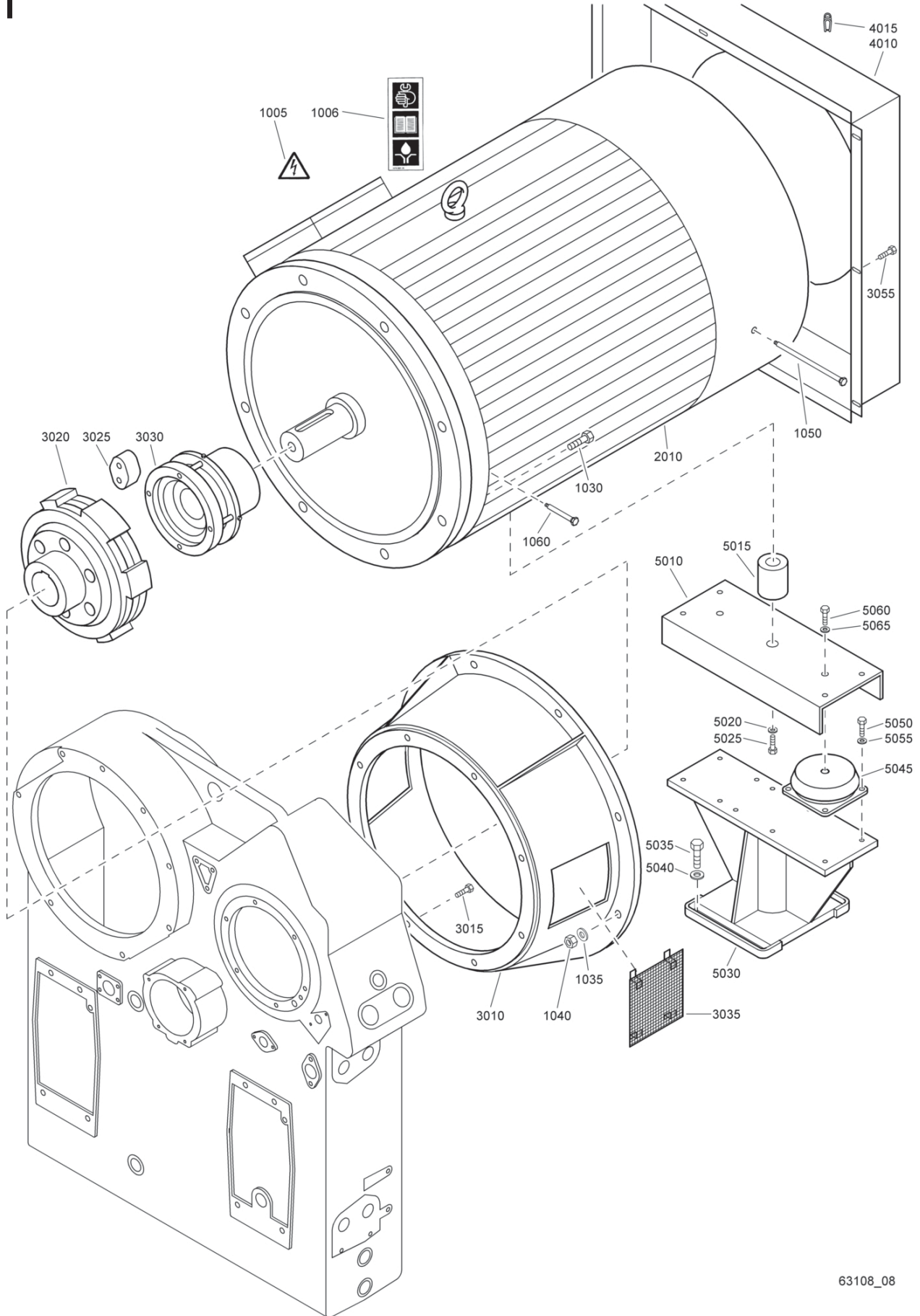


63107_08

Drive arrangement - Arrangement E - Low Voltage / Without motor

Ref.	Part number	Qty	Name	Remarks
	1612 5584 00	2	ZR 355 60Hz Without motor - Japan	
	1612 5584 00	3	ZR 400 380V/50Hz	
	1612 5584 00	2	ZR 400 380V/60Hz	
	1612 5584 00	2	ZR 400 400V/50Hz	
	1612 5584 00	2	ZR 400 440V/60Hz	
	1612 5584 00	2	ZR 400 460V/60Hz	
	1612 5584 00	2	ZR 400 500V/50Hz	
	1612 5584 00	2	ZR 400 575V/60Hz	
	1612 5584 00	2	ZR 400 50Hz Without motor	
	1612 5584 00	2	ZR 400 50Hz Without motor - Japan	
	1612 5584 00	2	ZR 400 60Hz Without motor	
	1612 5584 00	2	ZR 400 60Hz Without motor - Japan	
	1612 5584 00	3	ZR 425 380V/50Hz	
	1612 5584 00	2	ZR 425 400V/50Hz	
	1612 5584 00	2	ZR 425 500V/50Hz	
	1612 5584 00	2	ZR 425 50Hz Without motor	
	1612 5584 00	3	ZR 425 50Hz Without motor - Japan	
	1612 5584 00	3	ZR 425 60Hz Without motor - Japan	
5050	0147 1962 30	AR	Bolt	
5055	0301 2358 00	AR	Washer	
5060	0147 1962 38	2	Bolt	
5065	0300 0274 13	2	Washer	
5070	0147 1419 03	4	Bolt	

11

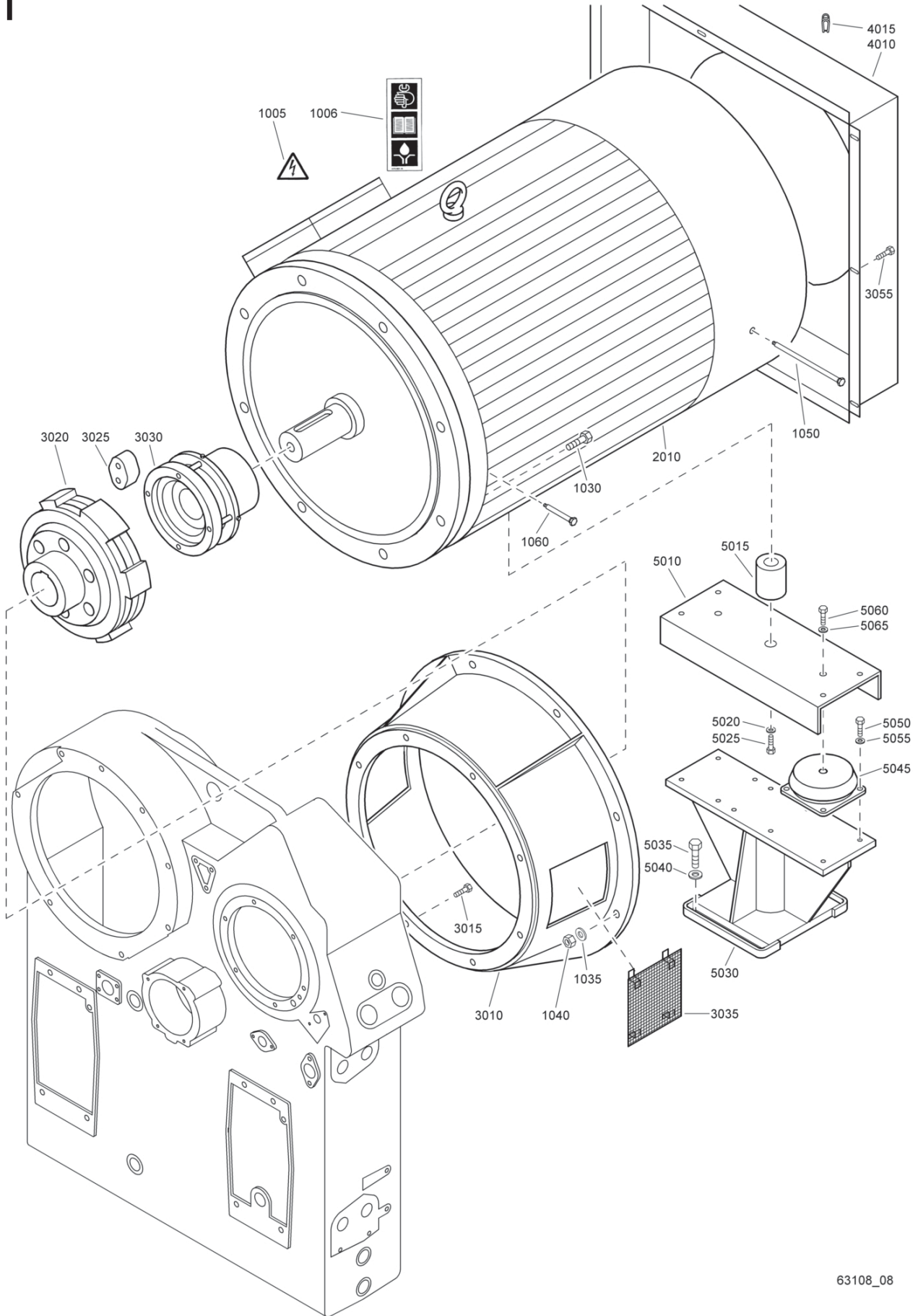


63108_08

Drive arrangement E - Arrangement E - Medium Voltage

Ref.	Part number	Qty	Name	Remarks	Ref.	Part number	Qty	Name	Remarks
1005	1088 1001 04	1	Warning mark		1080 2929 72			ZR 355 3.3kV/50Hz IP55	
1006	1079 9901 29	1	Label		1080 4077 33			ZR 355 3.3kV/60Hz IP23	
1030	0147 1557 03	8	Bolt		1080 2955 73			ZR 355 3.3kV/60Hz IP55	
1035	0301 2394 00	8	Washer		1080 4077 34			ZR 355 4.16kV/60Hz IP23	
1040	0266 2116 00	8	Nut		1080 2955 74			ZR 355 4.16kV/60Hz IP55	
1050	1614 8130 00	1	Nipple		1080 4077 13			ZR 355 5kV/50Hz IP23	
1060		1	Nipple		1080 2929 73			ZR 355 5kV/50Hz IP55	
	1619 6032 05		IEC		1080 4077 14			ZR 355 5.5kV/50Hz IP23	
	1619 6032 01		CSA/UL		1080 2929 74			ZR 355 5.5kV/50Hz IP55	
2010		1	Motor		1080 4077 16			ZR 355 6.6kV/50Hz IP23	
	1080 2944 81		ZR 300 2.3kV/60Hz IP23		1080 2929 76			ZR 355 6.6kV/50Hz IP55	
	1080 4078 31		ZR 300 2.3kV/60Hz IP55		1080 4077 36			ZR 355 6.6kV/60Hz IP23	
	1080 4077 01		ZR 300 3kV/50Hz IP23		1080 2955 76			ZR 355 6.6kV/60Hz IP55	
	1080 2955 61		ZR 300 3kV/50Hz IP55		1080 4077 15			ZR 355 6kV/50Hz IP23	
	1080 2944 82		ZR 300 3kV/60Hz IP23		1080 2929 75			ZR 355 6kV/50Hz IP55	
	1080 4078 32		ZR 300 3kV/60Hz IP55		1080 4077 35			ZR 355 6kV/60Hz IP23	
	1080 4077 02		ZR 300 3.3kV/50Hz IP23		1080 2955 75			ZR 355 6kV/60Hz IP55	
	1080 2955 62		ZR 300 3.3kV/50Hz IP55		1080 4077 41			ZR 400 2.3kV/60Hz IP23	
	1080 2944 83		ZR 300 3.3kV/60Hz IP23		1080 2929 91			ZR 400 2.3kV/60Hz IP55	
	1080 4078 33		ZR 300 3.3kV/60Hz IP55		1080 4077 21			ZR 400 3kV/50Hz IP23	
	1080 2944 84		ZR 300 4.16kV/60Hz IP23		1080 2929 81			ZR 400 3kV/50Hz IP55	
	1080 4078 34		ZR 300 4.16kV/60Hz IP55		1080 4077 42			ZR 400 3kV/60Hz IP23	
	1080 4077 04		ZR 300 5.5kV/50Hz IP23		1080 2929 92			ZR 400 3kV/60Hz IP55	
	1080 2955 64		ZR 300 5.5kV/50Hz IP55		1080 4077 22			ZR 400 3.3kV/50Hz IP23	
	1080 4077 03		ZR 300 5kV/50Hz IP23		1080 2929 82			ZR 400 3.3kV/50Hz IP55	
	1080 2955 63		ZR 300 5kV/50Hz IP55		1080 4077 43			ZR 400 3.3kV/60Hz IP23	
	1080 4077 06		ZR 300 6.6kV/50Hz IP23		1080 2929 93			ZR 400 3.3kV/60Hz IP55	
	1080 2955 66		ZR 300 6.6kV/50Hz IP55		1080 4077 44			ZR 400 4.16kV/60Hz IP23	
	1080 2944 86		ZR 300 6.6kV/60Hz IP23		1080 2929 94			ZR 400 4.16kV/60Hz IP55	
	1080 4078 36		ZR 300 6.6kV/60Hz IP55		1080 4077 23			ZR 400 5kV/50Hz IP23	
	1080 4077 05		ZR 300 6kV/50Hz IP23		1080 2929 83			ZR 400 5kV/50Hz IP55	
	1080 2955 65		ZR 300 6kV/50Hz IP55		1080 4077 24			ZR 400 5.5kV/50Hz IP23	
	1080 2944 85		ZR 300 6kV/60Hz IP23		1080 2929 84			ZR 400 5.5kV/50Hz IP55	
	1080 4078 35		ZR 300 6kV/60Hz IP55		1080 4077 26			ZR 400 6.6kV/50Hz IP23	
	1080 2944 91		ZR 315 2.3kV/60Hz IP23		1080 2929 86			ZR 400 6.6kV/50Hz IP55	
	1080 4078 41		ZR 315 2.3kV/60Hz IP55		1080 4077 46			ZR 400 6.6kV/60Hz IP23	
	1080 4077 01		ZR 315 3kV/50Hz IP23		1080 2929 96			ZR 400 6.6kV/60Hz IP55	
	1080 2955 61		ZR 315 3kV/50Hz IP55		1080 4077 25			ZR 400 6kV/50Hz IP23	
	1080 2944 92		ZR 315 3kV/60Hz IP23		1080 2929 85			ZR 400 6kV/50Hz IP55	
	1080 4078 42		ZR 315 3kV/60Hz IP55		1080 4077 45			ZR 400 6kV/60Hz IP23	
	1080 4077 02		ZR 315 3.3kV/50Hz IP23		1080 2929 95			ZR 400 6kV/60Hz IP55	
	1080 2955 62		ZR 315 3.3kV/50Hz IP55		1080 4077 51			ZR 425 2.3kV/60Hz IP23	
	1080 2944 93		ZR 315 3.3kV/60Hz IP23		1080 2946 81			ZR 425 3kV/50Hz IP23	
	1080 4078 43		ZR 315 3.3kV/60Hz IP55		1080 2930 51			ZR 425 3kV/50Hz IP55	
	1080 2944 94		ZR 315 4.16kV/60Hz IP23		1080 4077 52			ZR 425 3kV/60Hz IP23	
	1080 4078 44		ZR 315 4.16kV/60Hz IP55		1080 2946 82			ZR 425 3.3kV/50Hz IP23	
	1080 4077 03		ZR 315 5kV/50Hz IP23		1080 2930 52			ZR 425 3.3kV/50Hz IP55	
	1080 2955 63		ZR 315 5kV/50Hz IP55		1080 4077 53			ZR 425 3.3kV/60Hz IP23	
	1080 4077 04		ZR 315 5.5kV/50Hz IP23		1080 4077 54			ZR 425 4.16kV/60Hz IP23	
	1080 2955 64		ZR 315 5.5kV/50Hz IP55		1080 2946 83			ZR 425 5kV/50Hz IP23	
	1080 4077 06		ZR 315 6.6kV/50Hz IP23		1080 2930 53			ZR 425 5kV/50Hz IP55	
	1080 2955 66		ZR 315 6.6kV/50Hz IP55		1080 2946 84			ZR 425 5.5kV/50Hz IP23	
	1080 2944 96		ZR 315 6.6kV/60Hz IP23		1080 2930 54			ZR 425 5.5kV/50Hz IP55	
	1080 4078 46		ZR 315 6.6kV/60Hz IP55		1080 2946 86			ZR 425 6.6kV/50Hz IP23	
	1080 4077 05		ZR 315 6kV/50Hz IP23		1080 2930 56			ZR 425 6.6kV/50Hz IP55	
	1080 2955 65		ZR 315 6kV/50Hz IP55		1080 4077 56			ZR 425 6.6kV/60Hz IP23	
	1080 2944 95		ZR 315 6kV/60Hz IP23		1080 2946 85			ZR 425 6kV/50Hz IP23	
	1080 4078 45		ZR 315 6kV/60Hz IP55		1080 2930 55			ZR 425 6kV/50Hz IP55	
	1080 4077 31		ZR 355 2.3kV/60Hz IP23		1080 4077 55			ZR 425 6kV/60Hz IP23	
	1080 2955 71		ZR 355 2.3kV/60Hz IP55		3010	1		Coupl.housing	
	1080 4077 11		ZR 355 3kV/50Hz IP23		1621 1692 00			ZR 300 2.3kV/60Hz IP23	
	1080 2929 71		ZR 355 3kV/50Hz IP55		1621 1500 00			ZR 300 2.3kV/60Hz IP55	
	1080 4077 32		ZR 355 3kV/60Hz IP23		1621 1500 00			ZR 300 3kV/50Hz IP23	
	1080 2955 72		ZR 355 3kV/60Hz IP55		1621 1500 00			ZR 300 3kV/50Hz IP55	
	1080 4077 12		ZR 355 3.3kV/50Hz IP23		1621 1692 00			ZR 300 3kV/60Hz IP23	

11



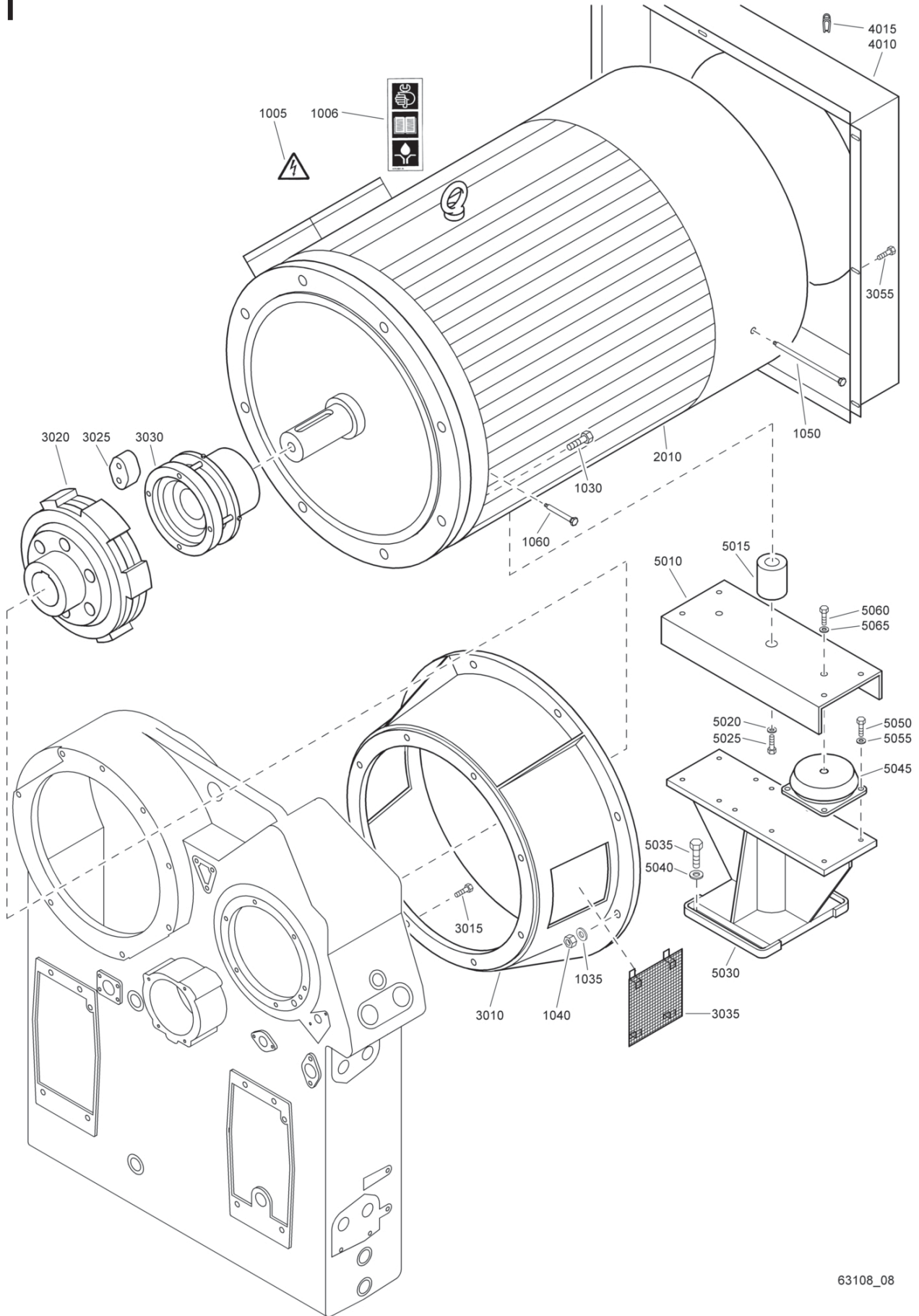
63108_08

Drive arrangement E - Arrangement E - Medium Voltage

11

Ref.	Part number	Qty	Name	Remarks	Ref.	Part number	Qty	Name	Remarks
1621	1500 00		ZR 300 3kV/60Hz IP55		1621	1500 00		ZR 355 6.6kV/60Hz IP23	
1621	1500 00		ZR 300 3.3kV/50Hz IP23		1621	1500 00		ZR 355 6.6kV/60Hz IP55	
1621	1500 00		ZR 300 3.3kV/50Hz IP55		1621	1500 00		ZR 400 2.3kV/60Hz IP23	
1621	1692 00		ZR 300 3.3kV/60Hz IP23		1621	1842 00		ZR 400 2.3kV/60Hz IP55	
1621	1500 00		ZR 300 3.3kV/60Hz IP55		1621	1500 00		ZR 400 3kV/50Hz IP23	
1621	1692 00		ZR 300 4.16kV/60Hz IP23		1621	1842 00		ZR 400 3kV/50Hz IP55	
1621	1500 00		ZR 300 4.16kV/60Hz IP55		1621	1500 00		ZR 400 3kV/60Hz IP23	
1621	1500 00		ZR 300 5kV/50Hz IP23		1621	1842 00		ZR 400 3kV/60Hz IP55	
1621	1500 00		ZR 300 5kV/50Hz IP55		1621	1500 00		ZR 400 3.3kV/50Hz IP23	
1621	1500 00		ZR 300 5.5kV/50Hz IP23		1621	1842 00		ZR 400 3.3kV/50Hz IP55	
1621	1500 00		ZR 300 5.5kV/50Hz IP55		1621	1500 00		ZR 400 3.3kV/60Hz IP23	
1621	1500 00		ZR 300 6kV/50Hz IP23		1621	1842 00		ZR 400 3.3kV/60Hz IP55	
1621	1500 00		ZR 300 6kV/50Hz IP55		1621	1500 00		ZR 400 4.16kV/60Hz IP23	
1621	1692 00		ZR 300 6kV/60Hz IP23		1621	1842 00		ZR 400 4.16kV/60Hz IP55	
1621	1500 00		ZR 300 6kV/60Hz IP55		1621	1500 00		ZR 400 5kV/50Hz IP23	
1621	1500 00		ZR 300 6.6kV/50Hz IP23		1621	1842 00		ZR 400 5kV/50Hz IP55	
1621	1500 00		ZR 300 6.6kV/50Hz IP55		1621	1500 00		ZR 400 5.5kV/50Hz IP23	
1621	1692 00		ZR 300 6.6kV/60Hz IP23		1621	1842 00		ZR 400 5.5kV/50Hz IP55	
1621	1500 00		ZR 300 6.6kV/60Hz IP55		1621	1500 00		ZR 400 6kV/50Hz IP23	
1621	1692 00		ZR 315 2.3kV/60Hz IP23		1621	1842 00		ZR 400 6kV/50Hz IP55	
1621	1500 00		ZR 315 2.3kV/60Hz IP55		1621	1500 00		ZR 400 6kV/60Hz IP23	
1621	1500 00		ZR 315 3kV/50Hz IP23		1621	1842 00		ZR 400 6kV/60Hz IP55	
1621	1500 00		ZR 315 3kV/50Hz IP55		1621	1500 00		ZR 400 6.6kV/50Hz IP23	
1621	1692 00		ZR 315 3kV/60Hz IP23		1621	1842 00		ZR 400 6.6kV/50Hz IP55	
1621	1500 00		ZR 315 3kV/60Hz IP55		1621	1500 00		ZR 400 6.6kV/60Hz IP23	
1621	1500 00		ZR 315 3.3kV/50Hz IP23		1621	1842 00		ZR 400 6.6kV/60Hz IP55	
1621	1500 00		ZR 315 3.3kV/50Hz IP55		1621	1500 00		ZR 425 3kV/50Hz IP23	
1621	1692 00		ZR 315 3.3kV/60Hz IP23		1621	1842 00		ZR 425 3kV/50Hz IP55	
1621	1500 00		ZR 315 3.3kV/60Hz IP55		1621	1500 00		ZR 425 3.3kV/50Hz IP23	
1621	1692 00		ZR 315 4.16kV/60Hz IP23		1621	1842 00		ZR 425 3.3kV/50Hz IP55	
1621	1500 00		ZR 315 4.16kV/60Hz IP55		1621	1500 00		ZR 425 5kV/50Hz IP23	
1621	1500 00		ZR 315 5kV/50Hz IP23		1621	1842 00		ZR 425 5kV/50Hz IP55	
1621	1500 00		ZR 315 5kV/50Hz IP55		1621	1500 00		ZR 425 5.5kV/50Hz IP23	
1621	1500 00		ZR 315 5.5kV/50Hz IP23		1621	1842 00		ZR 425 5.5kV/50Hz IP55	
1621	1500 00		ZR 315 5.5kV/50Hz IP55		1621	1500 00		ZR 425 6kV/50Hz IP23	
1621	1500 00		ZR 315 6kV/50Hz IP23		1621	1842 00		ZR 425 6kV/50Hz IP55	
1621	1500 00		ZR 315 6kV/50Hz IP55		1621	1500 00		ZR 425 6.6kV/50Hz IP23	
1621	1692 00		ZR 315 6kV/60Hz IP23		1621	1842 00		ZR 425 6.6kV/50Hz IP55	
1621	1500 00		ZR 315 6kV/60Hz IP55		3015	0147 1483 03	8	Bolt	
1621	1500 00		ZR 315 6.6kV/50Hz IP23		3020	1621 1718 01	1	Coupling half	
1621	1500 00		ZR 315 6.6kV/50Hz IP55		3025		1	Set rubbers	
1621	1692 00		ZR 315 6.6kV/60Hz IP23			1619 6467 06		ZR 300 2.3kV/60Hz IP23	
1621	1500 00		ZR 315 6.6kV/60Hz IP55			1619 6467 06		ZR 300 2.3kV/60Hz IP55	
1621	1500 00		ZR 355 2.3kV/60Hz IP23			1619 6467 06		ZR 300 3kV/50Hz IP23	
1621	1500 00		ZR 355 2.3kV/60Hz IP55			1619 6467 06		ZR 300 3kV/50Hz IP55	
1621	1500 00		ZR 355 3kV/50Hz IP23			1619 6467 06		ZR 300 3kV/60Hz IP23	
1621	1842 00		ZR 355 3kV/50Hz IP55			1619 6467 06		ZR 300 3kV/60Hz IP55	
1621	1500 00		ZR 355 3kV/60Hz IP23			1619 6467 06		ZR 300 3.3kV/50Hz IP23	
1621	1500 00		ZR 355 3kV/60Hz IP55			1619 6467 06		ZR 300 3.3kV/50Hz IP55	
1621	1500 00		ZR 355 3.3kV/50Hz IP23			1619 6467 06		ZR 300 3.3kV/60Hz IP23	
1621	1500 00		ZR 355 3.3kV/50Hz IP55			1619 6467 06		ZR 300 3.3kV/60Hz IP55	
1621	1842 00		ZR 355 3.3kV/60Hz IP23			1619 6467 06		ZR 300 3.3kV/60Hz IP55	
1621	1500 00		ZR 355 3.3kV/60Hz IP55			1619 6467 06		ZR 300 4.16kV/60Hz IP23	
1621	1500 00		ZR 355 4.16kV/60Hz IP23			1619 6467 06		ZR 300 4.16kV/60Hz IP55	
1621	1500 00		ZR 355 4.16kV/60Hz IP55			1619 6467 06		ZR 300 5kV/50Hz IP23	
1621	1500 00		ZR 355 4.16kV/60Hz IP55			1619 6467 06		ZR 300 5kV/50Hz IP55	
1621	1500 00		ZR 355 5kV/50Hz IP23			1619 6467 06		ZR 300 5.5kV/50Hz IP23	
1621	1842 00		ZR 355 5kV/50Hz IP55			1619 6467 06		ZR 300 5.5kV/50Hz IP55	
1621	1500 00		ZR 355 5.5kV/50Hz IP23			1619 6467 06		ZR 300 6kV/50Hz IP23	
1621	1842 00		ZR 355 5.5kV/50Hz IP55			1619 6467 06		ZR 300 6kV/50Hz IP55	
1621	1500 00		ZR 355 6kV/50Hz IP23			1619 6467 06		ZR 300 6kV/60Hz IP23	
1621	1842 00		ZR 355 6kV/50Hz IP55			1619 6467 06		ZR 300 6kV/60Hz IP55	
1621	1500 00		ZR 355 6kV/60Hz IP23			1619 6467 06		ZR 300 6.6kV/50Hz IP23	
1621	1500 00		ZR 355 6kV/60Hz IP55			1619 6467 06		ZR 300 6.6kV/50Hz IP55	
1621	1500 00		ZR 355 6.6kV/50Hz IP23			1619 6467 06		ZR 300 6.6kV/60Hz IP23	
1621	1842 00		ZR 355 6.6kV/50Hz IP55			1619 6467 06		ZR 300 6.6kV/60Hz IP55	

11



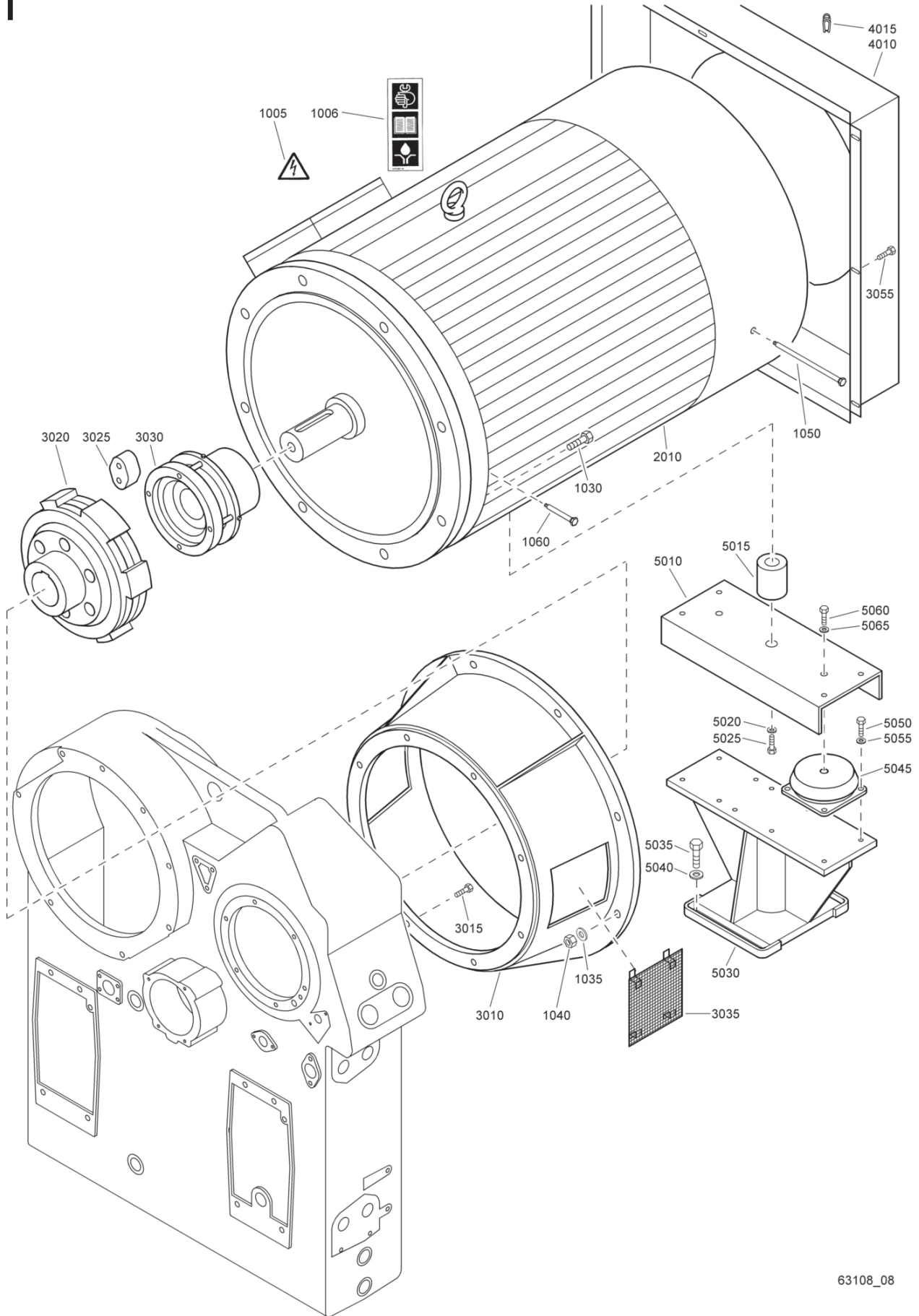
63108_08

Drive arrangement E - Arrangement E - Medium Voltage

11

Ref.	Part number	Qty	Name	Remarks	Ref.	Part number	Qty	Name	Remarks
1619	6467 06		ZR 315 2.3kV/60Hz IP23		1619	6467 06		ZR 400 6kV/50Hz IP55	
1619	6467 06		ZR 315 2.3kV/60Hz IP55		1619	6467 06		ZR 400 6kV/60Hz IP23	
1619	6467 06		ZR 315 3kV/50Hz IP23		1619	6467 06		ZR 400 6kV/60Hz IP55	
1619	6467 06		ZR 315 3kV/50Hz IP55		1619	6467 06		ZR 400 6.6kV/50Hz IP23	
1619	6467 06		ZR 315 3kV/60Hz IP23		1619	6467 06		ZR 400 6.6kV/50Hz IP55	
1619	6467 06		ZR 315 3kV/60Hz IP55		1619	6467 06		ZR 400 6.6kV/60Hz IP23	
1619	6467 06		ZR 315 3.3kV/50Hz IP23		1619	6467 06		ZR 400 6.6kV/60Hz IP55	
1619	6467 06		ZR 315 3.3kV/50Hz IP55		1619	6467 06		ZR 425 3kV/50Hz IP23	
1619	6467 06		ZR 315 3.3kV/60Hz IP23		1619	6467 06		ZR 425 3kV/50Hz IP55	
1619	6467 06		ZR 315 3.3kV/60Hz IP55		1619	6467 06		ZR 425 3.3kV/50Hz IP23	
1619	6467 06		ZR 315 4.16kV/60Hz IP23		1619	6467 06		ZR 425 3.3kV/50Hz IP55	
1619	6467 06		ZR 315 4.16kV/60Hz IP55		1619	6467 06		ZR 425 5kV/50Hz IP23	
1619	6467 06		ZR 315 5kV/50Hz IP23		1619	6467 06		ZR 425 5kV/50Hz IP55	
1619	6467 06		ZR 315 5kV/50Hz IP55		1619	6467 06		ZR 425 5.5kV/50Hz IP23	
1619	6467 06		ZR 315 5.5kV/50Hz IP23		1619	6467 06		ZR 425 5.5kV/50Hz IP55	
1619	6467 06		ZR 315 5.5kV/50Hz IP55		1619	6467 06		ZR 425 6kV/50Hz IP23	
1619	6467 06		ZR 315 6kV/50Hz IP23		1619	6467 06		ZR 425 6kV/50Hz IP55	
1619	6467 06		ZR 315 6kV/50Hz IP55		1619	6467 06		ZR 425 6.6kV/50Hz IP23	
1619	6467 06		ZR 315 6kV/60Hz IP23		1619	6467 06		ZR 425 6.6kV/50Hz IP55	
1619	6467 06		ZR 315 6kV/60Hz IP55		3030		1	Coupling half	
1619	6467 06		ZR 315 6.6kV/50Hz IP23		1621	1713 03		ZR 300 2.3kV/60Hz IP23	
1619	6467 06		ZR 315 6.6kV/50Hz IP55		1621	1713 02		ZR 300 2.3kV/60Hz IP55	
1619	6467 06		ZR 315 6.6kV/60Hz IP23		1621	1713 02		ZR 300 3kV/50Hz IP23	
1619	6467 06		ZR 315 6.6kV/60Hz IP55		1621	1713 02		ZR 300 3kV/50Hz IP55	
1619	6467 06		ZR 355 2.3kV/60Hz IP23		1621	1713 03		ZR 300 3kV/60Hz IP23	
1619	6467 06		ZR 355 2.3kV/60Hz IP55		1621	1713 02		ZR 300 3kV/60Hz IP55	
1619	6467 06		ZR 355 3kV/50Hz IP23		1621	1713 02		ZR 300 3.3kV/50Hz IP23	
1619	6467 06		ZR 355 3kV/50Hz IP55		1621	1713 02		ZR 300 3.3kV/50Hz IP55	
1619	6467 06		ZR 355 3kV/60Hz IP23		1621	1713 03		ZR 300 3.3kV/60Hz IP23	
1619	6467 06		ZR 355 3kV/60Hz IP55		1621	1713 02		ZR 300 3.3kV/60Hz IP55	
1619	6467 06		ZR 355 3.3kV/50Hz IP23		1621	1713 03		ZR 300 4.16kV/60Hz IP23	
1619	6467 06		ZR 355 3.3kV/50Hz IP55		1621	1713 02		ZR 300 4.16kV/60Hz IP55	
1619	6467 06		ZR 355 3.3kV/60Hz IP23		1621	1713 02		ZR 300 5kV/50Hz IP23	
1619	6467 06		ZR 355 3.3kV/60Hz IP55		1621	1713 02		ZR 300 5kV/50Hz IP55	
1619	6467 06		ZR 355 4.16kV/60Hz IP23		1621	1713 02		ZR 300 5.5kV/50Hz IP23	
1619	6467 06		ZR 355 4.16kV/60Hz IP55		1621	1713 02		ZR 300 5.5kV/50Hz IP55	
1619	6467 06		ZR 355 5kV/50Hz IP23		1621	1713 02		ZR 300 6kV/50Hz IP23	
1619	6467 06		ZR 355 5kV/50Hz IP55		1621	1713 02		ZR 300 6kV/50Hz IP55	
1619	6467 06		ZR 355 5.5kV/50Hz IP23		1621	1713 03		ZR 300 6kV/60Hz IP23	
1619	6467 06		ZR 355 5.5kV/50Hz IP55		1621	1713 02		ZR 300 6kV/60Hz IP55	
1619	6467 06		ZR 355 6kV/50Hz IP23		1621	1713 02		ZR 300 6.6kV/50Hz IP23	
1619	6467 06		ZR 355 6kV/50Hz IP55		1621	1713 02		ZR 300 6.6kV/50Hz IP55	
1619	6467 06		ZR 355 6kV/60Hz IP23		1621	1713 03		ZR 300 6.6kV/60Hz IP23	
1619	6467 06		ZR 355 6kV/60Hz IP55		1621	1713 02		ZR 300 6.6kV/60Hz IP55	
1619	6467 06		ZR 355 6.6kV/50Hz IP23		1621	1713 03		ZR 315 2.3kV/60Hz IP23	
1619	6467 06		ZR 355 6.6kV/50Hz IP55		1621	1713 02		ZR 315 2.3kV/60Hz IP55	
1619	6467 06		ZR 355 6.6kV/60Hz IP23		1621	1713 02		ZR 315 3kV/50Hz IP23	
1619	6467 06		ZR 355 6.6kV/60Hz IP55		1621	1713 02		ZR 315 3kV/50Hz IP55	
1619	6467 06		ZR 400 2.3kV/60Hz IP23		1621	1713 03		ZR 315 3kV/60Hz IP23	
1619	6467 06		ZR 400 2.3kV/60Hz IP55		1621	1713 02		ZR 315 3kV/60Hz IP55	
1619	6467 06		ZR 400 3kV/50Hz IP23		1621	1713 02		ZR 315 3.3kV/50Hz IP23	
1619	6467 06		ZR 400 3kV/50Hz IP55		1621	1713 02		ZR 315 3.3kV/50Hz IP55	
1619	6467 06		ZR 400 3kV/60Hz IP23		1621	1713 03		ZR 315 3.3kV/60Hz IP23	
1619	6467 06		ZR 400 3kV/60Hz IP55		1621	1713 02		ZR 315 3.3kV/60Hz IP55	
1619	6467 06		ZR 400 3.3kV/50Hz IP23		1621	1713 03		ZR 315 4.16kV/60Hz IP23	
1619	6467 06		ZR 400 3.3kV/50Hz IP55		1621	1713 02		ZR 315 4.16kV/60Hz IP55	
1619	6467 06		ZR 400 3.3kV/60Hz IP23		1621	1713 02		ZR 315 5kV/50Hz IP23	
1619	6467 06		ZR 400 3.3kV/60Hz IP55		1621	1713 02		ZR 315 5kV/50Hz IP55	
1619	6467 06		ZR 400 4.16kV/60Hz IP23		1621	1713 02		ZR 315 5.5kV/50Hz IP23	
1619	6467 06		ZR 400 4.16kV/60Hz IP55		1621	1713 02		ZR 315 5.5kV/50Hz IP55	
1619	6467 06		ZR 400 5kV/50Hz IP23		1621	1713 02		ZR 315 6kV/50Hz IP23	
1619	6467 06		ZR 400 5kV/50Hz IP55		1621	1713 02		ZR 315 6kV/50Hz IP55	
1619	6467 06		ZR 400 5.5kV/50Hz IP23		1621	1713 03		ZR 315 6kV/60Hz IP23	
1619	6467 06		ZR 400 5.5kV/50Hz IP55		1621	1713 02		ZR 315 6kV/60Hz IP55	
1619	6467 06		ZR 400 6kV/50Hz IP23		1621	1713 02		ZR 315 6.6kV/50Hz IP23	

11



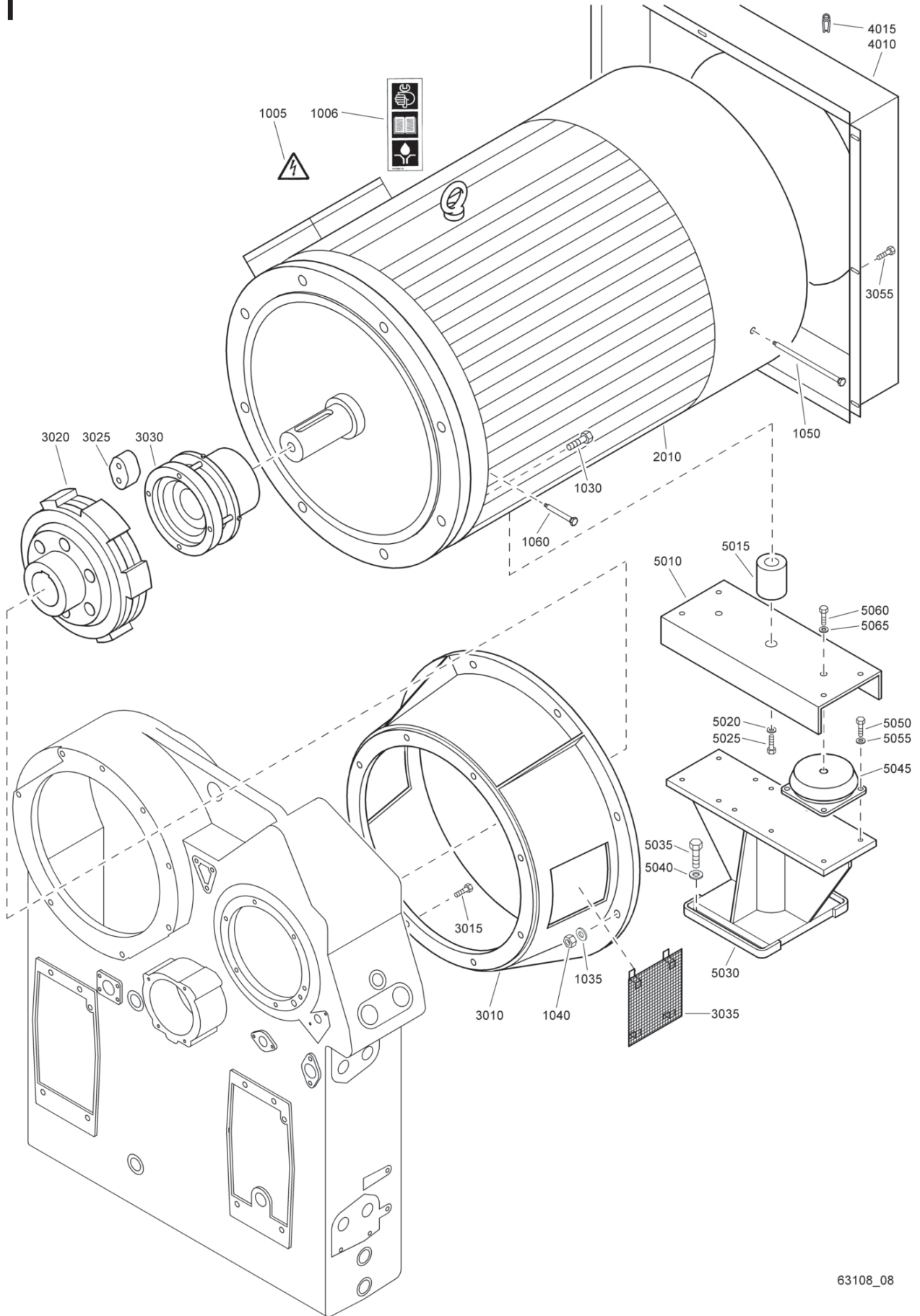
63108_08

Drive arrangement E - Arrangement E - Medium Voltage

11

Ref.	Part number	Qty	Name	Remarks	Ref.	Part number	Qty	Name	Remarks
	1621 1713 02		ZR 315 6.6kV/50Hz IP55				1	Cover	
	1621 1713 03		ZR 315 6.6kV/60Hz IP23		1621 6121 80			ZR 300 2.3kV/60Hz IP23	
	1621 1713 02		ZR 315 6.6kV/60Hz IP55		1621 6094 80			ZR 300 2.3kV/60Hz IP55	
	1621 1713 02		ZR 355 2.3kV/60Hz IP23		1621 6094 80			ZR 300 3kV/50Hz IP23	
	1621 1713 02		ZR 355 2.3kV/60Hz IP55		1621 6094 80			ZR 300 3kV/50Hz IP55	
	1621 1713 02		ZR 355 3kV/50Hz IP23		1621 6121 80			ZR 300 3kV/60Hz IP23	
	1621 1713 04		ZR 355 3kV/50Hz IP55		1621 6094 80			ZR 300 3kV/60Hz IP55	
	1621 1713 02		ZR 355 3kV/60Hz IP23		1621 6094 80			ZR 300 3.3kV/50Hz IP23	
	1621 1713 02		ZR 355 3kV/60Hz IP55		1621 6094 80			ZR 300 3.3kV/50Hz IP55	
	1621 1713 02		ZR 355 3.3kV/50Hz IP23		1621 6121 80			ZR 300 3.3kV/60Hz IP23	
	1621 1713 04		ZR 355 3.3kV/50Hz IP55		1621 6094 80			ZR 300 3.3kV/60Hz IP55	
	1621 1713 02		ZR 355 3.3kV/60Hz IP23		1621 6094 80			ZR 300 4.16kV/60Hz IP23	
	1621 1713 02		ZR 355 3.3kV/60Hz IP55		1621 6094 80			ZR 300 4.16kV/60Hz IP55	
	1621 1713 02		ZR 355 4.16kV/60Hz IP23		1621 6094 80			ZR 300 5kV/50Hz IP23	
	1621 1713 02		ZR 355 4.16kV/60Hz IP55		1621 6094 80			ZR 300 5kV/50Hz IP55	
	1621 1713 02		ZR 355 5kV/50Hz IP23		1621 6094 80			ZR 300 5.5kV/50Hz IP23	
	1621 1713 04		ZR 355 5kV/50Hz IP55		1621 6094 80			ZR 300 5.5kV/50Hz IP55	
	1621 1713 02		ZR 355 5.5kV/50Hz IP23		1621 6094 80			ZR 300 6kV/50Hz IP23	
	1621 1713 04		ZR 355 5.5kV/50Hz IP55		1621 6094 80			ZR 300 6kV/50Hz IP55	
	1621 1713 02		ZR 355 6kV/50Hz IP23		1621 6121 80			ZR 300 6kV/60Hz IP23	
	1621 1713 04		ZR 355 6kV/50Hz IP55		1621 6094 80			ZR 300 6kV/60Hz IP55	
	1621 1713 02		ZR 355 6kV/60Hz IP23		1621 6094 80			ZR 300 6.6kV/50Hz IP23	
	1621 1713 02		ZR 355 6kV/60Hz IP55		1621 6094 80			ZR 300 6.6kV/50Hz IP55	
	1621 1713 02		ZR 355 6.6kV/50Hz IP23		1621 6121 80			ZR 300 6.6kV/60Hz IP23	
	1621 1713 04		ZR 355 6.6kV/50Hz IP55		1621 6094 80			ZR 300 6.6kV/60Hz IP55	
	1621 1713 02		ZR 355 6.6kV/60Hz IP23		1621 6121 80			ZR 315 2.3kV/60Hz IP23	
	1621 1713 02		ZR 355 6.6kV/60Hz IP55		1621 6094 80			ZR 315 2.3kV/60Hz IP55	
	1621 1713 02		ZR 400 2.3kV/60Hz IP23		1621 6094 80			ZR 315 3kV/50Hz IP23	
	1621 1713 04		ZR 400 2.3kV/60Hz IP55		1621 6094 80			ZR 315 3kV/50Hz IP55	
	1621 1713 02		ZR 400 3kV/50Hz IP23		1621 6121 80			ZR 315 3kV/60Hz IP23	
	1621 1713 04		ZR 400 3kV/50Hz IP55		1621 6094 80			ZR 315 3kV/60Hz IP55	
	1621 1713 02		ZR 400 3kV/60Hz IP23		1621 6094 80			ZR 315 3.3kV/50Hz IP23	
	1621 1713 04		ZR 400 3kV/60Hz IP55		1621 6094 80			ZR 315 3.3kV/50Hz IP55	
	1621 1713 02		ZR 400 3.3kV/50Hz IP23		1621 6121 80			ZR 315 3.3kV/60Hz IP23	
	1621 1713 04		ZR 400 3.3kV/50Hz IP55		1621 6094 80			ZR 315 3.3kV/60Hz IP55	
	1621 1713 02		ZR 400 3.3kV/60Hz IP23		1621 6121 80			ZR 315 4.16kV/60Hz IP23	
	1621 1713 04		ZR 400 3.3kV/60Hz IP55		1621 6094 80			ZR 315 4.16kV/60Hz IP55	
	1621 1713 02		ZR 400 4.16kV/60Hz IP23		1621 6094 80			ZR 315 5.5kV/50Hz IP23	
	1621 1713 04		ZR 400 4.16kV/60Hz IP55		1621 6094 80			ZR 315 5.5kV/50Hz IP55	
	1621 1713 02		ZR 400 5kV/50Hz IP23		1621 6094 80			ZR 315 5kV/50Hz IP23	
	1621 1713 04		ZR 400 5kV/50Hz IP55		1621 6094 80			ZR 315 5kV/50Hz IP55	
	1621 1713 02		ZR 400 5.5kV/50Hz IP23		1621 6094 80			ZR 315 6kV/50Hz IP23	
	1621 1713 04		ZR 400 5.5kV/50Hz IP55		1621 6094 80			ZR 315 6kV/50Hz IP55	
	1621 1713 02		ZR 400 6kV/50Hz IP23		1621 6121 80			ZR 315 6kV/60Hz IP23	
	1621 1713 04		ZR 400 6kV/50Hz IP55		1621 6094 80			ZR 315 6kV/60Hz IP55	
	1621 1713 02		ZR 400 6kV/60Hz IP23		1621 6094 80			ZR 315 6.6kV/50Hz IP23	
	1621 1713 04		ZR 400 6kV/60Hz IP55		1621 6094 80			ZR 315 6.6kV/50Hz IP55	
	1621 1713 02		ZR 400 6.6kV/50Hz IP23		1621 6121 80			ZR 315 6.6kV/60Hz IP23	
	1621 1713 04		ZR 400 6.6kV/50Hz IP55		1621 6094 80			ZR 315 6.6kV/60Hz IP55	
	1621 1713 02		ZR 400 6.6kV/60Hz IP23		1621 6094 80			ZR 355 2.3kV/60Hz IP23	
	1621 1713 04		ZR 400 6.6kV/60Hz IP55		1621 6094 80			ZR 355 2.3kV/60Hz IP55	
	1621 1713 02		ZR 425 3kV/50Hz IP23		1621 6094 80			ZR 355 3kV/50Hz IP23	
	1621 1713 04		ZR 425 3kV/50Hz IP55		1621 6279 80			ZR 355 3kV/50Hz IP55	
	1621 1713 02		ZR 425 3.3kV/50Hz IP23		1621 6094 80			ZR 355 3kV/60Hz IP23	
	1621 1713 04		ZR 425 3.3kV/50Hz IP55		1621 6094 80			ZR 355 3kV/60Hz IP55	
	1621 1713 02		ZR 425 5kV/50Hz IP23		1621 6094 80			ZR 355 3.3kV/50Hz IP23	
	1621 1713 04		ZR 425 5kV/50Hz IP55		1621 6279 80			ZR 355 3.3kV/50Hz IP55	
	1621 1713 02		ZR 425 5.5kV/50Hz IP23		1621 6094 80			ZR 355 3.3kV/60Hz IP23	
	1621 1713 04		ZR 425 5.5kV/50Hz IP55		1621 6094 80			ZR 355 3.3kV/60Hz IP55	
	1621 1713 02		ZR 425 6kV/50Hz IP23		1621 6094 80			ZR 355 4.16kV/60Hz IP23	
	1621 1713 04		ZR 425 6kV/50Hz IP55		1621 6094 80			ZR 355 4.16kV/60Hz IP55	
	1621 1713 02		ZR 425 6.6kV/50Hz IP23		1621 6094 80			ZR 355 5kV/50Hz IP23	
	1621 1713 04		ZR 425 6.6kV/50Hz IP55		1621 6094 80			ZR 355 5kV/50Hz IP55	
3035	1621 1673 00	2	Guard		1621 6279 80			ZR 355 5.5kV/50Hz IP23	
3055	1619 2766 00	8	Bolt		1621 6279 80			ZR 355 5.5kV/50Hz IP55	

11



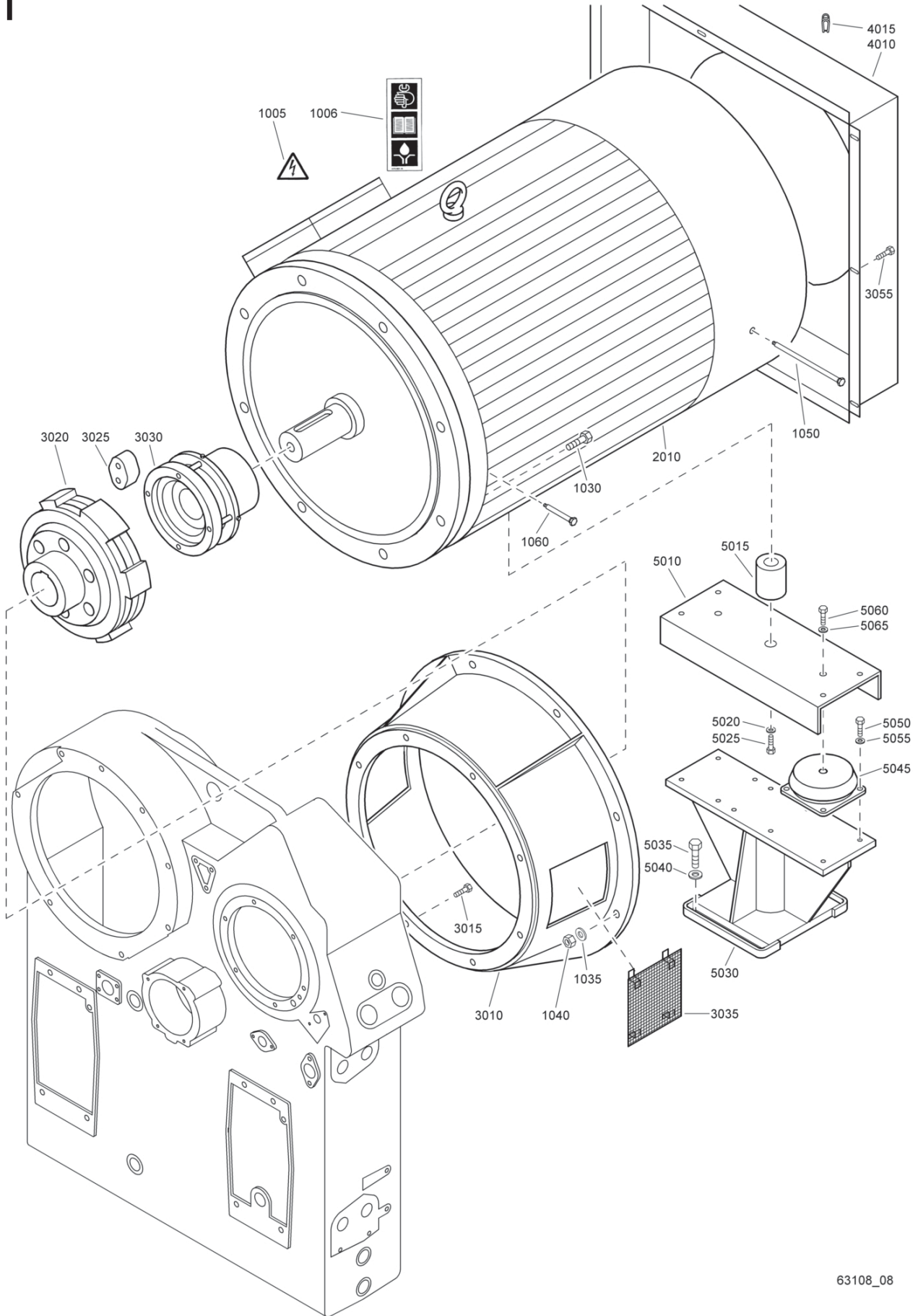
63108_08

Drive arrangement E - Arrangement E - Medium Voltage

11

Ref.	Part number	Qty	Name	Remarks	Ref.	Part number	Qty	Name	Remarks
	1621 6094 80		ZR 355 6kV/50Hz IP23		1621 1661 02	ZR 300 6kV/60Hz IP23			
	1621 6279 80		ZR 355 6kV/50Hz IP55		1621 1661 02	ZR 300 6kV/60Hz IP55			
	1621 6094 80		ZR 355 6kV/60Hz IP23		1621 1661 02	ZR 300 6.6kV/50Hz IP23			
	1621 6094 80		ZR 355 6kV/60Hz IP55		1621 1661 02	ZR 300 6.6kV/50Hz IP55			
	1621 6094 80		ZR 355 6.6kV/50Hz IP23		1621 1661 02	ZR 300 6.6kV/60Hz IP23			
	1621 6279 80		ZR 355 6.6kV/50Hz IP55		1621 1661 02	ZR 300 6.6kV/60Hz IP55			
	1621 6094 80		ZR 355 6.6kV/60Hz IP23		1621 1661 02	ZR 315 2.3kV/60Hz IP23			
	1621 6094 80		ZR 355 6.6kV/60Hz IP55		1621 1661 02	ZR 315 2.3kV/60Hz IP55			
	1621 6094 80		ZR 400 2.3kV/60Hz IP23		1621 1661 02	ZR 315 3kV/50Hz IP23			
	1621 6279 80		ZR 400 2.3kV/60Hz IP55		1621 1661 02	ZR 315 3kV/50Hz IP55			
	1621 6094 80		ZR 400 3.3kV/50Hz IP23		1621 1661 02	ZR 315 3kV/60Hz IP23			
	1621 6094 80		ZR 400 3kV/50Hz IP23		1621 1661 02	ZR 315 3kV/60Hz IP55			
	1621 6279 80		ZR 400 3kV/50Hz IP55		1621 1661 02	ZR 315 3.3kV/50Hz IP23			
	1621 6094 80		ZR 400 3kV/60Hz IP23		1621 1661 02	ZR 315 3.3kV/50Hz IP55			
	1621 6279 80		ZR 400 3kV/60Hz IP55		1621 1661 02	ZR 315 3.3kV/60Hz IP23			
	1621 6279 80		ZR 400 3.3kV/50Hz IP55		1621 1661 02	ZR 315 3.3kV/60Hz IP55			
	1621 6094 80		ZR 400 3.3kV/60Hz IP23		1621 1661 02	ZR 315 3.3kV/60Hz IP55			
	1621 6279 80		ZR 400 3.3kV/60Hz IP55		1621 1661 02	ZR 315 4.16kV/60Hz IP23			
	1621 6094 80		ZR 400 4.16kV/60Hz IP23		1621 1661 02	ZR 315 4.16kV/60Hz IP55			
	1621 6279 80		ZR 400 4.16kV/60Hz IP55		1621 1661 02	ZR 315 5kV/50Hz IP23			
	1621 6094 80		ZR 400 5kV/50Hz IP23		1621 1661 02	ZR 315 5kV/50Hz IP55			
	1621 6279 80		ZR 400 5kV/50Hz IP55		1621 1661 02	ZR 315 5.5kV/50Hz IP23			
	1621 6094 80		ZR 400 5.5kV/50Hz IP23		1621 1661 02	ZR 315 5.5kV/50Hz IP55			
	1621 6279 80		ZR 400 5.5kV/50Hz IP55		1621 1661 02	ZR 315 6kV/50Hz IP23			
	1621 6094 80		ZR 400 6kV/50Hz IP23		1621 1661 02	ZR 315 6kV/50Hz IP55			
	1621 6279 80		ZR 400 6kV/50Hz IP55		1621 1661 02	ZR 315 6kV/60Hz IP23			
	1621 6094 80		ZR 400 6kV/60Hz IP23		1621 1661 02	ZR 315 6kV/60Hz IP55			
	1621 6279 80		ZR 400 6kV/60Hz IP55		1621 1661 02	ZR 315 6.6kV/50Hz IP23			
	1621 6094 80		ZR 400 6kV/60Hz IP55		1621 1661 02	ZR 315 6.6kV/50Hz IP55			
	1621 6279 80		ZR 400 6.6kV/50Hz IP23		1621 1661 02	ZR 315 6.6kV/60Hz IP23			
	1621 6279 80		ZR 400 6.6kV/50Hz IP55		1621 1661 02	ZR 315 6.6kV/60Hz IP55			
	1621 6094 80		ZR 400 6.6kV/60Hz IP23		1621 1661 02	ZR 355 2.3kV/60Hz IP23			
	1621 6279 80		ZR 400 6.6kV/60Hz IP55		1621 1661 02	ZR 355 2.3kV/60Hz IP55			
	1621 6094 80		ZR 425 3kV/50Hz IP23		1621 1661 02	ZR 355 3kV/50Hz IP23			
	1621 6279 80		ZR 425 3kV/50Hz IP55		1621 6210 00	ZR 355 3kV/50Hz IP55			
	1621 6094 80		ZR 425 3.3kV/50Hz IP23		1621 1661 02	ZR 355 3kV/60Hz IP23			
	1621 6279 80		ZR 425 3.3kV/50Hz IP55		1621 1661 02	ZR 355 3kV/60Hz IP55			
	1621 6094 80		ZR 425 5kV/50Hz IP23		1621 1661 02	ZR 355 3.3kV/50Hz IP23			
	1621 6279 80		ZR 425 5kV/50Hz IP55		1621 6210 00	ZR 355 3.3kV/50Hz IP55			
	1621 6094 80		ZR 425 5.5kV/50Hz IP23		1621 1661 02	ZR 355 3.3kV/60Hz IP23			
	1621 6279 80		ZR 425 5.5kV/50Hz IP55		1621 1661 02	ZR 355 3.3kV/60Hz IP55			
	1621 6094 80		ZR 425 6kV/50Hz IP23		1621 1661 02	ZR 355 4.16kV/60Hz IP23			
	1621 6279 80		ZR 425 6kV/50Hz IP55		1621 1661 02	ZR 355 4.16kV/60Hz IP55			
	1621 6094 80		ZR 425 6.6kV/50Hz IP23		1621 1661 02	ZR 355 5kV/50Hz IP23			
	1621 6279 80		ZR 425 6.6kV/50Hz IP55		1621 6210 00	ZR 355 5kV/50Hz IP55			
4010		• 1	Cover		1621 1661 02	ZR 355 5.5kV/50Hz IP23			
4015	1619 2473 00	• AR	Seal		1621 6210 00	ZR 355 5.5kV/50Hz IP55			
5010		1	Support		1621 1661 02	ZR 355 6kV/50Hz IP23			
	1621 1661 02		ZR 300 2.3kV/60Hz IP23		1621 6210 00	ZR 355 6kV/50Hz IP55			
	1621 1661 02		ZR 300 2.3kV/60Hz IP55		1621 1661 02	ZR 355 6kV/60Hz IP23			
	1621 1661 02		ZR 300 3kV/50Hz IP23		1621 1661 02	ZR 355 6kV/60Hz IP55			
	1621 1661 02		ZR 300 3kV/50Hz IP55		1621 1661 02	ZR 355 6.6kV/50Hz IP23			
	1621 1661 02		ZR 300 3kV/60Hz IP23		1621 6210 00	ZR 355 6.6kV/50Hz IP55			
	1621 1661 02		ZR 300 3kV/60Hz IP55		1621 1661 02	ZR 355 6.6kV/60Hz IP23			
	1621 1661 02		ZR 300 3.3kV/50Hz IP23		1621 1661 02	ZR 355 6.6kV/60Hz IP55			
	1621 1661 02		ZR 300 3.3kV/50Hz IP55		1621 1661 02	ZR 400 2.3kV/60Hz IP23			
	1621 1661 02		ZR 300 3.3kV/60Hz IP23		1621 1661 02	ZR 400 2.3kV/60Hz IP55			
	1621 1661 02		ZR 300 3.3kV/60Hz IP55		1621 6210 00	ZR 400 2.3kV/60Hz IP55			
	1621 1661 02		ZR 300 3.3kV/60Hz IP55		1621 1661 02	ZR 400 3kV/50Hz IP23			
	1621 1661 02		ZR 300 4.16kV/60Hz IP23		1621 6210 00	ZR 400 3kV/50Hz IP55			
	1621 1661 02		ZR 300 4.16kV/60Hz IP55		1621 1661 02	ZR 400 3kV/60Hz IP23			
	1621 1661 02		ZR 300 5kV/50Hz IP23		1621 6210 00	ZR 400 3kV/60Hz IP55			
	1621 1661 02		ZR 300 5kV/50Hz IP55		1621 1661 02	ZR 400 3.3kV/50Hz IP23			
	1621 1661 02		ZR 300 5.5kV/50Hz IP23		1621 6210 00	ZR 400 3.3kV/50Hz IP55			
	1621 1661 02		ZR 300 5.5kV/50Hz IP55		1621 1661 02	ZR 400 3.3kV/60Hz IP23			
	1621 1661 02		ZR 300 6kV/50Hz IP23		1621 6210 00	ZR 400 3.3kV/60Hz IP55			
	1621 1661 02		ZR 300 6kV/50Hz IP55		1621 1661 02	ZR 400 4.16kV/60Hz IP23			

11



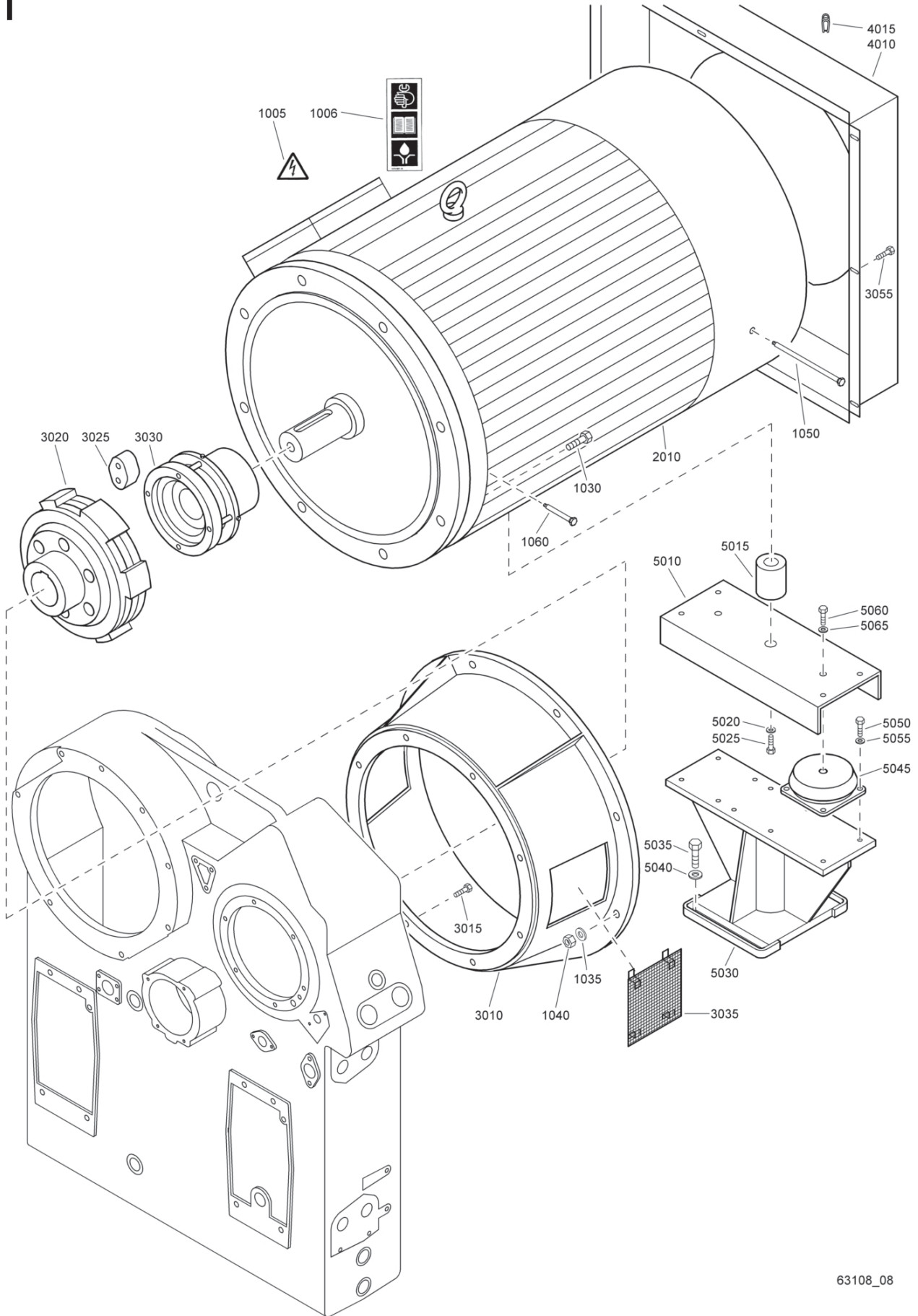
63108_08

Drive arrangement E - Arrangement E - Medium Voltage

11

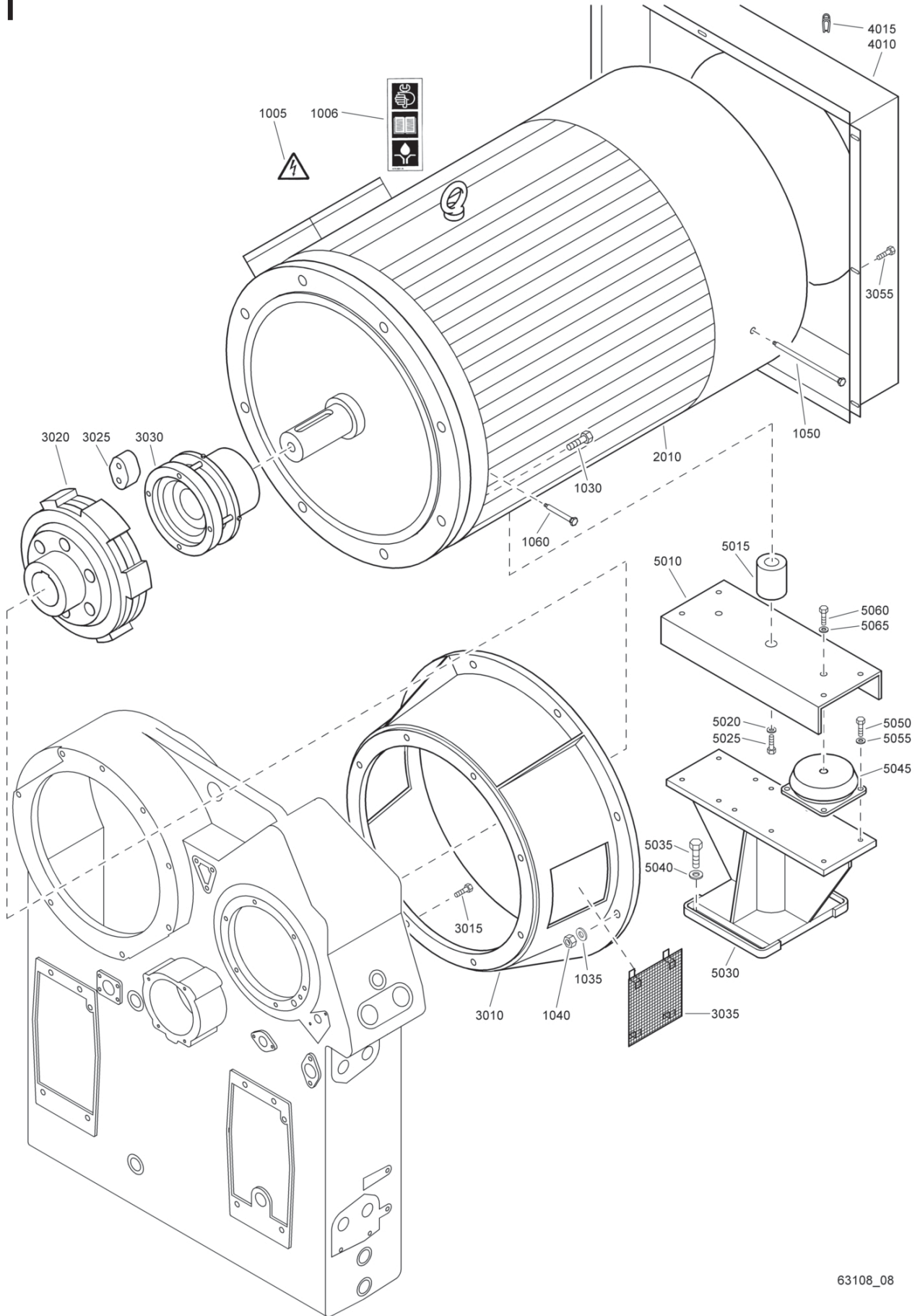
Ref.	Part number	Qty	Name	Remarks	Ref.	Part number	Qty	Name	Remarks
	1621 6210 00		ZR 400 4.16kV/60Hz IP55		1621 1691 05		ZR 315 5.5kV/50Hz IP55		
	1621 1661 02		ZR 400 5kV/50Hz IP23		1621 1691 05		ZR 315 6kV/50Hz IP23		
	1621 6210 00		ZR 400 5kV/50Hz IP55		1621 1691 05		ZR 315 6kV/50Hz IP55		
	1621 1661 02		ZR 400 5.5kV/50Hz IP23		1621 1691 04		ZR 315 6kV/60Hz IP23		
	1621 6210 00		ZR 400 5.5kV/50Hz IP55		1621 1691 05		ZR 315 6kV/60Hz IP55		
	1621 1661 02		ZR 400 6kV/50Hz IP23		1621 1691 05		ZR 315 6.6kV/50Hz IP23		
	1621 6210 00		ZR 400 6kV/50Hz IP55		1621 1691 05		ZR 315 6.6kV/50Hz IP55		
	1621 1661 02		ZR 400 6kV/60Hz IP23		1621 1691 04		ZR 315 6.6kV/60Hz IP23		
	1621 6210 00		ZR 400 6kV/60Hz IP55		1621 1691 05		ZR 315 6.6kV/60Hz IP55		
	1621 1661 02		ZR 400 6.6kV/50Hz IP23		1621 1691 05		ZR 355 2.3kV/60Hz IP23		
	1621 6210 00		ZR 400 6.6kV/50Hz IP55		1621 1691 05		ZR 355 2.3kV/60Hz IP55		
	1621 1661 02		ZR 400 6.6kV/60Hz IP23		1621 1691 05		ZR 355 3kV/50Hz IP23		
	1621 6210 00		ZR 400 6.6kV/60Hz IP55		1621 1691 01		ZR 355 3kV/50Hz IP55		
	1621 1661 02		ZR 425 3kV/50Hz IP23		1621 1691 05		ZR 355 3kV/60Hz IP23		
	1621 6210 00		ZR 425 3kV/50Hz IP55		1621 1691 05		ZR 355 3kV/60Hz IP55		
	1621 1661 02		ZR 425 3.3kV/50Hz IP23		1621 1691 05		ZR 355 3.3kV/50Hz IP23		
	1621 6210 00		ZR 425 3.3kV/50Hz IP55		1621 1691 01		ZR 355 3.3kV/50Hz IP55		
	1621 1661 02		ZR 425 5kV/50Hz IP23		1621 1691 05		ZR 355 3.3kV/60Hz IP23		
	1621 6210 00		ZR 425 5kV/50Hz IP55		1621 1691 05		ZR 355 3.3kV/60Hz IP55		
	1621 1661 02		ZR 425 5.5kV/50Hz IP23		1621 1691 05		ZR 355 4.16kV/60Hz IP23		
	1621 6210 00		ZR 425 5.5kV/50Hz IP55		1621 1691 05		ZR 355 4.16kV/60Hz IP55		
	1621 1661 02		ZR 425 6kV/50Hz IP23		1621 1691 05		ZR 355 5kV/50Hz IP23		
	1621 6210 00		ZR 425 6kV/50Hz IP55		1621 1691 01		ZR 355 5kV/50Hz IP55		
	1621 1661 02		ZR 425 6.6kV/50Hz IP23		1621 1691 05		ZR 355 5.5kV/50Hz IP23		
	1621 6210 00		ZR 425 6.6kV/50Hz IP55		1621 1691 01		ZR 355 5.5kV/50Hz IP55		
5015		1	Spacer		1621 1691 05		ZR 355 6kV/50Hz IP23		
	1621 1691 04		ZR 300 2.3kV/60Hz IP23		1621 1691 01		ZR 355 6kV/50Hz IP55		
	1621 1691 05		ZR 300 2.3kV/60Hz IP55		1621 1691 05		ZR 355 6kV/60Hz IP23		
	1621 1691 05		ZR 300 3kV/50Hz IP23		1621 1691 05		ZR 355 6kV/60Hz IP55		
	1621 1691 05		ZR 300 3kV/50Hz IP55		1621 1691 05		ZR 355 6.6kV/50Hz IP23		
	1621 1691 04		ZR 300 3kV/60Hz IP23		1621 1691 01		ZR 355 6.6kV/50Hz IP55		
	1621 1691 05		ZR 300 3kV/60Hz IP55		1621 1691 05		ZR 355 6.6kV/60Hz IP23		
	1621 1691 05		ZR 300 3.3kV/50Hz IP23		1621 1691 05		ZR 355 6.6kV/60Hz IP55		
	1621 1691 05		ZR 300 3.3kV/50Hz IP55		1621 1691 05		ZR 400 2.3kV/60Hz IP23		
	1621 1691 04		ZR 300 3.3kV/60Hz IP23		1621 1691 01		ZR 400 2.3kV/60Hz IP55		
	1621 1691 05		ZR 300 3.3kV/60Hz IP55		1621 1691 05		ZR 400 3kV/50Hz IP23		
	1621 1691 04		ZR 300 4.16kV/60Hz IP23		1621 1691 01		ZR 400 3kV/50Hz IP55		
	1621 1691 05		ZR 300 4.16kV/60Hz IP55		1621 1691 05		ZR 400 3kV/60Hz IP23		
	1621 1691 05		ZR 300 5kV/50Hz IP23		1621 1691 01		ZR 400 3kV/60Hz IP55		
	1621 1691 05		ZR 300 5kV/50Hz IP55		1621 1691 05		ZR 400 3.3kV/50Hz IP23		
	1621 1691 05		ZR 300 5.5kV/50Hz IP23		1621 1691 01		ZR 400 3.3kV/50Hz IP55		
	1621 1691 05		ZR 300 5.5kV/50Hz IP55		1621 1691 05		ZR 400 3.3kV/60Hz IP23		
	1621 1691 05		ZR 300 6kV/50Hz IP23		1621 1691 01		ZR 400 3.3kV/60Hz IP55		
	1621 1691 05		ZR 300 6kV/50Hz IP55		1621 1691 05		ZR 400 4.16kV/60Hz IP23		
	1621 1691 04		ZR 300 6kV/60Hz IP23		1621 1691 01		ZR 400 4.16kV/60Hz IP55		
	1621 1691 05		ZR 300 6kV/60Hz IP55		1621 1691 05		ZR 400 5kV/50Hz IP23		
	1621 1691 05		ZR 300 6.6kV/50Hz IP23		1621 1691 01		ZR 400 5kV/50Hz IP55		
	1621 1691 05		ZR 300 6.6kV/50Hz IP55		1621 1691 05		ZR 400 5.5kV/50Hz IP23		
	1621 1691 04		ZR 300 6.6kV/60Hz IP23		1621 1691 01		ZR 400 5.5kV/50Hz IP55		
	1621 1691 05		ZR 300 6.6kV/60Hz IP55		1621 1691 05		ZR 400 6kV/50Hz IP23		
	1621 1691 04		ZR 315 2.3kV/60Hz IP23		1621 1691 01		ZR 400 6kV/50Hz IP55		
	1621 1691 05		ZR 315 2.3kV/60Hz IP55		1621 1691 05		ZR 400 6kV/60Hz IP23		
	1621 1691 05		ZR 315 3kV/50Hz IP23		1621 1691 01		ZR 400 6kV/60Hz IP55		
	1621 1691 05		ZR 315 3kV/50Hz IP55		1621 1691 05		ZR 400 6.6kV/50Hz IP23		
	1621 1691 04		ZR 315 3kV/60Hz IP23		1621 1691 01		ZR 400 6.6kV/50Hz IP55		
	1621 1691 05		ZR 315 3kV/60Hz IP55		1621 1691 05		ZR 400 6.6kV/60Hz IP23		
	1621 1691 05		ZR 315 3.3kV/50Hz IP23		1621 1691 01		ZR 400 6.6kV/60Hz IP55		
	1621 1691 05		ZR 315 3.3kV/50Hz IP55		1621 1691 05		ZR 425 3kV/50Hz IP23		
	1621 1691 04		ZR 315 3.3kV/60Hz IP23		1621 1691 01		ZR 425 3kV/50Hz IP55		
	1621 1691 05		ZR 315 3.3kV/60Hz IP55		1621 1691 05		ZR 425 3.3kV/50Hz IP23		
	1621 1691 04		ZR 315 4.16kV/60Hz IP23		1621 1691 01		ZR 425 3.3kV/50Hz IP55		
	1621 1691 05		ZR 315 4.16kV/60Hz IP55		1621 1691 05		ZR 425 5kV/50Hz IP23		
	1621 1691 05		ZR 315 5kV/50Hz IP23		1621 1691 01		ZR 425 5kV/50Hz IP55		
	1621 1691 05		ZR 315 5kV/50Hz IP55		1621 1691 05		ZR 425 5.5kV/50Hz IP23		
	1621 1691 05		ZR 315 5.5kV/50Hz IP23		1621 1691 01		ZR 425 5.5kV/50Hz IP55		

11



63108_08

11



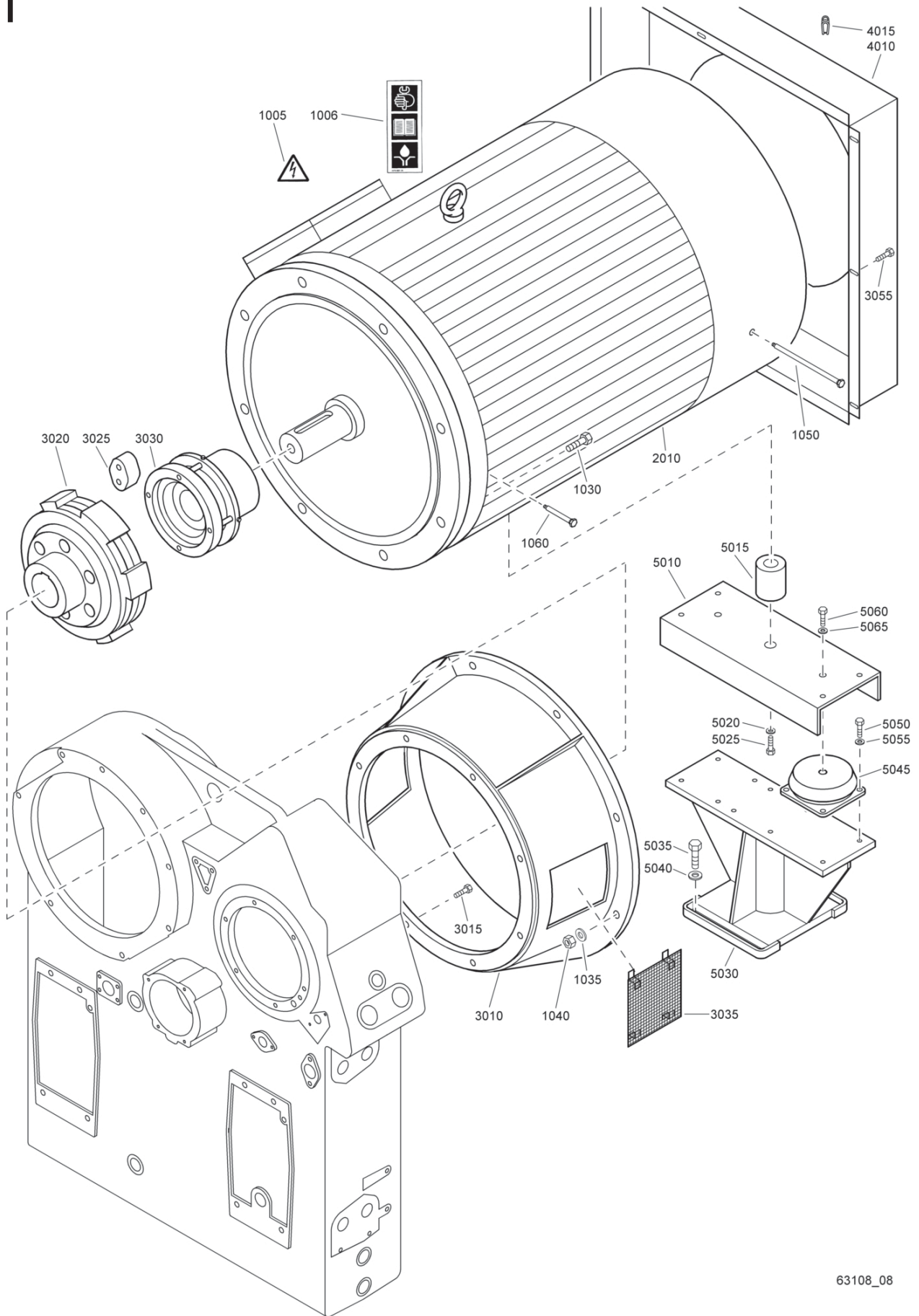
63108_08

Drive arrangement E - Arrangement E - Medium Voltage

11

Ref.	Part number	Qty	Name	Remarks	Ref.	Part number	Qty	Name	Remarks
	0147 1960 96		ZR 300 6kV/50Hz IP23			0147 1961 55		ZR 400 3.3kV/60Hz IP55	
	0147 1960 96		ZR 300 6kV/50Hz IP55			0147 1960 96		ZR 400 4.16kV/60Hz IP23	
	0147 1960 97		ZR 300 6kV/60Hz IP23			0147 1961 55		ZR 400 4.16kV/60Hz IP55	
	0147 1960 96		ZR 300 6kV/60Hz IP55			0147 1960 96		ZR 400 5kV/50Hz IP23	
	0147 1960 96		ZR 300 6.6kV/50Hz IP23			0147 1961 55		ZR 400 5kV/50Hz IP55	
	0147 1960 96		ZR 300 6.6kV/50Hz IP55			0147 1960 96		ZR 400 5.5kV/50Hz IP23	
	0147 1960 97		ZR 300 6.6kV/60Hz IP23			0147 1961 55		ZR 400 5.5kV/50Hz IP55	
	0147 1960 96		ZR 300 6.6kV/60Hz IP55			0147 1960 96		ZR 400 6kV/50Hz IP23	
	0147 1960 97		ZR 315 2.3kV/60Hz IP23			0147 1961 55		ZR 400 6kV/50Hz IP55	
	0147 1960 96		ZR 315 2.3kV/60Hz IP55			0147 1960 96		ZR 400 6kV/60Hz IP23	
	0147 1960 96		ZR 315 3kV/50Hz IP23			0147 1961 55		ZR 400 6kV/60Hz IP55	
	0147 1960 96		ZR 315 3kV/50Hz IP55			0147 1960 96		ZR 400 6.6kV/50Hz IP23	
	0147 1960 97		ZR 315 3kV/60Hz IP23			0147 1961 55		ZR 400 6.6kV/50Hz IP55	
	0147 1960 96		ZR 315 3kV/60Hz IP55			0147 1960 96		ZR 400 6.6kV/60Hz IP23	
	0147 1960 96		ZR 315 3.3kV/50Hz IP23			0147 1961 55		ZR 400 6.6kV/60Hz IP55	
	0147 1960 96		ZR 315 3.3kV/50Hz IP55			0147 1960 96		ZR 425 3kV/50Hz IP23	
	0147 1960 97		ZR 315 3.3kV/60Hz IP23			0147 1961 55		ZR 425 3kV/50Hz IP55	
	0147 1960 96		ZR 315 3.3kV/60Hz IP55			0147 1960 96		ZR 425 3.3kV/50Hz IP23	
	0147 1960 97		ZR 315 4.16kV/60Hz IP23			0147 1961 55		ZR 425 3.3kV/50Hz IP55	
	0147 1960 96		ZR 315 4.16kV/60Hz IP55			0147 1960 96		ZR 425 5kV/50Hz IP23	
	0147 1960 96		ZR 315 5kV/50Hz IP23			0147 1961 55		ZR 425 5kV/50Hz IP55	
	0147 1960 96		ZR 315 5kV/50Hz IP55			0147 1960 96		ZR 425 5.5kV/50Hz IP23	
	0147 1960 96		ZR 315 5.5kV/50Hz IP23			0147 1961 55		ZR 425 5.5kV/50Hz IP55	
	0147 1960 96		ZR 315 5.5kV/50Hz IP55			0147 1960 96		ZR 425 6kV/50Hz IP23	
	0147 1960 96		ZR 315 6kV/50Hz IP23			0147 1961 55		ZR 425 6kV/50Hz IP55	
	0147 1960 96		ZR 315 6kV/50Hz IP55			0147 1960 96		ZR 425 6.6kV/50Hz IP23	
	0147 1960 97		ZR 315 6kV/60Hz IP23			0147 1961 55		ZR 425 6.6kV/50Hz IP55	
	0147 1960 96		ZR 315 6.6kV/50Hz IP23		5030	1621 1504 02	1	Support	LIST 2
	0147 1960 96		ZR 315 6.6kV/50Hz IP55		5030	1621 1504 02	1	Support	
	0147 1960 97		ZR 315 6.6kV/60Hz IP23			1621 1504 02		ZR 300 2.3kV/60Hz IP23	
	0147 1960 96		ZR 315 6.6kV/60Hz IP55			1621 1504 02		ZR 300 2.3kV/60Hz IP55	
	0147 1960 96		ZR 315 6.6kV/60Hz IP55			1621 1504 02		ZR 300 3kV/50Hz IP23	
	0147 1960 96		ZR 355 2.3kV/60Hz IP23			1621 1504 02		ZR 300 3kV/50Hz IP55	
	0147 1960 96		ZR 355 2.3kV/60Hz IP55			1621 1504 02		ZR 300 3kV/60Hz IP23	
	0147 1960 96		ZR 355 3kV/50Hz IP23			1621 1504 02		ZR 300 3kV/60Hz IP55	
	0147 1961 55		ZR 355 3kV/50Hz IP55			1621 1504 02		ZR 300 3.3kV/50Hz IP23	
	0147 1960 96		ZR 355 3kV/60Hz IP23			1621 1504 02		ZR 300 3.3kV/50Hz IP55	
	0147 1960 96		ZR 355 3kV/60Hz IP55			1621 1504 02		ZR 300 3.3kV/60Hz IP23	
	0147 1960 96		ZR 355 3.3kV/50Hz IP23			1621 1504 02		ZR 300 3.3kV/60Hz IP55	
	0147 1961 55		ZR 355 3.3kV/50Hz IP55			1621 1504 02		ZR 300 4.16kV/60Hz IP23	
	0147 1960 96		ZR 355 3.3kV/60Hz IP23			1621 1504 02		ZR 300 4.16kV/60Hz IP55	
	0147 1960 96		ZR 355 3.3kV/60Hz IP55			1621 1504 02		ZR 300 5kV/50Hz IP23	
	0147 1960 96		ZR 355 4.16kV/60Hz IP23			1621 1504 02		ZR 300 5kV/50Hz IP55	
	0147 1960 96		ZR 355 4.16kV/60Hz IP55			1621 1504 02		ZR 300 5.5kV/50Hz IP23	
	0147 1960 96		ZR 355 5kV/50Hz IP23			1621 1504 02		ZR 300 5.5kV/50Hz IP55	
	0147 1961 55		ZR 355 5kV/50Hz IP55			1621 1504 02		ZR 300 6kV/50Hz IP23	
	0147 1960 96		ZR 355 5.5kV/50Hz IP23			1621 1504 02		ZR 300 6kV/50Hz IP55	
	0147 1961 55		ZR 355 5.5kV/50Hz IP55			1621 1504 02		ZR 300 6kV/60Hz IP23	
	0147 1960 96		ZR 355 6kV/50Hz IP23			1621 1504 02		ZR 300 6kV/60Hz IP55	
	0147 1961 55		ZR 355 6kV/50Hz IP55			1621 1504 02		ZR 300 6.6kV/50Hz IP23	
	0147 1960 96		ZR 355 6kV/60Hz IP23			1621 1504 02		ZR 300 6.6kV/50Hz IP55	
	0147 1960 96		ZR 355 6kV/60Hz IP55			1621 1504 02		ZR 300 6.6kV/60Hz IP23	
	0147 1960 96		ZR 355 6.6kV/50Hz IP23			1621 1504 02		ZR 300 6.6kV/60Hz IP55	
	0147 1961 55		ZR 355 6.6kV/50Hz IP55			1621 1504 02		ZR 315 2.3kV/60Hz IP23	
	0147 1960 96		ZR 355 6.6kV/60Hz IP23			1621 1504 02		ZR 315 2.3kV/60Hz IP55	
	0147 1960 96		ZR 355 6.6kV/60Hz IP55			1621 1504 02		ZR 315 3kV/50Hz IP23	
	0147 1960 96		ZR 400 2.3kV/60Hz IP23			1621 1504 02		ZR 315 3kV/50Hz IP55	
	0147 1961 55		ZR 400 2.3kV/60Hz IP55			1621 1504 02		ZR 315 3kV/60Hz IP23	
	0147 1960 96		ZR 400 3kV/50Hz IP23			1621 1504 02		ZR 315 3kV/60Hz IP55	
	0147 1961 55		ZR 400 3kV/50Hz IP55			1621 1504 02		ZR 315 3.3kV/50Hz IP23	
	0147 1960 96		ZR 400 3kV/60Hz IP23			1621 1504 02		ZR 315 3.3kV/50Hz IP55	
	0147 1961 55		ZR 400 3kV/60Hz IP55			1621 1504 02		ZR 315 3.3kV/60Hz IP23	
	0147 1960 96		ZR 400 3.3kV/50Hz IP23			1621 1504 02		ZR 315 3.3kV/60Hz IP55	
	0147 1961 55		ZR 400 3.3kV/50Hz IP55			1621 1504 02		ZR 315 4.16kV/60Hz IP23	
	0147 1960 96		ZR 400 3.3kV/60Hz IP23			1621 1504 02		ZR 315 4.16kV/60Hz IP55	

11



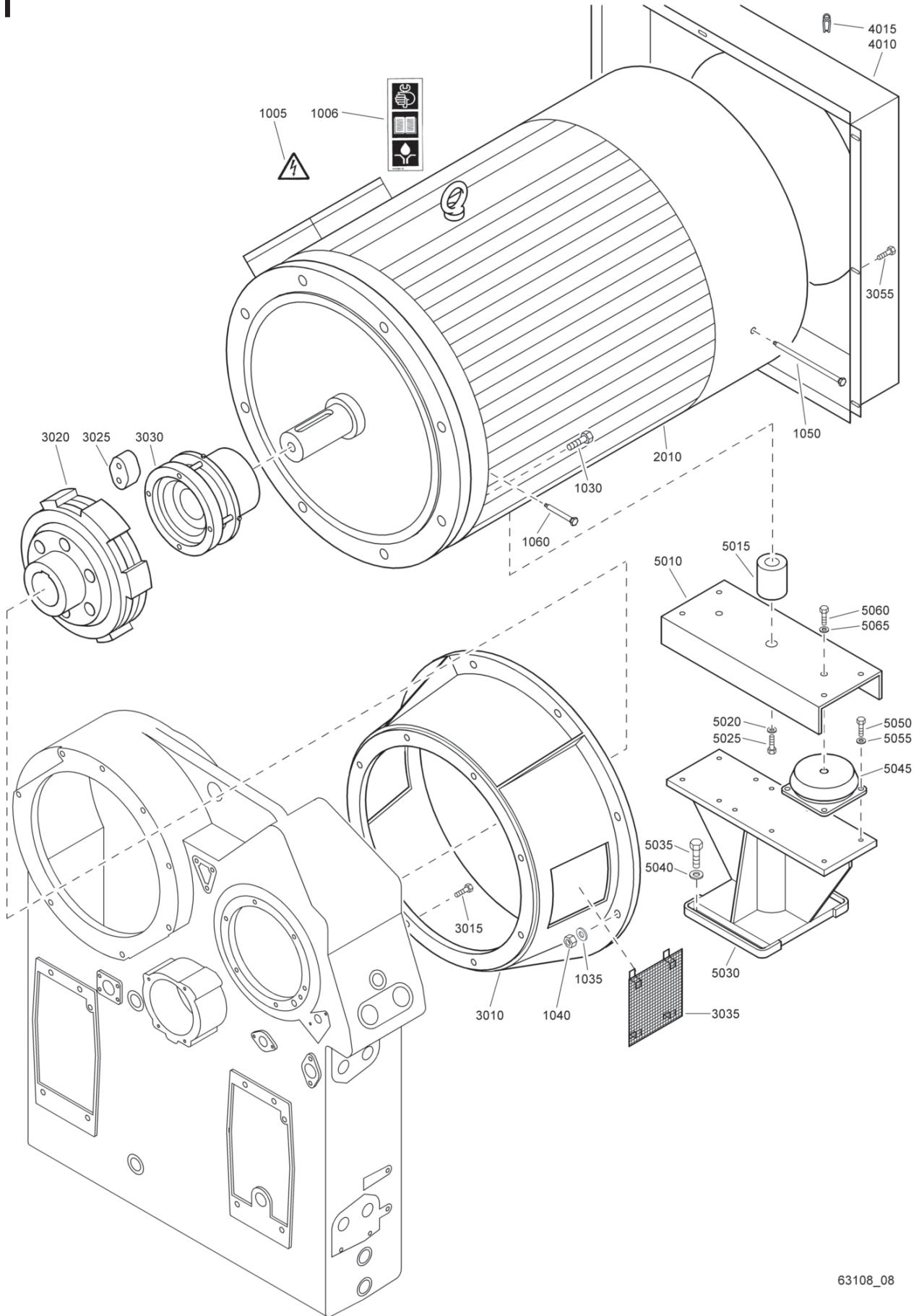
63108_08

Drive arrangement E - Arrangement E - Medium Voltage

11

Ref.	Part number	Qty	Name	Remarks	Ref.	Part number	Qty	Name	Remarks
1621	1504 02		ZR 315 5kV/50Hz IP23		1621	6025 00		ZR 425 5kV/50Hz IP55	
1621	1504 02		ZR 315 5kV/50Hz IP55		1621	1504 02		ZR 425 5.5kV/50Hz IP23	
1621	1504 02		ZR 315 5.5kV/50Hz IP23		1621	6025 00		ZR 425 5.5kV/50Hz IP55	
1621	1504 02		ZR 315 5.5kV/50Hz IP55		1621	1504 02		ZR 425 6kV/50Hz IP23	
1621	1504 02		ZR 315 6kV/50Hz IP23		1621	6025 00		ZR 425 6kV/50Hz IP55	
1621	1504 02		ZR 315 6kV/50Hz IP55		1621	1504 02		ZR 425 6.6kV/50Hz IP23	
1621	1504 02		ZR 315 6kV/60Hz IP23		1621	6025 00		ZR 425 6.6kV/50Hz IP55	
1621	1504 02		ZR 315 6kV/60Hz IP55		5035	0147 1962 36	4	Bolt	
1621	1504 02		ZR 315 6.6kV/50Hz IP23		5040	0302 1274 04	4	Washer	
1621	1504 02		ZR 315 6.6kV/50Hz IP55		5045		2	Antivib.pad	
1621	1504 02		ZR 315 6.6kV/60Hz IP23		1614	6366 02		ZR 300 2.3kV/60Hz IP23	
1621	1504 02		ZR 315 6.6kV/60Hz IP55		1612	5584 00		ZR 300 2.3kV/60Hz IP55	
1621	1504 02		ZR 355 2.3kV/60Hz IP23		1612	5584 00		ZR 300 3kV/50Hz IP23	
1621	1504 02		ZR 355 2.3kV/60Hz IP55		1612	5584 00		ZR 300 3kV/50Hz IP55	
1621	1504 02		ZR 355 3kV/50Hz IP23		1614	6366 02		ZR 300 3kV/60Hz IP23	
1621	6025 00		ZR 355 3kV/50Hz IP55		1612	5584 00		ZR 300 3kV/60Hz IP55	
1621	1504 02		ZR 355 3kV/60Hz IP23		1612	5584 00		ZR 300 3.3kV/50Hz IP23	
1621	1504 02		ZR 355 3kV/60Hz IP55		1612	5584 00		ZR 300 3.3kV/50Hz IP55	
1621	1504 02		ZR 355 3.3kV/50Hz IP23		1614	6366 02		ZR 300 3.3kV/60Hz IP23	
1621	6025 00		ZR 355 3.3kV/50Hz IP55		1612	5584 00		ZR 300 3.3kV/60Hz IP55	
1621	1504 02		ZR 355 4.16kV/60Hz IP23		1614	6366 02		ZR 300 4.16kV/60Hz IP23	
1621	1504 02		ZR 355 4.16kV/60Hz IP55		1612	5584 00		ZR 300 4.16kV/60Hz IP55	
1621	1504 02		ZR 355 5kV/50Hz IP23		1612	5584 00		ZR 300 5kV/50Hz IP23	
1621	6025 00		ZR 355 5kV/50Hz IP55		1612	5584 00		ZR 300 5.5kV/50Hz IP23	
1621	1504 02		ZR 355 5.5kV/50Hz IP23		1612	5584 00		ZR 300 5.5kV/50Hz IP55	
1621	6025 00		ZR 355 5.5kV/50Hz IP55		1612	5584 00		ZR 300 6kV/50Hz IP23	
1621	1504 02		ZR 355 6kV/50Hz IP23		1614	6366 02		ZR 300 6kV/50Hz IP55	
1621	6025 00		ZR 355 6kV/50Hz IP55		1612	5584 00		ZR 300 6kV/60Hz IP23	
1621	1504 02		ZR 355 6kV/60Hz IP23		1612	5584 00		ZR 300 6kV/60Hz IP55	
1621	1504 02		ZR 355 6kV/60Hz IP55		1612	5584 00		ZR 300 6.6kV/50Hz IP23	
1621	1504 02		ZR 355 6.6kV/50Hz IP23		1612	5584 00		ZR 300 6.6kV/50Hz IP55	
1621	6025 00		ZR 355 6.6kV/50Hz IP55		1614	6366 02		ZR 300 6.6kV/60Hz IP23	
1621	1504 02		ZR 355 6.6kV/60Hz IP23		1612	5584 00		ZR 300 6.6kV/60Hz IP55	
1621	1504 02		ZR 355 6.6kV/60Hz IP55		1614	6366 02		ZR 315 2.3kV/60Hz IP23	
1621	1504 02		ZR 400 2.3kV/60Hz IP23		1612	5584 00		ZR 315 2.3kV/60Hz IP55	
1621	6025 00		ZR 400 2.3kV/60Hz IP55		1612	5584 00		ZR 315 3kV/50Hz IP23	
1621	1504 02		ZR 400 3kV/50Hz IP23		1612	5584 00		ZR 315 3kV/50Hz IP55	
1621	6025 00		ZR 400 3kV/50Hz IP55		1614	6366 02		ZR 315 3kV/60Hz IP23	
1621	1504 02		ZR 400 3kV/60Hz IP23		1612	5584 00		ZR 315 3kV/60Hz IP55	
1621	6025 00		ZR 400 3kV/60Hz IP55		1612	5584 00		ZR 315 3.3kV/50Hz IP23	
1621	1504 02		ZR 400 3.3kV/50Hz IP23		1612	5584 00		ZR 315 3.3kV/50Hz IP55	
1621	6025 00		ZR 400 3.3kV/50Hz IP55		1614	6366 02		ZR 315 3.3kV/60Hz IP23	
1621	1504 02		ZR 400 3.3kV/60Hz IP23		1612	5584 00		ZR 315 3.3kV/60Hz IP55	
1621	6025 00		ZR 400 3.3kV/60Hz IP55		1614	6366 02		ZR 315 4.16kV/60Hz IP23	
1621	1504 02		ZR 400 4.16kV/60Hz IP23		1612	5584 00		ZR 315 4.16kV/60Hz IP55	
1621	6025 00		ZR 400 4.16kV/60Hz IP55		1612	5584 00		ZR 315 5kV/50Hz IP23	
1621	1504 02		ZR 400 5kV/50Hz IP23		1612	5584 00		ZR 315 5kV/50Hz IP55	
1621	6025 00		ZR 400 5kV/50Hz IP55		1612	5584 00		ZR 315 5.5kV/50Hz IP23	
1621	1504 02		ZR 400 5.5kV/50Hz IP23		1612	5584 00		ZR 315 5.5kV/50Hz IP55	
1621	6025 00		ZR 400 5.5kV/50Hz IP55		1612	5584 00		ZR 315 6kV/50Hz IP23	
1621	1504 02		ZR 400 6kV/50Hz IP23		1612	5584 00		ZR 315 6kV/50Hz IP55	
1621	6025 00		ZR 400 6kV/50Hz IP55		1614	6366 02		ZR 315 6kV/60Hz IP23	
1621	1504 02		ZR 400 6kV/60Hz IP23		1612	5584 00		ZR 315 6kV/60Hz IP55	
1621	6025 00		ZR 400 6kV/60Hz IP55		1612	5584 00		ZR 315 6.6kV/50Hz IP23	
1621	1504 02		ZR 400 6.6kV/50Hz IP23		1612	5584 00		ZR 315 6.6kV/50Hz IP55	
1621	6025 00		ZR 400 6.6kV/50Hz IP55		1614	6366 02		ZR 315 6.6kV/60Hz IP23	
1621	1504 02		ZR 400 6.6kV/60Hz IP23		1612	5584 00		ZR 315 6.6kV/60Hz IP55	
1621	6025 00		ZR 400 6.6kV/60Hz IP55		1612	5584 00		ZR 315 6.6kV/60Hz IP23	
1621	1504 02		ZR 400 6.6kV/60Hz IP55		1612	5584 00		ZR 315 6.6kV/60Hz IP55	
1621	1504 02		ZR 425 3kV/50Hz IP23		1612	5584 00		ZR 355 380V/50Hz	
1621	6025 00		ZR 425 3kV/50Hz IP55		1612	5584 00		ZR 355 380V/60Hz	
1621	1504 02		ZR 425 3.3kV/50Hz IP23		1612	5584 00		ZR 355 400V/50Hz	
1621	6025 00		ZR 425 3.3kV/50Hz IP55		1612	5584 00		ZR 355 440V/60Hz	
1621	1504 02		ZR 425 3.3kV/50Hz IP23		1614	6366 02		ZR 355 460V/60Hz	
1621	6025 00		ZR 425 3.3kV/50Hz IP55		1612	5584 00		ZR 355 500V/50Hz	
1621	1504 02		ZR 425 5kV/50Hz IP23		1614	6366 02		ZR 355 575V/60Hz	

11

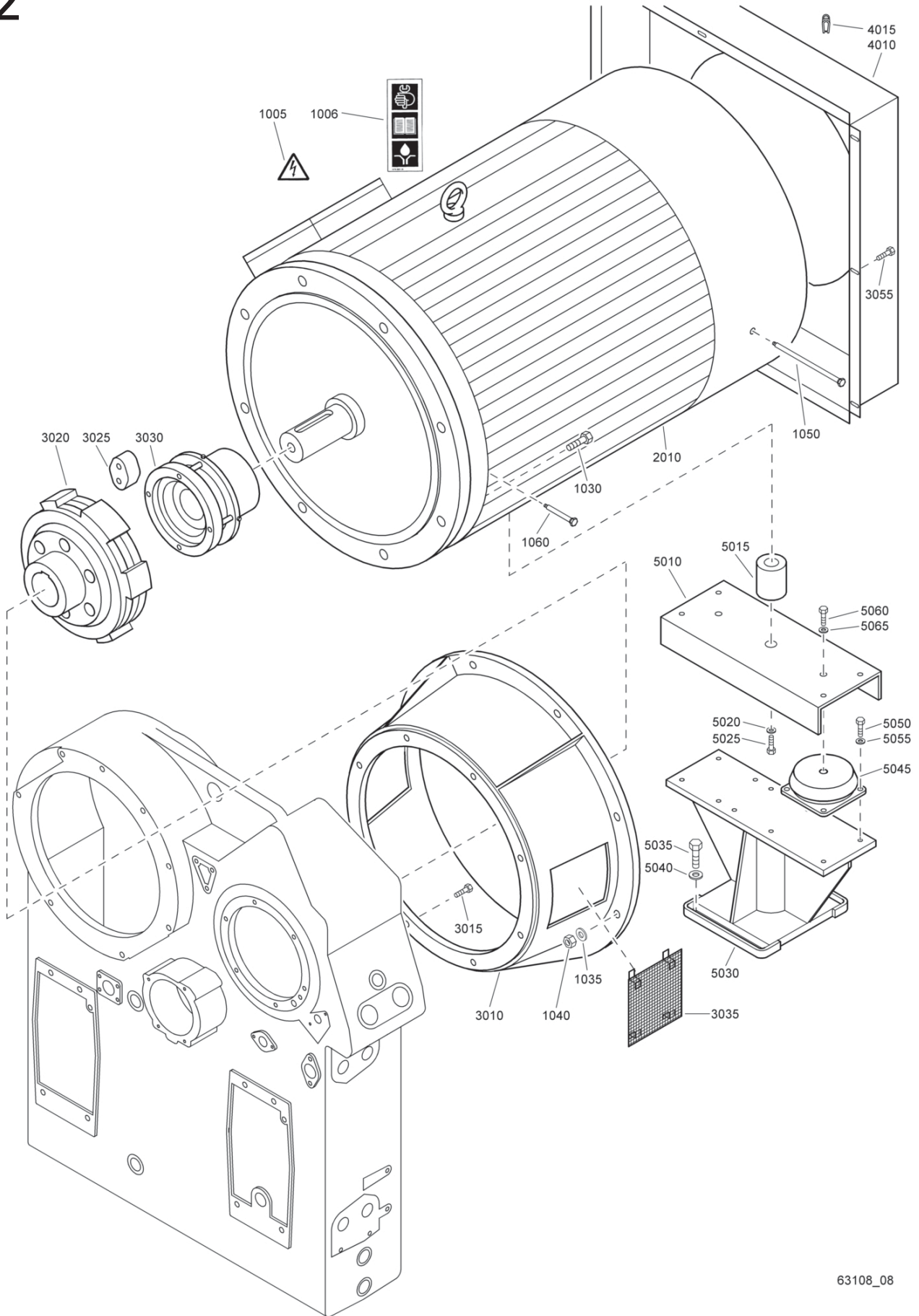


63108_08

Drive arrangement E - Arrangement E - Medium Voltage

Ref.	Part number	Qty	Name	Remarks
	1612 5584 00		ZR 355 2.3kV/60Hz IP23	
	1612 5584 00		ZR 355 2.3kV/60Hz IP55	
	1612 5584 00		ZR 355 3kV/50Hz IP23	
	1619 3941 00		ZR 355 3kV/50Hz IP55	
	1612 5584 00		ZR 355 3kV/60Hz IP23	
	1612 5584 00		ZR 355 3kV/60Hz IP55	
	1612 5584 00		ZR 355 3.3kV/50Hz IP23	
	1619 3941 00		ZR 355 3.3kV/50Hz IP55	
	1612 5584 00		ZR 355 3.3kV/60Hz IP23	
	1612 5584 00		ZR 355 3.3kV/60Hz IP55	
	1612 5584 00		ZR 355 4.16kV/60Hz IP23	
	1612 5584 00		ZR 355 4.16kV/60Hz IP55	
	1612 5584 00		ZR 355 5kV/50Hz IP23	
	1619 3941 00		ZR 355 5kV/50Hz IP55	
	1612 5584 00		ZR 355 5.5kV/50Hz IP23	
	1619 3941 00		ZR 355 5.5kV/50Hz IP55	
	1612 5584 00		ZR 355 6kV/50Hz IP23	
	1619 3941 00		ZR 355 6kV/50Hz IP55	
	1612 5584 00		ZR 355 6kV/60Hz IP23	
	1612 5584 00		ZR 355 6kV/60Hz IP55	
	1612 5584 00		ZR 355 6.6kV/50Hz IP23	
	1619 3941 00		ZR 355 6.6kV/50Hz IP55	
	1612 5584 00		ZR 355 6.6kV/60Hz IP23	
	1612 5584 00		ZR 355 6.6kV/60Hz IP55	
	1612 5584 00		ZR 400 2.3kV/60Hz IP23	
	1619 3941 00		ZR 400 2.3kV/60Hz IP55	
	1612 5584 00		ZR 400 3kV/50Hz IP23	
	1619 3941 00		ZR 400 3kV/50Hz IP55	
	1612 5584 00		ZR 400 3kV/60Hz IP23	
	1619 3941 00		ZR 400 3kV/60Hz IP55	
	1612 5584 00		ZR 400 3.3kV/50Hz IP23	
	1619 3941 00		ZR 400 3.3kV/50Hz IP55	
	1612 5584 00		ZR 400 3.3kV/60Hz IP23	
	1619 3941 00		ZR 400 3.3kV/60Hz IP55	
	1612 5584 00		ZR 400 4.16kV/60Hz IP23	
	1619 3941 00		ZR 400 4.16kV/60Hz IP55	
	1612 5584 00		ZR 400 5kV/50Hz IP23	
	1619 3941 00		ZR 400 5kV/50Hz IP55	
	1612 5584 00		ZR 400 5.5kV/50Hz IP23	
	1619 3941 00		ZR 400 5.5kV/50Hz IP55	
	1612 5584 00		ZR 400 6kV/50Hz IP23	
	1619 3941 00		ZR 400 6kV/50Hz IP55	
	1612 5584 00		ZR 400 6kV/60Hz IP23	
	1619 3941 00		ZR 400 6kV/60Hz IP55	
	1612 5584 00		ZR 400 6.6kV/50Hz IP23	
	1619 3941 00		ZR 400 6.6kV/50Hz IP55	
	1612 5584 00		ZR 400 6.6kV/60Hz IP23	
	1619 3941 00		ZR 400 6.6kV/60Hz IP55	
	1612 5584 00		ZR 425 3kV/50Hz IP23	
	1619 3941 00		ZR 425 3kV/50Hz IP55	
	1612 5584 00		ZR 425 3.3kV/50Hz IP23	
	1619 3941 00		ZR 425 3.3kV/50Hz IP55	
	1612 5584 00		ZR 425 5kV/50Hz IP23	
	1619 3941 00		ZR 425 5kV/50Hz IP55	
	1612 5584 00		ZR 425 5.5kV/50Hz IP23	
	1619 3941 00		ZR 425 5.5kV/50Hz IP55	
	1612 5584 00		ZR 425 6kV/50Hz IP23	
	1619 3941 00		ZR 425 6kV/50Hz IP55	
	1612 5584 00		ZR 425 6.6kV/50Hz IP23	
	1619 3941 00		ZR 425 6.6kV/50Hz IP55	
5050	0147 1962 30	AR	Bolt	
5055	0301 2358 00	AR	Washer	
5060	0147 1962 38	2	Bolt	
5065	0300 0274 13	2	Washer	
5070	0147 1419 03	4	Bolt	

12

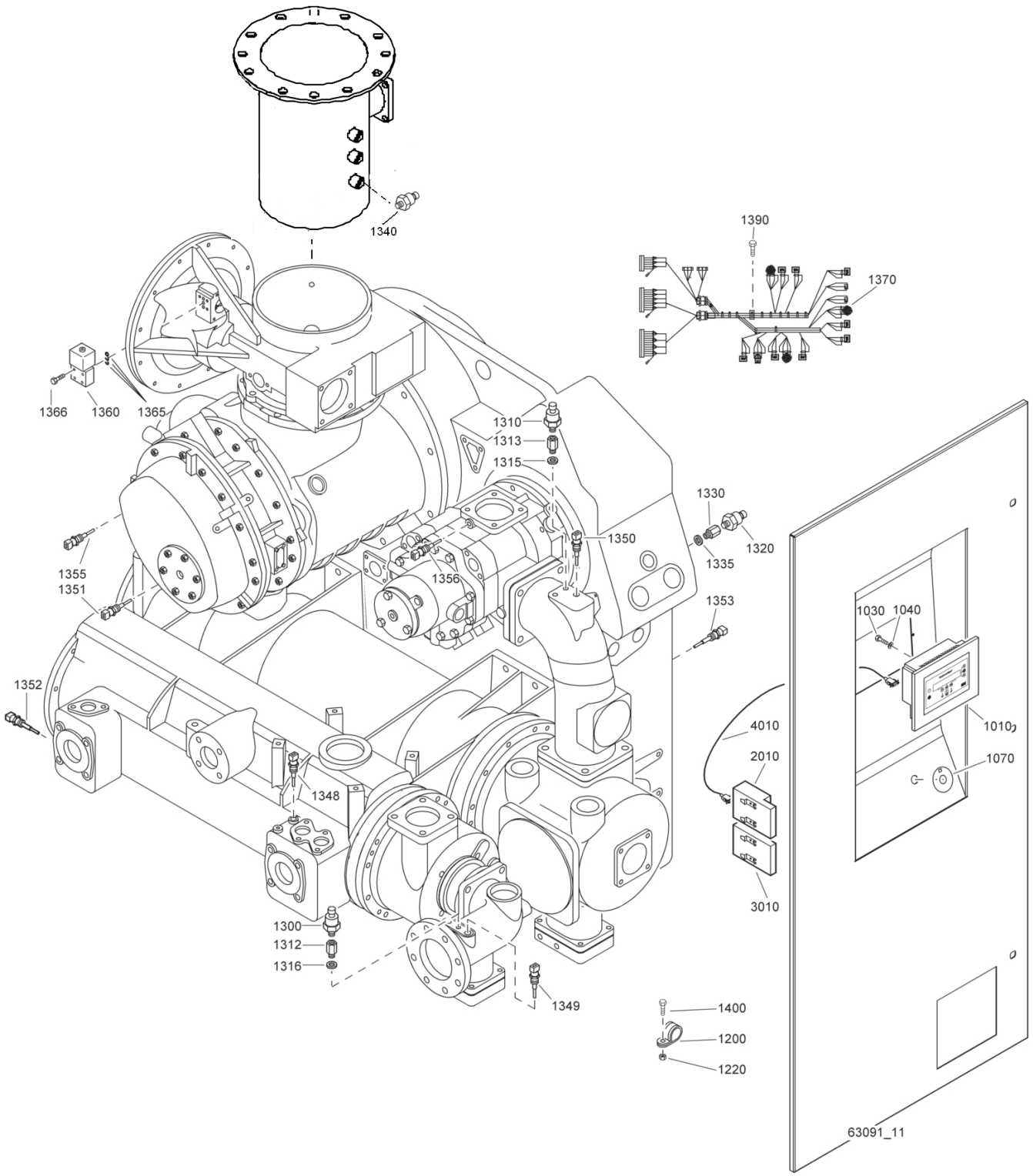


63108_08

Drive arrangement - Arrangement 1

Ref.	Part number	Qty	Name	Remarks	Ref.	Part number	Qty	Name	Remarks
1010	1621 6296 00	1	Frame		2020		1	Coupling half	
1015	0147 1482 03	16	Bolt			1621 1713 01		ZR 300 50Hz	
1020	1621 6211 00	1	Plate			1621 1713 01		ZR 300 60Hz	
1025	0147 1962 35	6	Bolt			1621 1713 01		ZR 315 50Hz	
1030	1619 3941 00	2	Rubber damper			1621 1713 01		ZR 315 60Hz	
1035	0147 1962 30	8	Bolt			1621 1713 01		ZR 355 50Hz	
1040	0301 2358 00	8	Washer			1621 1713 01		ZR 355 60Hz	
1045	0147 1962 38	2	Bolt			1621 1713 01		ZR 400 60Hz	
1047	0300 0274 13	2	Washer			1621 1720 02		ZR 400 50Hz	
2010		1	Coupling half			1621 1720 02		ZR 425 50Hz	
	1621 1718 01		ZR 300 50Hz					Fitting bolt	
	1621 1718 01		ZR 300 60Hz			1619 6469 00	6	ZR 300 50Hz	
	1621 1718 01		ZR 315 50Hz			1619 6469 00	6	ZR 300 60Hz	
	1621 1718 01		ZR 315 60Hz			1619 6469 00	6	ZR 315 50Hz	
	1621 1718 01		ZR 355 50Hz			1619 6469 00	6	ZR 315 60Hz	
	1621 1718 01		ZR 355 60Hz			1619 6469 00	6	ZR 355 50Hz	
	1621 1718 01		ZR 400 60Hz			1619 6469 00	6	ZR 355 60Hz	
	1621 1722 01		ZR 400 50Hz			1619 6469 00	6	ZR 400 60Hz	
	1622 1722 01		ZR 425 50Hz			1619 6469 00	8	ZR 400 50Hz	
			Fitting bolt			1619 6469 00	8	ZR 425 50Hz	
	1619 6469 00	6	ZR 300 50Hz					Screw	
	1619 6469 00	6	ZR 300 60Hz			1619 6470 00	6	ZR 300 50Hz	
	1619 6469 00	6	ZR 315 50Hz			1619 6470 00	6	ZR 300 60Hz	
	1619 6469 00	6	ZR 315 60Hz			1619 6470 00	6	ZR 315 50Hz	
	1619 6469 00	6	ZR 355 50Hz			1619 6470 00	6	ZR 315 60Hz	
	1619 6469 00	6	ZR 355 60Hz			1619 6470 00	6	ZR 355 50Hz	
	1619 6469 00	6	ZR 400 60Hz			1619 6470 00	6	ZR 355 60Hz	
	1619 6469 00	8	ZR 400 50Hz			1619 6470 00	6	ZR 400 60Hz	
	1619 6469 00	8	ZR 425 50Hz			1619 6470 00	8	ZR 400 50Hz	
			Screw			1619 6470 00	8	ZR 425 50Hz	
	1619 6468 00	6	ZR 300 50Hz				1	Coupling half	
	1619 6468 00	6	ZR 300 60Hz			1621 1717 01		ZR 300 50Hz	
	1619 6468 00	6	ZR 315 50Hz			1621 1717 01		ZR 300 60Hz	
	1619 6468 00	6	ZR 315 60Hz			1621 1717 01		ZR 315 50Hz	
	1619 6468 00	6	ZR 355 50Hz			1621 1717 01		ZR 315 60Hz	
	1619 6468 00	6	ZR 355 60Hz			1621 1717 01		ZR 355 50Hz	
	1619 6468 00	6	ZR 400 60Hz			1621 1717 01		ZR 355 60Hz	
	1619 6468 00	8	ZR 400 50Hz			1621 1717 01		ZR 400 60Hz	
	1619 6468 00	8	ZR 425 50Hz			1621 1721 02		ZR 400 50Hz	
			Coupling half			1621 1721 02		ZR 425 50Hz	
	1621 1723 01	1	ZR 400 50Hz					Coupling guard	
	1621 1723 01	1	ZR 425 50Hz		2025	1621 6384 00	2	Coupling guard	
2015		1	Set rubbers		2027	1621 6385 00	2	Coupling guard	
	1619 6467 06		ZR 300 50Hz		2030	1619 2766 00	8	Bolt	
	1619 6467 06		ZR 300 60Hz		2035	0266 2108 00	4	Nut	
	1619 6467 06		ZR 315 50Hz		2037	0147 1246 03	4	Bolt	
	1619 6467 06		ZR 315 60Hz		2040	0147 1478 03	8	Bolt	
	1619 6467 06		ZR 355 50Hz		2050	0301 2321 00	8	Washer	
	1619 6467 06		ZR 355 60Hz		2060	1619 5898 01	12	Bolt	
	1619 6467 06		ZR 400 60Hz						
	1619 6467 08		ZR 400 50Hz						
	1619 6467 08		ZR 425 50Hz						

13

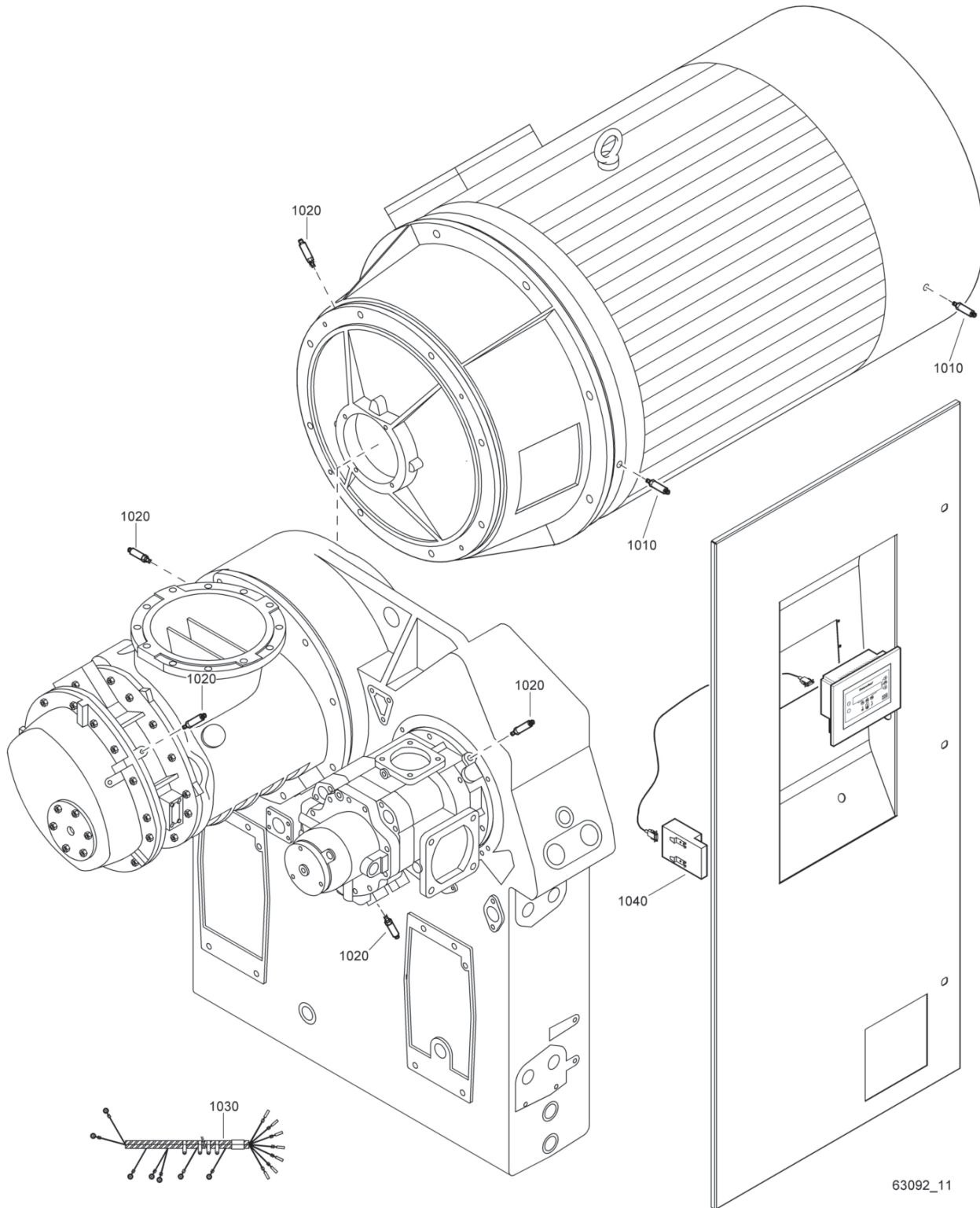


Control module - With aftercooler

Ref.	Part number	Qty	Name	Remarks	Ref.	Part number	Qty	Name	Remarks
1010		1	Regulator		1348	1089 0574 70	1	Temp. sensor	
	1900 0710 32		European display		1349	1089 0574 70	1	Temp. sensor	
	1900 0712 92		Asian display		1350	1089 0574 70	1	Temp. sensor	
1030	0160 6038 00	4	Screw		1351	1089 0574 70	1	Temp. sensor	
1040	0301 2315 00	4	Washer		1352	1089 0574 70	1	Temp. sensor	
1070	1621 0478 00	1	Label		1353	1089 0574 70	1	Temp. sensor	
1200	0348 0102 09	2	Cable tie		1355	1089 0574 70	1	Temp. sensor	
1220	0266 2108 00	4	Nut		1356	1089 0574 70	1	Temp. sensor	
1300	1089 0575 65	1	Press.transducer		1360	1089 0590 21	1	Solenoid valve	
1310	1089 0575 74	1	Press.transducer		1365	0663 2108 63	3	O-ring	
1312	1621 0148 00	1	Nipple		1366	0211 1251 03	4	Bolt	
					1370	1092 1602 45	1	Wire harness	
					1390	1619 2766 00	10	Bolt	
					1400	0147 1322 03	2	Bolt	
					1420	0160 6027 00	1	Screw	
1313	1621 1247 80	1	Nipple		2010		1	Regulator AIE4	
	1621 1247 00	• 1	Nipple			1900 0710 82		PT1000	
	1621 1248 00	• 1	Nipple		3010		1	Regulator AIE3	
	1621 1249 00	• 1	Bushing			1900 0710 62		PT100	
1315	0661 1000 25	1	Seal washer				1	Cubicle option	
1316	0661 1000 25	1	Seal washer			1900 3151 02		PT100	
1320	1089 0575 26	1	Press.transducer		4010		AR	Cable	
1330	1621 1247 80	1	Nipple			1622 0661 01		L=600	
	1621 1247 00	• 1	Nipple			1622 0661 02		L=150	
	1621 1248 00	• 1	Nipple			1622 0661 03		L=1100	
	1621 1249 00	• 1	Bushing			1622 0661 04		L=1400	
1335	0661 1000 25	1	Seal washer			1621 0832 00		L=1550	
1340	1089 9625 35	1	Press.transducer						

14

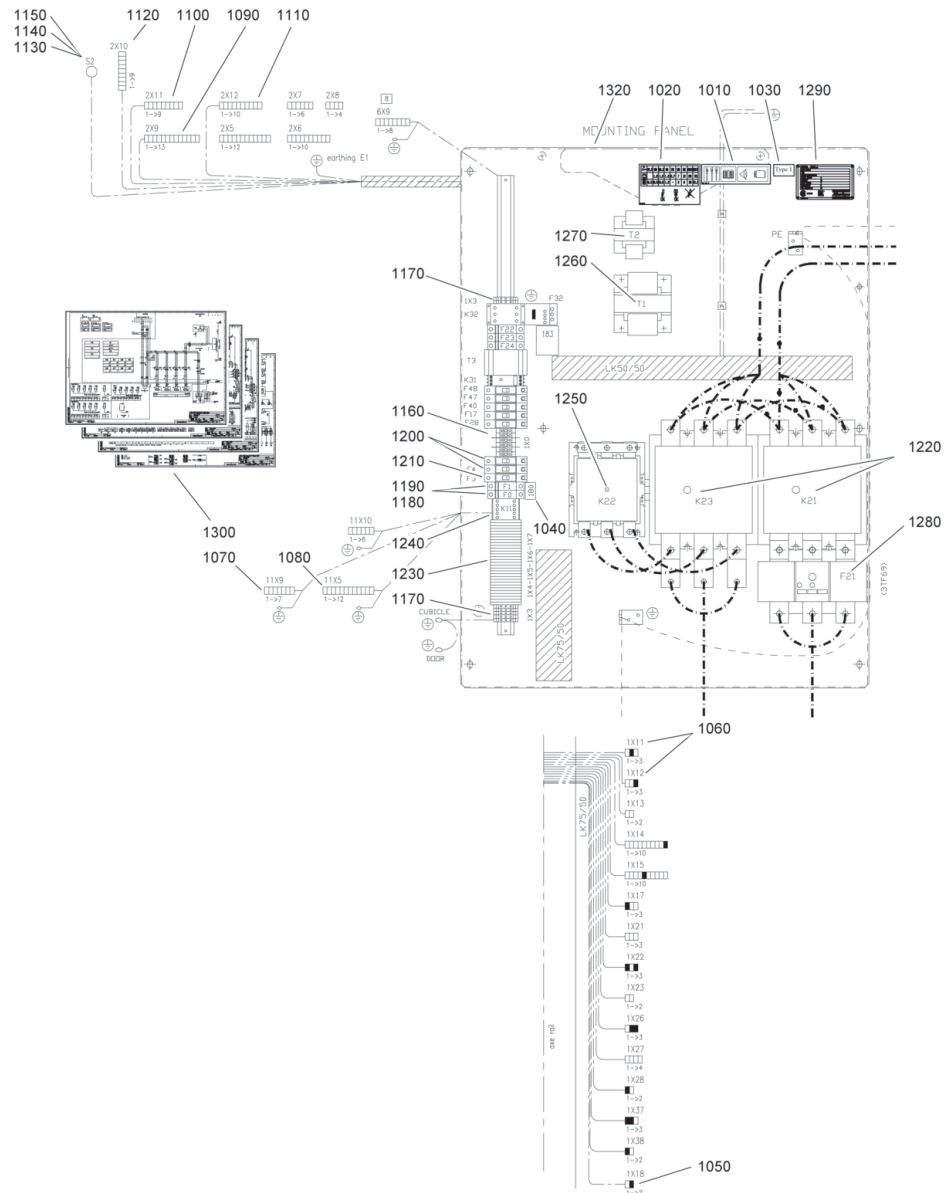
Control module - SPM monitoring



63092_11

Ref.	Part number	Qty	Name	Remarks	Ref.	Part number	Qty	Name	Remarks
1010	1089 0457 03	2	Transducer		1030	1621 5481 00	1	Wiring	
1020	1089 0457 01	5	Transducer		1040	1089 0457 66	1	Alarm unit	

Cubicle - With starter - ZR 425 460V/60Hz CSA/UL

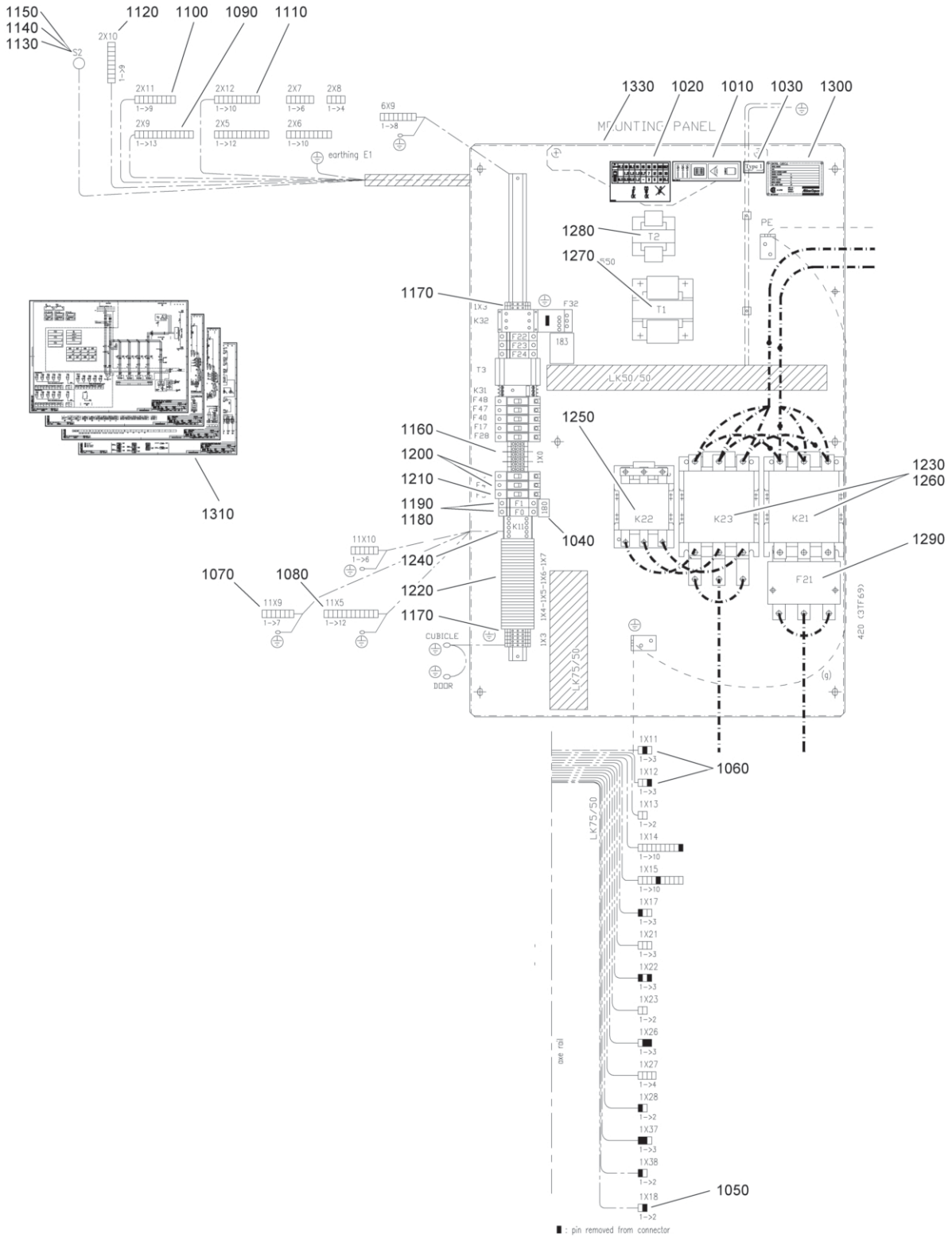


63100_12

63100_12

Ref.	Part number	Qty	Name	Remarks	Ref.	Part number	Qty	Name	Remarks
	1900 3148 20	1	Cubicle	ZR 425 460V/60Hz CSA/UL	1160	1089 0506 03	• 6	Terminal	
1010	1079 9901 68	• 1	Label		1170	1089 0506 27	• 7	Terminal	
1020	1079 9906 09	• 1	Label		1180	1089 0612 01	• 2	Fuse holder	
1030	1079 9911 01	• 1	Label type 1		1190	1089 9168 27	• 2	Fuse	
1040	1079 9922 74	• 1	Fuse label		1200	1089 9203 36	• 2	Circuit breaker	
1050	1088 0031 02	• 1	Connector		1210	1089 9203 38	• 1	Circuit breaker	
1060	1088 0031 03	• 2	Connector		1220	1089 9221 39	• 2	Contactors	
1070	1088 0031 07	• 1	Connector		1230	1089 9398 11	• 30	Terminal	
1080	1088 0031 12	• 1	Connector		1240	1089 9415 17	• 1	Contactors	
1090	1088 0031 13	• 1	Connector		1250	1089 9415 83	• 1	Contactors	
1100	1088 0031 29	• 1	Connector		1260	1089 9436 09	• 1	Trafo	
1110	1088 0031 30	• 1	Connector		1270	1089 9436 11	• 1	Trafo	
1120	1088 0031 49	• 1	Connector		1280	1089 9446 24	• 1	El. Overload relay	
1130	1089 0362 50	• 1	Contact block		1290	1614 8949 00	• 1	Data plate	
1140	1089 0362 51	• 1	Emergency stop button		1300	9823 1897 31	• 1	Label	
1150	1089 0362 58	• 1	Contact block		1320	1621 4049 00	• 1	Mounting Plate	

16

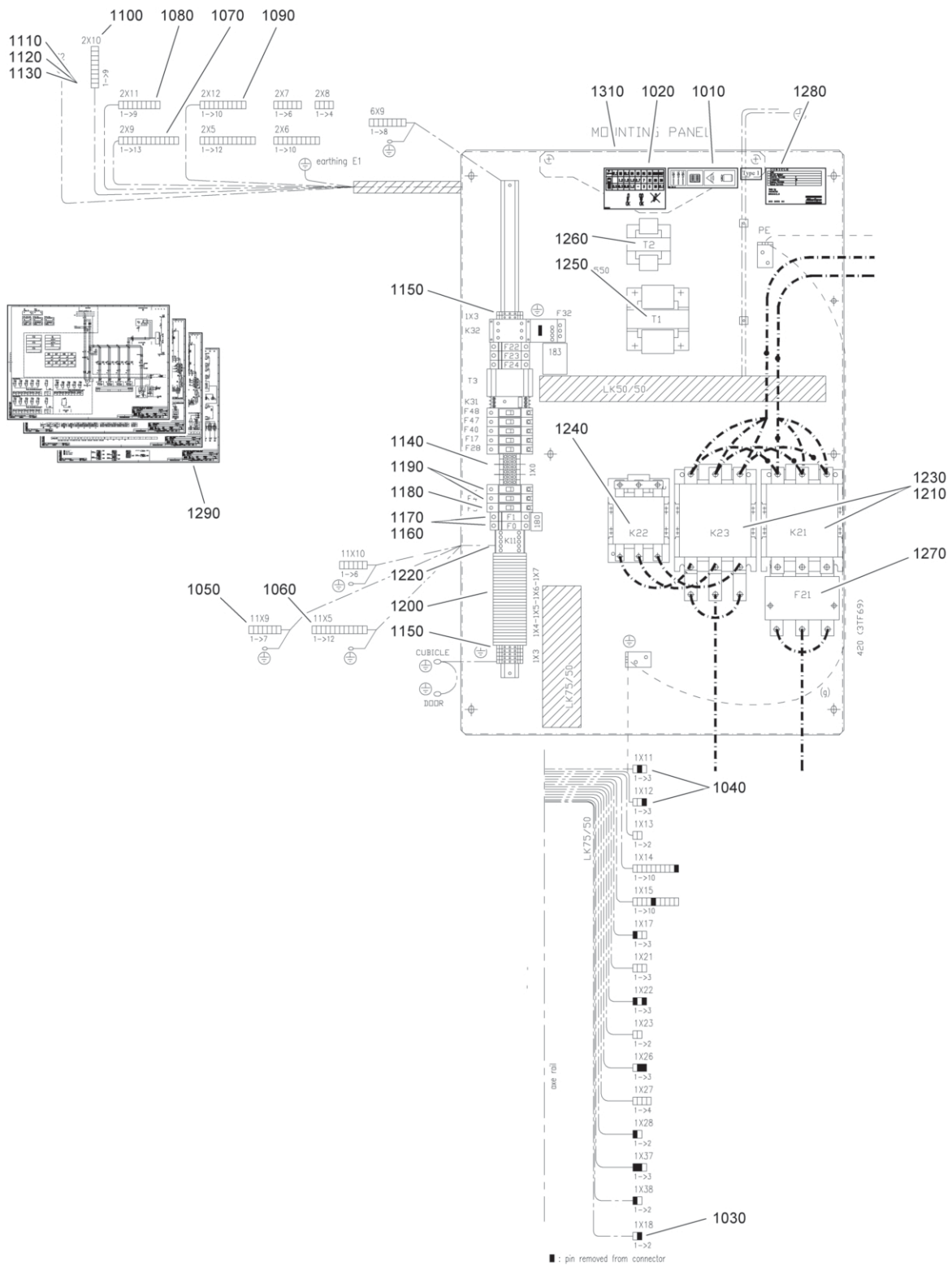


63099_12

Cubicle - With starter - CSA/UL

Ref.	Part number	Qty	Name	Remarks	Ref.	Part number	Qty	Name	Remarks
		1	Cubicle		1210	1089 9203 38 •	1	Circuit breaker	
	1900 3148 18		ZR 300 460V/60Hz		1220	1089 9398 11 •	30	Terminal	
	1900 3148 17		ZR 300 575V/60Hz		1230	1089 9415 09 •	2	Contact block	
	1900 3148 18		ZR 315 460V/60Hz		1240	1089 9415 17 •	1	Contact	
	1900 3148 17		ZR 315 575V/60Hz		1250	•	1	Contact	
	1900 3148 18		ZR 355 460V/60Hz			1089 9415 82		ZR 300 460V/60Hz	
	1900 3148 17		ZR 355 575V/60Hz			1089 9415 63		ZR 300 575V/60Hz	
	1900 3148 18		ZR 400 460V/60Hz			1089 9415 82		ZR 315 460V/60Hz	
	1900 3148 17		ZR 400 575V/60Hz			1089 9415 63		ZR 315 575V/60Hz	
	1900 3148 18		ZR 425 575V/60Hz			1089 9415 82		ZR 355 460V/60Hz	
1010	1079 9901 68 •	1	Label			1089 9415 63		ZR 355 575V/60Hz	
1020	1079 9906 09 •	1	Label			1089 9415 82		ZR 400 460V/60Hz	
1030	1079 9911 01 •	1	Label type 1			1089 9415 63		ZR 400 575V/60Hz	
1040	1079 9922 74 •	1	Fuse label			1089 9415 82		ZR 425 575V/60Hz	
1050	1088 0031 02 •	1	Connector		1260	•	2	Contact	
1060	1088 0031 03 •	2	Connector			1089 9415 77		ZR 300 460V/60Hz	
1070	1088 0031 07 •	1	Connector			1089 9415 76		ZR 300 575V/60Hz	
1080	1088 0031 12 •	1	Connector			1089 9415 77		ZR 315 460V/60Hz	
1090	1088 0031 13 •	1	Connector			1089 9415 76		ZR 315 575V/60Hz	
1100	1088 0031 29 •	1	Connector			1089 9415 77		ZR 355 460V/60Hz	
1110	1088 0031 30 •	1	Connector			1089 9415 76		ZR 355 575V/60Hz	
1120	1088 0031 49 •	1	Connector			1089 9415 77		ZR 400 460V/60Hz	
1130	1089 0362 50 •	1	Contact block			1089 9415 76		ZR 400 575V/60Hz	
1140	1089 0362 51 •	1	Emergency stop button			1089 9415 77		ZR 425 575V/60Hz	
1150	1089 0362 58 •	1	Contact block		1270	1089 9436 08 •	1	Trafo	
1160	1089 0506 06 •	6	Terminal		1280	1089 9436 11 •	1	Trafo	
1170	1089 0506 27 •	7	Terminal		1290	1089 9446 23 •	1	El. Overload relay	
1180	1089 0612 01 •	2	Fuse holder		1300	1614 8949 00 •	1	Data plate	
1190	1089 9168 27 •	2	Fuse		1310	9823 1897 31 •	1	Label	
1200	1089 9203 36 •	2	Circuit breaker		1330	1621 4047 00 •	1	Mounting Plate	

17

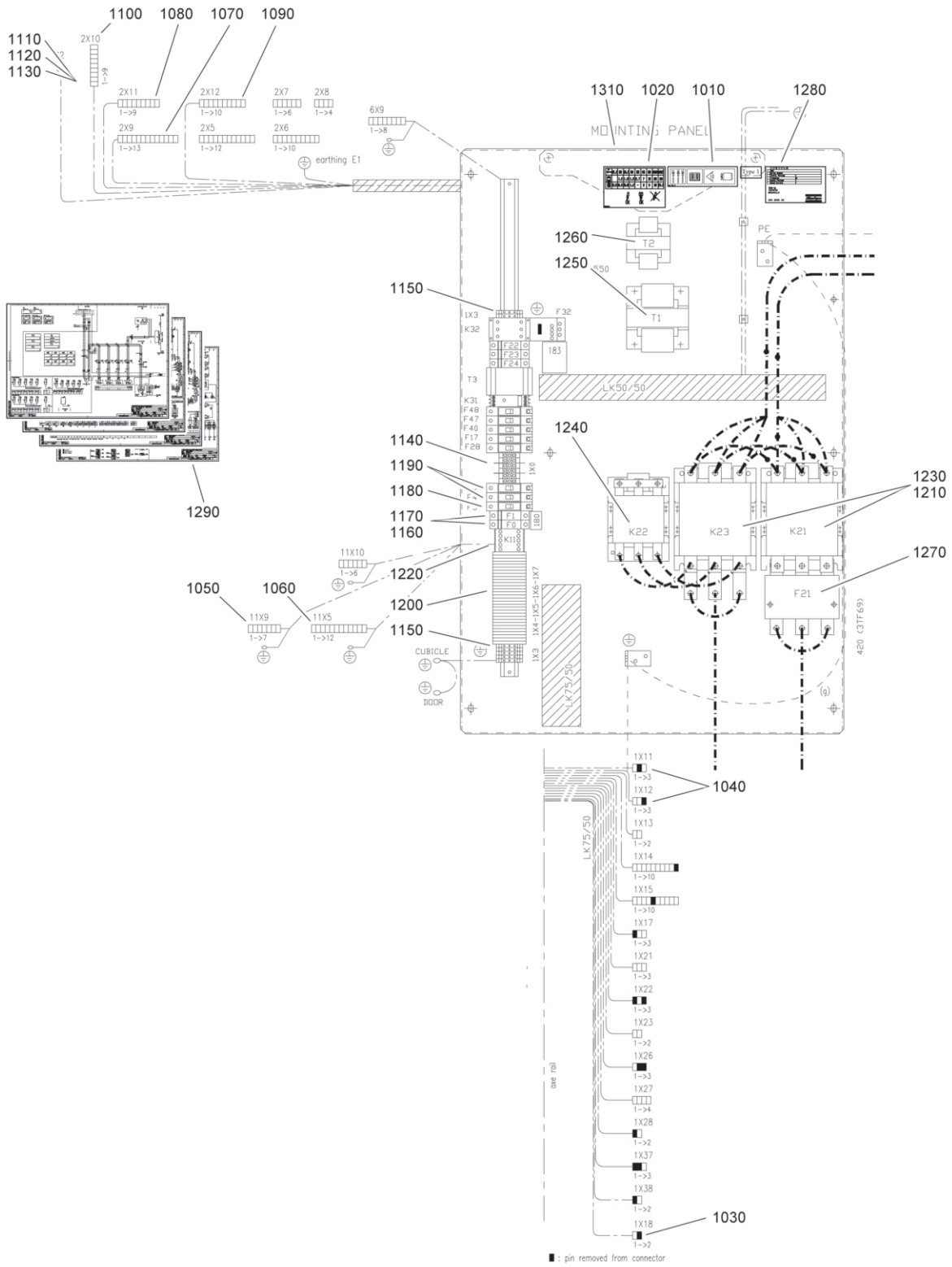


63098_12

Cubicle - With starter - IEC

Ref.	Part number	Qty	Name	Remarks	Ref.	Part number	Qty	Name	Remarks
		1	Cubicle						
	1900 3147 14		ZR 300 380V/50Hz			1089 9415 74		ZR 355 500V/50Hz	
	1900 3147 14		ZR 300 380V/60Hz			1091 6371 83		ZR 400 380V/50Hz	
	1900 3147 14		ZR 300 400V/50Hz			1089 9415 75		ZR 400 380V/60Hz	
	1900 3147 14		ZR 300 440V/60Hz			1089 9415 75		ZR 400 400V/50Hz	
	1900 3147 12		ZR 300 500V/50Hz			1089 9415 74		ZR 400 440V/60Hz	
	1900 3147 14		ZR 315 380V/50Hz			1089 9415 74		ZR 400 500V/50Hz	
	1900 3147 14		ZR 315 380V/60Hz			1091 6371 83		ZR 425 380V/50Hz	
	1900 3147 14		ZR 315 400V/50Hz			1089 9415 75		ZR 425 380V/60Hz	
	1900 3147 14		ZR 315 440V/60Hz			1089 9415 75		ZR 425 400V/50Hz	
	1900 3147 12		ZR 315 500V/50Hz			1089 9415 75		ZR 425 440V/60Hz	
	1900 3147 14		ZR 355 380V/50Hz		1240	1089 9415 74		ZR 425 500V/50Hz	
	1900 3147 54		ZR 355 380V/60Hz				1	Contactor	
	1900 3147 14		ZR 355 400V/50Hz			1091 6371 78		ZR 300 380V/50Hz	
	1900 3147 14		ZR 355 440V/60Hz			1089 9415 78		ZR 300 380V/60Hz	
	1900 3147 14		ZR 355 500V/50Hz			1089 9415 78		ZR 300 400V/50Hz	
	1900 3147 16		ZR 400 380V/50Hz			1089 9415 78		ZR 300 440V/60Hz	
	1900 3147 57		ZR 400 380V/60Hz			1089 9415 58		ZR 300 500V/50Hz	
	1900 3147 16		ZR 400 400V/50Hz			1091 6371 78		ZR 315 380V/50Hz	
	1900 3147 54		ZR 400 440V/60Hz			1089 9415 78		ZR 315 380V/60Hz	
	1900 3147 14		ZR 400 500V/50Hz			1089 9415 78		ZR 315 400V/50Hz	
	1900 3147 16		ZR 425 380V/50Hz			1089 9415 78		ZR 315 440V/60Hz	
	1900 3147 57		ZR 425 380V/60Hz			1089 9415 58		ZR 315 500V/50Hz	
	1900 3147 16		ZR 425 400V/50Hz			1091 6371 78		ZR 355 380V/60Hz	
	1900 3147 54		ZR 425 440V/60Hz			1089 9415 78		ZR 355 400V/50Hz	
	1900 3147 14		ZR 425 500V/50Hz			1089 9415 78		ZR 355 440V/60Hz	
1010	1079 9901 68	• 1	Label			1089 9415 78		ZR 355 500V/50Hz	
1020	1079 9906 09	• 1	Label			1091 6371 80		ZR 400 380V/50Hz	
1030	1091 6362 02	• 1	Connector			1089 9415 80		ZR 400 380V/60Hz	
1040	1091 6362 03	• 2	Connector			1089 9415 79		ZR 400 400V/50Hz	
						1089 9415 78		ZR 400 440V/60Hz	
1060	1091 6362 10	• 1	Connector			1089 9415 78		ZR 400 500V/50Hz	
1070	1091 6362 13	• 1	Connector			1091 6371 80		ZR 425 380V/50Hz	
1080	1091 6362 29	• 1	Connector			1089 9415 80		ZR 425 380V/60Hz	
1090	1091 6362 30	• 1	Connector			1089 9415 79		ZR 425 400V/50Hz	
1100	1091 6362 49	• 1	Connector			1089 9415 80		ZR 425 440V/60Hz	
1110	1091 6363 50	• 2	Contact block			1089 9415 78		ZR 425 500V/50Hz	
1120	1091 6363 51	• 1	Emergency stop button		1250		• 1	Trafo	
						1091 6376 52		ZR 300 380V/50Hz	
1140	1091 6364 06	• 6	Terminal			1089 9436 08		ZR 300 380V/60Hz	
1150	1091 6364 27	• 8	Terminal			1089 9436 08		ZR 300 400V/50Hz	
1160	1091 6365 01	• 4	Fuse holder			1089 9436 08		ZR 300 440V/60Hz	
1170	1091 6365 25	• 2	Fuse			1089 9436 07		ZR 300 500V/50Hz	
1180	1091 6369 11	• 1	Circuit breaker			1091 6376 52		ZR 315 380V/50Hz	
1190	1091 6369 04	• 2	Circuit breaker			1089 9436 08		ZR 315 380V/60Hz	
1200	1091 6364 62	• 59	Terminal			1089 9436 08		ZR 315 400V/50Hz	
1210	1091 6371 73	• 2	Contact block			1089 9436 08		ZR 315 440V/60Hz	
1220	1091 6378 28	• 1	Contactor			1089 9436 07		ZR 315 500V/50Hz	
1230		• 2	Contactor			1091 6376 52		ZR 355 380V/50Hz	
	1091 6371 82		ZR 300 380V/50Hz			1089 9436 08		ZR 355 380V/60Hz	
	1089 9415 74		ZR 300 380V/60Hz			1089 9436 08		ZR 355 400V/50Hz	
	1089 9415 74		ZR 300 400V/50Hz			1089 9436 08		ZR 355 440V/60Hz	
	1089 9415 74		ZR 300 440V/60Hz			1089 9436 08		ZR 355 500V/50Hz	
	1089 9415 79		ZR 300 500V/50Hz			1091 6376 52		ZR 400 380V/50Hz	
	1091 6371 82		ZR 315 380V/50Hz			1089 9436 08		ZR 400 380V/60Hz	
	1089 9415 74		ZR 315 380V/60Hz			1089 9436 08		ZR 400 400V/50Hz	
	1089 9415 74		ZR 315 400V/50Hz			1089 9436 08		ZR 400 440V/60Hz	
	1089 9415 74		ZR 315 440V/60Hz			1089 9436 08		ZR 400 500V/50Hz	
	1089 9415 79		ZR 315 500V/50Hz			1091 6376 52		ZR 425 380V/50Hz	
	1091 6371 82		ZR 355 380V/50Hz			1089 9436 08		ZR 425 380V/60Hz	
	1089 9415 74		ZR 355 380V/60Hz			1089 9436 08		ZR 425 400V/50Hz	
	1089 9415 74		ZR 355 400V/50Hz			1089 9436 08		ZR 425 440V/60Hz	
	1089 9415 74		ZR 355 440V/60Hz			1089 9436 08		ZR 425 500V/50Hz	

17



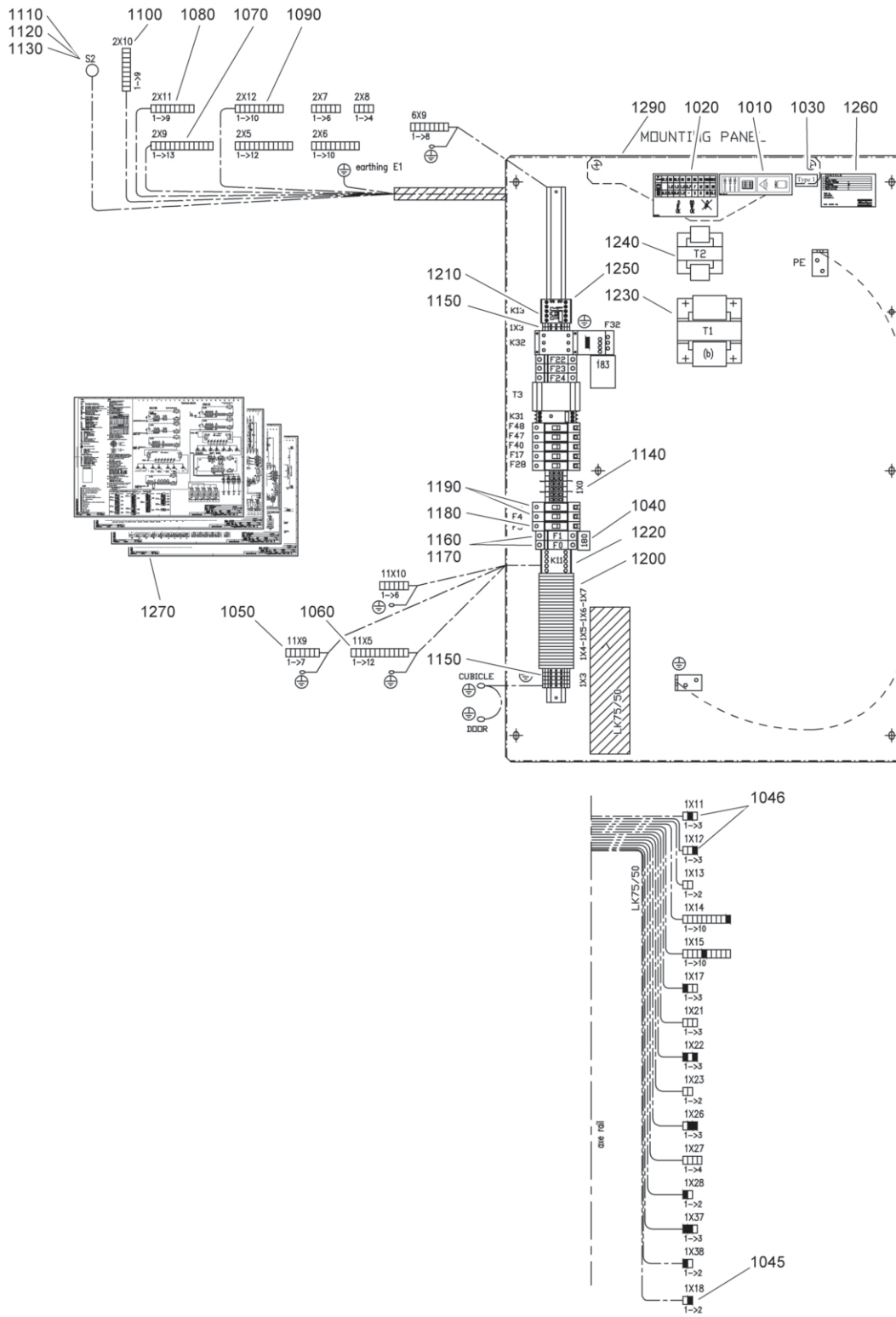
63098_12

Ref.	Part number	Qty	Name	Remarks
------	-------------	-----	------	---------

Cubicle - With starter - IEC

1260	1091 6367 97	• 1	Trafo	
1270		• 1	El. Overload relay	
	1091 6376 24		ZR 300 380V/50Hz	
	1089 9446 23		ZR 300 380V/60Hz	
	1089 9446 23		ZR 300 400V/50Hz	
	1089 9446 23		ZR 300 440V/60Hz	
	1089 9446 23		ZR 300 500V/50Hz	
	1091 6376 24		ZR 315 380V/50Hz	
	1089 9446 23		ZR 315 380V/60Hz	
	1089 9446 23		ZR 315 400V/50Hz	
	1089 9446 23		ZR 315 440V/60Hz	
	1089 9446 23		ZR 315 500V/50Hz	
	1091 6376 24		ZR 355 380V/50Hz	
	1089 9446 23		ZR 355 380V/60Hz	
	1089 9446 23		ZR 355 400V/50Hz	
	1089 9446 23		ZR 355 440V/60Hz	
	1089 9446 23		ZR 355 500V/50Hz	
	1091 6376 24		ZR 400 380V/50Hz	
	1089 9446 24		ZR 400 380V/60Hz	
	1089 9446 23		ZR 400 400V/50Hz	
	1089 9446 23		ZR 400 440V/60Hz	
	1089 9446 23		ZR 400 500V/50Hz	
	1091 6376 24		ZR 425 380V/50Hz	
	1089 9446 24		ZR 425 380V/60Hz	
	1089 9446 23		ZR 425 400V/50Hz	
	1089 9446 24		ZR 425 440V/60Hz	
	1089 9446 23		ZR 425 500V/50Hz	
1280	1613 6639 00	• 1	Data plate adhesive	
1290	9823 1897 31	• 1	Label	
1310	1621 4047 00	• 1	Mounting plate	
1320	1079 9911 77	• 1	Label	
1330	1091 6365 23	• 2	Fuse	
1340	1091 6369 10	• 1	Circuit breaker	

18

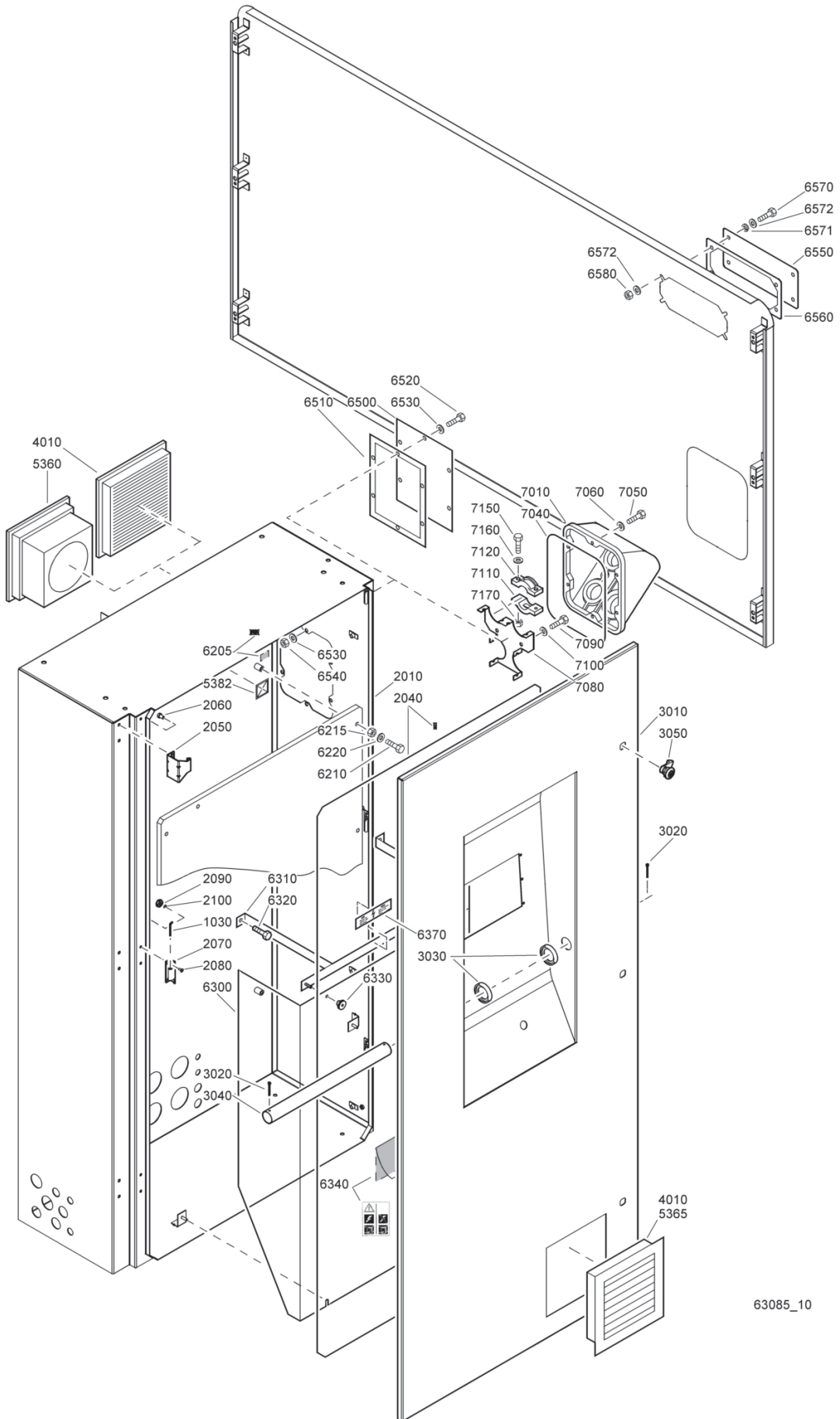


63079_12

Cubicle - Without starter

Ref.	Part number	Qty	Name	Remarks	Ref.	Part number	Qty	Name	Remarks
		1	Cubicle		1080	1088 0031 29	• 1	Connector	
	1900 3147 01		50Hz IEC Without motor - Japan		1090	1088 0031 30	• 1	Connector	
	1900 3147 01		50Hz IEC Without motor		1100	1088 0031 49	• 1	Connector	
	1900 3148 01		60Hz CSA/UL Without motor		1110	1089 0362 50	• 1	Contact block	
	1900 3147 01		60Hz IEC Without motor - Japan		1120	1089 0362 51	• 1	Emergency stop button	
	1900 3148 01		2.3kV/60Hz CSA/UL		1130	1089 0362 58	• 1	Contact block	
	1900 3147 01		3kV/50Hz IEC		1140	1089 0506 06	• 6	Terminal	
	1900 3148 01		3kV/60Hz CSA/UL		1150	1089 0506 27	• 7	Terminal	
	1900 3147 01		3.3kV/50Hz IEC		1160	1089 0612 01	• 2	Fuse holder	
	1900 3148 01		3.3kV/60Hz CSA/UL		1170		• 2	Fuse	
	1900 3148 01		4.16kV/60Hz CSA/UL			1089 0612 25		IEC	
	1900 3147 01		5kV/50Hz IEC			1089 9168 27		CSA/UL	
	1900 3147 01		5.5kV/50Hz IEC		1180		• 1	Circuit breaker	
	1900 3147 01		6kV/50Hz IEC			1089 9203 35		IEC	
	1900 3148 01		6kV/60Hz CSA/UL			1089 9203 38		CSA/UL	
	1900 3147 01		6.6kV/50Hz IEC		1190	1089 9203 36	• 2	Circuit breaker	
	1900 3148 01		6.6kV/60Hz CSA/UL		1200	1089 9398 11	• 30	Terminal	
1010	1079 9901 68	• 1	Label		1210	1089 9415 02	• 1	Contact block	
1020	1079 9906 09	• 1	Label		1220	1089 9415 17	• 1	Contact block	
1030		• 1	Label		1230		• 1	Contact block	
	1079 9911 01		CSA/UL			1089 9436 07		Trafo	
1040		• 1	Label			1089 9436 08		IEC	
	1079 9922 74		CSA/UL			1089 9436 11	• 1	CSA/UL	
1045	1088 0031 02	• 1	Connector		1240	1089 9436 11	• 1	Trafo	
1046	1088 0031 03	• 2	Connector		1250		• 1	Relay	
1050	1088 0031 07	• 1	Connector			1089 9438 02		IEC	
1060	1088 0031 12	• 1	Connector			1089 9438 03		CSA/UL	
1070	1088 0031 13	• 1	Connector		1260		• 1	Data plate	
						1613 6639 00		IEC	
						1614 8949 00		CSA/UL	
					1270	9823 1897 32	• 1	Label	
					1290	1621 4047 00	• 1	Mounting plate	

19

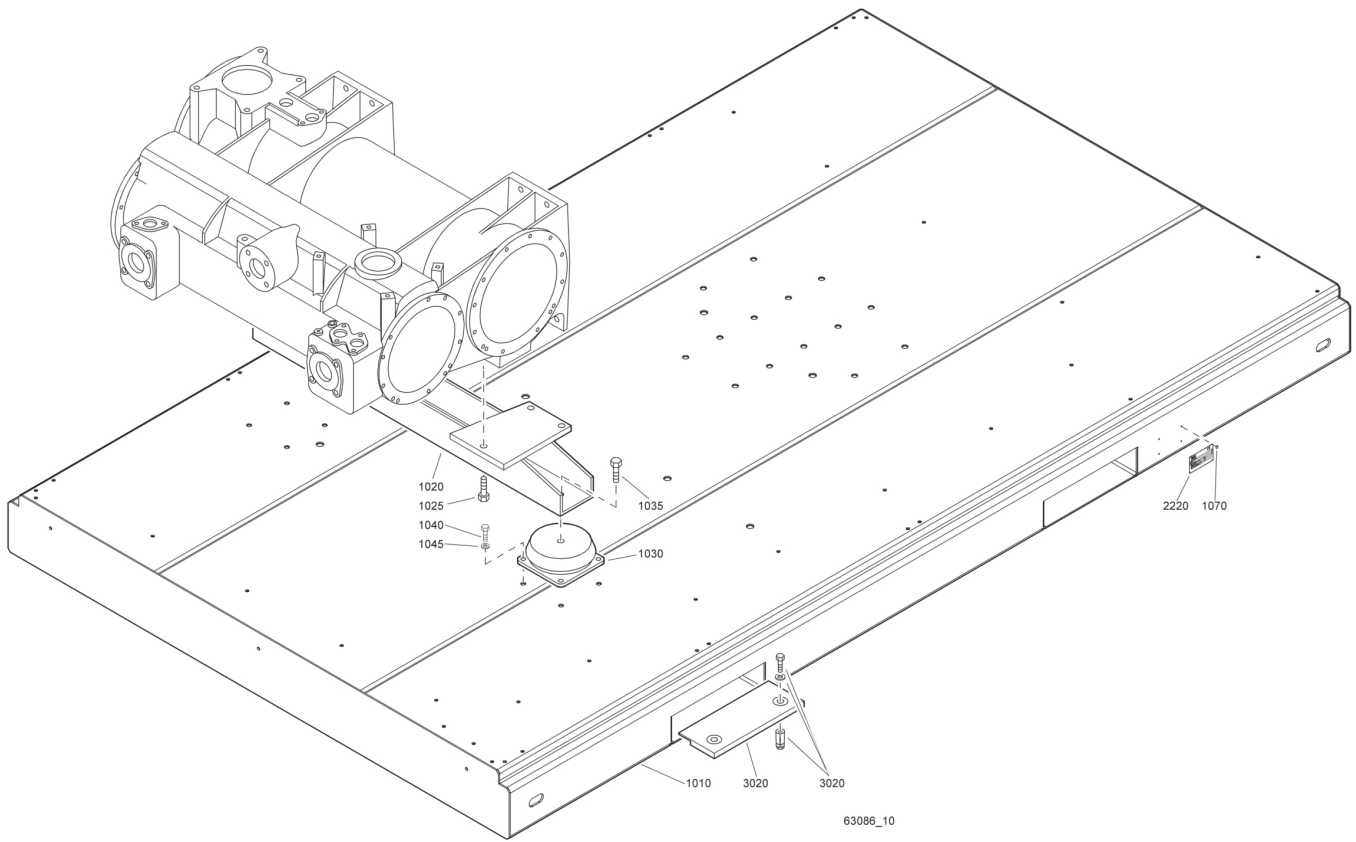


63085_10

Bodywork - Cubicle box

Ref.	Part number	Qty	Name	Remarks	Ref.	Part number	Qty	Name	Remarks
1030	1621 0607 00	3	Hinge		6370		1	Label	
	1621 7970 80	1	Cubicle			1613 3431 00	1	CSA/UL	
2010	1621 5578 00	1	Cubicle		6500		1	Flange	
2040	1202 6584 00	52	Seal			1614 7146 00	1	CSA/UL	
2050	1621 2538 00	3	Hinge		6510		1	Gasket	
2060	0160 6105 00	6	Screw			1614 7145 00	1	CSA/UL	
2070	1621 2547 00	3	Hinge		6520		6	Bolt	
2080	0216 1204 00	6	Screw			0147 1323 03	6	CSA/UL	
2090	0261 1107 00	6	Nut		6530		12	Washer	
2100	0335 3106 00	3	Retaining ring			0301 2335 00	12	CSA/UL	
	1621 5141 80	1	Door		6540		6	Hexagon nut	
3010	1621 5141 00	1	Door			0266 2110 00	6	CSA/UL	
3020	0111 1313 00	2	Split pin		6550		1	Flange	
3030	0989 4220 07	2	Grommet			1088 0412 06	1	CSA/UL	
3040	1621 2596 00	1	Handgrip		6560		1	Gasket	
3050	1619 7704 00	3	Lock			1088 0497 06	1	CSA/UL	
4010	1089 0598 03	2	Filter		6570		4	Bolt	
5360		1	Fan			0147 1323 03	4	CSA/UL	
	1089 0598 02		CSA/UL		6571		4	Lock washer	
	1089 9567 06		IEC			0333 3227 00	4	CSA/UL	
5365	1089 9567 03	1	Filter		6572		8	Washer	
5382	1088 1305 02	2	Push mount			0301 2335 00	8	CSA/UL	
	1900 3151 90	1	Option Cubicle fan		6580		4	Hexagon nut	
6005	1088 1001 04	1	Warning mark			0266 2110 00	4	CSA/UL	
6006	1079 9901 29	1	Label		6599		4	Blind rivet	
6030	0147 1557 03	8	Bolt			0129 3271 03	4	CSA/UL	
6035	0301 2394 00	8	Washer		7010		1	Cable box	
6040	0266 2116 00	8	Nut			1621 1235 00	1	50Hz Medium Voltage	
6050	1614 8130 00	1	Nipple		7040		1	Seal	
6060		1	Nipple			1615 6567 00	1	50Hz Medium Voltage	
	1619 6032 05		IEC High Voltlage		7050		6	Bolt	
	1619 6032 01		CSA/UL High Voltlage			0147 1322 03	6	50Hz Medium Voltage	
6205		1	Listing mark		7060		6	Washer	
	1613 5330 00		CSA/UL			0301 2335 00	6	50Hz Medium Voltage	
6210	1619 2766 00	6	Bolt		7080		1	Plate	
6215	0266 2110 00	2	Hexagon nut			1621 1309 00	1	50Hz Medium Voltage	
6220	0301 2335 00	4	Washer		7090		2	Bolt	
6300		1	Screen			0147 1322 03	2	50Hz Medium Voltage	
	1621 5800 00		50Hz Medium Voltage		7100		2	Washer	
	1621 4089 00		60Hz Medium Voltage			0301 2335 00	2	50Hz Medium Voltage	
6310		1	Support		7110		4	Clamp	
	1621 5813 00		50Hz Medium Voltage			1614 6562 00	4	50Hz Medium Voltage	
	1621 4061 00		60Hz Medium Voltage		7120		4	Clamp	
6320		2	Bolt			1614 6563 00	4	50Hz Medium Voltage	
	1619 2766 00		50Hz Medium Voltage		7150		8	Bolt	
	1619 2766 00		60Hz Medium Voltage			0147 1961 27	8	50Hz Medium Voltage	
6330		4	Knurled nut		7160		8	Washer	
	1614 6596 00		50Hz Medium Voltage			0301 2321 00	8	50Hz Medium Voltage	
	1614 6596 00		60Hz Medium Voltage		7170		8	Nut	
6340		1	Label			0266 2108 00	8	50Hz Medium Voltage	
	1079 9901 67		50Hz Medium Voltage						
	1079 9901 67		60Hz Medium Voltage						

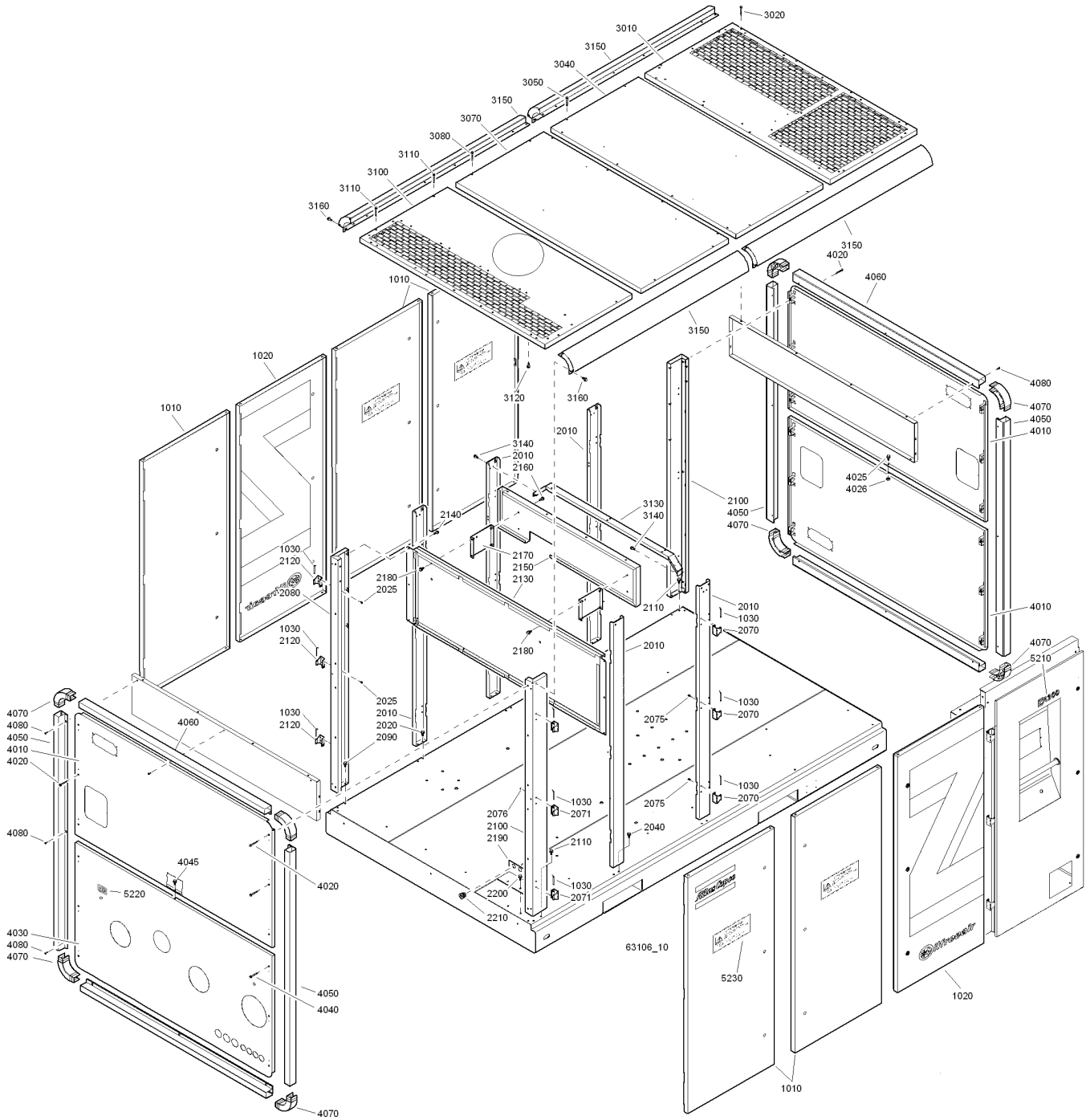
20



Bodywork - Mountings on frame

Ref.	Part number	Qty	Name	Remarks	Ref.	Part number	Qty	Name	Remarks
1010	1621 4971 00	1	Frame		1060	0147 1561 03	2	Bolt	
1020	1621 6044 00	1	Support		1070	0244 4184 00	4	Drive screw	
1025	0147 1478 03	6	Bolt		2220		1	Data plate	
1030	1619 3941 00	2	Rubber damper			1614 8057 05		ASME	
1035	0147 1550 03	2	Bolt			1614 8057 08		CE	
1040	0147 1400 03	8	Bolt			1091 6096 00		CHINA	
1045	0301 2358 00	8	Washer			1614 8057 05		DIR	
1055	1621 0199 04	2	Spacer						

21

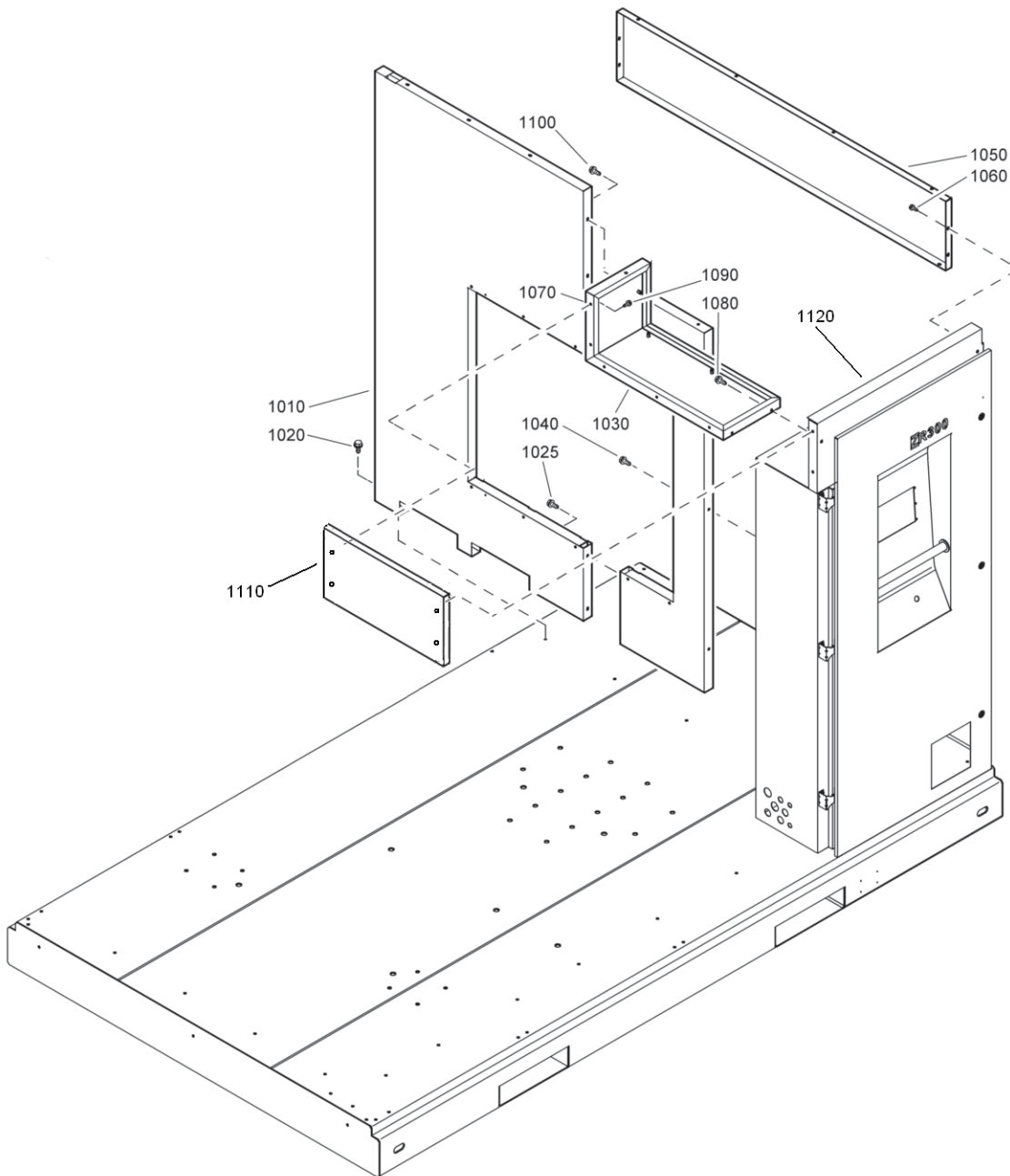


Bodywork - Doors and stays

Ref.	Part number	Qty	Name	Remarks	Ref.	Part number	Qty	Name	Remarks
1010	1621 5115 80	5	Door assembly 1)		3080	1619 2766 02	4	Bolt	
		• 1	Door		3085	1619 2766 02	3	Bolt	
	2252 7237 00	• 3	Doorlock		3090	1619 2766 00	2	Bolt	
1020	1092 1603 25	2	Door	1)	3100	1092 1618 80	1	Roof	3)
		• 1	Door		3110	1619 2766 02	12	Bolt	
	2252 7237 00	• 3	Doorlock		3120	1619 2766 00	4	Bolt	
1030	1621 0607 00	21	Hinge		3130	1092 1602 79	1	Stay	
2010	1621 5128 00	5	Stay		3140	1619 2766 00	4	Bolt	
2020	1619 2766 00	8	Bolt		3150	1621 5105 00	4	Beam	
					3160	1619 2766 00	12	Bolt	
2040	1619 2766 00	2	Bolt		4010	1621 5204 80	3	Panel	
					4020	1619 2766 02	18	Bolt	
2070	1621 2538 00	6	Hinge		4025	0147 1322 03	1	Bolt	
2071	1621 2538 00	3	Hinge		4026	0261 2110 00	1	Hexagon nut	
2075	0160 6105 00	12	Screw		4030	1092 1619 80	1	Panel	4)
2076	0160 6105 00	6	Screw		4040	1619 2766 02	6	Bolt	
2080	1621 5160 00	1	Stay		4045	1619 2766 00	1	Bolt	
2090	1619 2766 00	3	Bolt		4050	1621 5735 00	4	Profile	
2100	1621 5159 00	2	Stay		4060	1621 5736 00	4	Profile	
2110	1619 2766 00	6	Bolt		4070	1621 2544 00	8	Profile	
2120	1621 2538 00	9	Hinge		4080	0226 0300 16	24	Tapping screw	
2125	0160 6105 00	18	Screw		5210		2	Label	
2130	1621 5206 80	1	Baffle	2)		1621 5251 00		ZR 300	
2140	1619 2766 00	4	Bolt			1621 5251 01		ZR 315	
2150	1621 5205 80	1	Baffle	1)		1621 5251 02		ZR 355	
2160	1079 1472 05	4	Bolt			1621 5251 03		ZR 400	
2170	1621 5207 00	2	Bracket			1621 5251 04		ZR 425	
2180	1079 1472 05	4	Bolt		5220	1092 1602 40	1	Label	
2190	1092 0005 74	1	Support		5230	1092 1602 41	4	Lable	
2200	1619 2766 00	2	Bolt						
2210	0581 0000 86	4	Pipe coupling		1-4)	Lined with / Bekleed met / Beklädd med / Ausgekleidet mit / Garnir de / Rivestido de / Allineato con / Foret med / Revestido com / Kledd med / Vuorattu :			
2300	1619 2766 00	4	Bolt			1) Foam: 0395 6001 69 (AR) 50 x 2040 x 1650 - Self adhesive			
3010	1621 5155 80	1	Roof assy	3)		2) Foam: 0395 6001 67 (AR) 30 x 2040 x 1650 - Self adhesive			
3020	1619 2766 02	8	Bolt			3) Foam: 0395 6001 68 (AR) 40 x 2040 x 1650 - Self adhesive			
3040	1621 5157 80	1	Roof	3)		4) Foam: 0395 6001 59 (AR) 30 x 2040 x 1650			
3050	1619 2766 02	4	Bolt						
3055	1619 2766 02	3	Bolt						
3060	1619 2766 00	3	Bolt						
3070	1621 5157 80	1	Roof	3)					

22

Bodywork - Motor baffles - No Separate air inlet



63114_10

Ref.	Part number	Qty	Name	Remarks	Ref.	Part number	Qty	Name	Remarks
1010	1621 5209 80	1	Baffle	1)	1080	1619 2766 00	2	Bolt	
	1202 6584 00 ●	4	Seal		1090	1079 1472 05	3	Bolt	
	1202 6584 00 ●	4	Seal		1100	1619 2766 02	1	Bolt	
1020	1619 2766 00	3	Bolt		1110	1092 1602 88	1	Plate	
1025	1079 1472 05	7	Bolt		1120	1621 5274 80	1	Panel	
1030	1621 5210 80	1	Baffle	1)	1)	Lined with / Bekleed met / Beklädd med / Ausgekleidet mit / Garnir de / Rivestido de / Allineato con / Foret med / Revestido com / Kledd med / Vuorattu : Foam: 0395 6001 69 (AR) 50 x 2040 x 1650 - Self adhesive			
1040	1619 2766 00	4	Bolt						
1050	1621 5114 00	2	Stay						
1060	1619 2766 00	8	Bolt						
1070	1621 5211 80	1	Baffle	1)					

Service kits

Ref.	Part number	Qty	Name	Remarks	Ref.	Part number	Qty	Name	Remarks
	2906 0187 00	1	Check valve kit			2906 0439 00	1	HP compressor element exchange kit	
	2900 0925 00	• 1	Spring			0634 1000 26	• 1	Rubber insert pipe coupling	
	2900 0927 00	• 2	Washer			0661 1000 25	• 2	Seal washer	
	2900 1080 00	• 2	Pin			0663 2103 22	• 1	O-ring	
	2900 1090 00	• 4	Bearing			0663 2107 33	• 1	O-ring	
	2900 1092 00	• 2	Sleeve			0663 2107 81	• 1	O-ring	
						0663 2107 89	• 1	O-ring	
	2906 0314 00	1	Intercooler drain valve kit			0663 2108 60	• 3	O-ring	
	0661 1000 25	• 1	Seal washer			0663 2108 62	• 3	O-ring	
	0663 2107 82	• 1	O-ring			9125 6303 00	• 1	Seal washer	
	0663 2107 85	• 1	O-ring						
	1202 3739 00	• 1	Membrane			2906 0441 00	1	Oilpump kit	
	1202 4818 00	• 1	Insert			0102 0335 00	• 1	Pin	
						0663 2107 76	• 1	O-ring	
	2906 0380 00	1	Aftercooler drain valve kit			1616 6231 02	• 1	Distance ring	
	0661 1000 25	• 1	Seal washer			1616 6232 03	• 1	Eccentric ring	
	0663 2107 82	• 1	O-ring			1616 6233 03	• 1	Pump element	
	0663 2107 85	• 1	O-ring			1616 6296 00	• 1	Key	
	1202 3739 00	• 1	Membrane						
	1614 7735 00	• 1	Insert			2906 0442 00	1	Inlet valve service kit	
						0663 2108 37	• 1	O-ring	
	2906 0432 00	1	Seal washer kit			0663 2108 37	• 1	O-ring	
	0653 1041 00	• 6	Gasket			0663 2108 64	• 2	O-ring	
	0653 1062 00	• 8	Gasket			1621 1663 00	• 1	Diaphragm	
	0653 1100 00	• 3	Gasket			1621 1715 00	• 1	Membrane	
	0653 1124 00	• 6	Gasket			1621 1716 00	• 1	Membrane	
	0653 1254 00	• 4	Gasket						
	0653 1293 00	• 5	Gasket			2906 0443 00	1	Inlet valve bearing block kit	
	0661 1000 24	• 4	Seal washer			2253 7396 00	• 1	Bearing block	
	0661 1000 25	• 15	Seal washer			2255 0038 00	• 1	Lock nut	
	0661 1000 26	• 8	Seal washer			2255 0148 00	• 1	Shaft	
	0661 1000 27	• 12	Seal washer			2255 1182 00	• 2	Washer	
	0661 1000 29	• 4	Seal washer						
	0661 1000 30	• 5	Seal washer			2906 0444 00	1	Inlet valve overhaul kit	
	0661 1000 31	• 5	Seal washer			0266 2112 00	• 2	Nut	
	0661 1000 32	• 2	Seal washer			0335 1104 21	• 1	Circlip	
	0661 1000 33	• 3	Seal washer			0502 7404 00	• 1	Bearing	
						0508 1154 00	• 1	Bearing	
	2906 0438 00	1	LP compressor element exchange kit			0661 1000 25	• 4	Washer	
	0634 1000 26	• 2	Rubber insert pipe coupling			0663 2108 58	• 1	O-ring	
	0661 1000 25	• 6	Seal washer			0663 2108 65	• 1	O-ring	
	0661 1000 27	• 2	Seal washer			0663 2108 66	• 1	O-ring	
	0661 1000 32	• 2	Seal washer			1202 8866 00	• 1	Shaft	
	0663 2102 64	• 1	O-ring			1619 6151 00	• 2	Bearing	
	0663 2103 26	• 1	O-ring			1621 6332 00	• 1	Gasket	
	0663 2107 75	• 2	O-ring			2102 0836 00	• 1	Spring	
	0663 2108 08	• 2	O-ring			2253 7390 00	• 2	Seal	
	0663 2108 58	• 1	O-ring			2253 7391 00	• 2	Washer	
	0663 2108 62	• 1	O-ring			2253 7393 00	• 2	Washer	
	0663 2108 65	• 1	O-ring			2906 0442 00	1	Inlet valve service kit	
	0663 2108 66	• 1	O-ring			2906 0443 00	1	Inlet valve bearing block kit	
	1202 6969 00	• 1	Gasket						
	9125 6303 00	• 1	Seal washer						

23

Ref.	Part number	Qty	Name	Remarks	Ref.	Part number	Qty	Name	Remarks
	2906 0445 00	1	Air/oil filter kit			2906 0454 00	1	HP discharge silencer kit	
	0661 1000 25 •	1	Seal washer			0663 2107 33 •	4	O-ring	
	0661 1000 31 •	1	Seal washer			0663 2107 79 •	1	O-ring	
	0663 2107 84 •	1	O-ring			0663 2108 49 •	2	O-ring	
	1621 5742 99 •	3	Air filter element			0663 2108 50 •	1	O-ring	
	1614 8673 00 •	1	Oil filter element			1621 6153 00 •	1	Glass wool	
	2901 0195 00 •	1	Gearcase breather filter			1621 6360 00 •	1	Insert	
	9090 0508 00 •	1	Damper						
	1614 8747 99 •	2	Oil filter			2906 0486 00	1	Gearcasing seal kit	
	2906 0446 00	1	Intercooler service kit (standard version, energy recovery, hot air)			0661 1000 29 •	1	Seal	
	0101 2274 00 •	1	Pin			0661 1000 30 •	1	Seal	
	0661 1000 25 •	2	Seal washer			0661 1000 31 •	4	Seal	
	0663 2107 61 •	2	O-ring			0663 2102 64 •	2	O-ring	
	0663 2107 62 •	1	O-ring			0663 2104 37 •	4	O-ring	
	0663 2107 63 •	2	O-ring			0663 2106 18 •	1	O-ring	
	0663 2108 42 •	1	O-ring			0663 2106 84 •	1	O-ring	
	0663 2108 60 •	3	O-ring			0663 2107 81 •	3	O-ring	
	0686 3716 01 •	2	Drain plug			0663 2108 08 •	6	O-ring	
	1621 3063 00 •	2	Ring			2906 0623 00	1	Drive shaft sealing kit	
	2906 0447 00	1	Aftercooler service kit (standard version, energy recovery, hot air)			0663 2107 52 •	1	O-ring	
	0661 1000 25 •	2	Seal washer			0663 2107 76 •	1	O-ring	
	0663 2106 20 •	2	O-ring			1621 4067 00 •	1	Bush	
	0663 2107 94 •	1	O-ring			2250 8191 00 •	1	Spring wave	
	0663 2108 38 •	1	O-ring			2250 8193 00 •	1	Seal ring	
	0663 2108 39 •	2	O-ring			2906 0449 00	1	A-maintenance kit	
	0663 2108 47 •	1	O-ring			0661 1000 27 •	2	Gasket	
	0663 2108 48 •	2	O-ring			2906 0314 00	1	Intercooler drain valve kit	
	0663 2108 66 •	1	O-ring			2906 0380 00	1	Aftercooler drain valve kit	
	0686 3716 01 •	2	Drain plug			2906 0445 00	1	Air/oil filter kit	
	1621 3063 00 •	2	Ring			8204 0940 34 •	1	Intercooler drain check valve	
	2906 0448 00	1	Cooler cleaning kit (standard version, energy recovery, hot air)			2906 0450 00	1	B-maintenance kit	
	0661 1000 25 •	1	Seal washer			0663 2106 20 •	2	O-ring check valve	
	0661 1000 27 •	4	Seal washer			2906 0442 00	1	Inlet valve service kit	
	0661 1000 32 •	2	Seal washer			2906 0443 00	1	Inlet valve bearing block kit	
	0663 2106 18 •	1	O-ring (hot air version)			2906 0449 00	1	A-maintenance kit	
	0663 2107 25 •	1	O-ring			2906 0451 00	1	C-maintenance kit for ZR300, ZR 315, ZR 355/60 Hz	
	0663 2107 39 •	1	O-ring (hot air version)			0663 2106 20 •	2	O-ring check valve	
	0663 2107 74 •	1	O-ring			1616 5824 00 •	1	HP balance piston diaphragm	
	0663 2108 08 •	8	O-ring			1619 6467 04 •	1	Drive coupling rubber set	
	0663 7141 00 •	1	O-ring (E.R)			1621 0083 00 •	2	Muffler	
	1621 6315 00 •	4	Seal gasket			2253 7858 00 •	1	LP balance piston diaphragm	
	1621 6316 00 •	4	Seal gasket			2906 0187 00	1	Check valve kit	
	2906 0446 00	1	Intercooler service kit			2906 0444 00	1	Inlet valve overhaul kit	
	2906 0447 00	1	Aftercooler service kit			2906 0449 00	1	A-maintenance kit	
	2906 0453 00	1	Drive shaft bearing kit			2906 0452 00	1	C-maintenance kit (for ZR400, ZR 425, ZR 355/50 Hz, ZR355 HV)	
	0335 1165 00 •	1	Circlip			0663 2106 20 •	2	O-ring check valve	
	0335 2184 00 •	1	Circlip			1616 5824 00 •	1	HP balance piston diaphragm	
	0506 0100 13 •	1	Roller bearing			1619 6467 06 •	1	Drive coupling rubber set	
	0508 1100 70 •	1	Roller bearing			1621 0083 00 •	2	Muffler	
	0663 2107 52 •	1	O-ring			2253 7858 00 •	1	LP balance piston diaphragm	
						2906 0187 00	1	Check valve kit	
						2906 0444 00	1	Inlet valve overhaul kit	
						2906 0449 00	1	A-maintenance kit	

Notes:

A series of horizontal dotted lines for taking notes.